

DC to 40GHz 20dB Resistive Coupler FPC06881

www.knowlesc capacitors.com

DESCRIPTION

DLI brand high frequency surface mountable catalog resistive couplers utilize DLI's high dielectric ceramic materials to achieve small size and minimal performance variation over temperature. The components are well matched for monitoring incident and reflected power.

FEATURES

- Small Size
- Solder Surface Mount Package
- Moisture Sensitivity Level: MSL1
- Frequency Stable over Temperature
- Operating & Storage Temp: -55°C to +125°C
- Characteristic Impedance: 50Ω

Packaging and Ordering Information:
To request Tape and Reel packaging, please order part number FPC06881-T, see additional data on page 5.

SPECIFICATIONS*

Parameter	Frequency (GHz)	Min	Max
Passband Insertion Loss* (dB)	DC - 40	2.0	4.15
Passband Return Loss (dB)		10	
Coupling (dB)		17	23
CW Input Power** (W)			23
$\theta_{JC} \left(\frac{^{\circ}\text{C}}{\text{W}} \right)$	225		
Size (L x W x H)	0.060 x 0.088 x 0.010 in 1.52 x 2.24 x 0.254 mm		

*Electrical specifications based on typical mounted performance at room temperature. Insertion loss shall vary $\pm 0.5\text{dB}$ over temperature.

** Power rating assumes the component will be mounted to a PCB with good thermally conducting ground vias as outlined in the recommended PCB layout that are connected to an adequate heat sink. Max power is based on 85°C base temperature.



Information in this document is for informational and guideline purposes only. All information regarding the Product described in this datasheet is subject to change from time to time at Knowles Precision Devices' sole discretion. It is the customer's sole responsibility to evaluate the suitability of the Product in the customer's particular application. Knowles Precision Devices assumes no responsibility or liability for the use of the information contained within.

2777 Route 20 East, Cazenovia, NY 13035 | Ph.: (315)655-8710

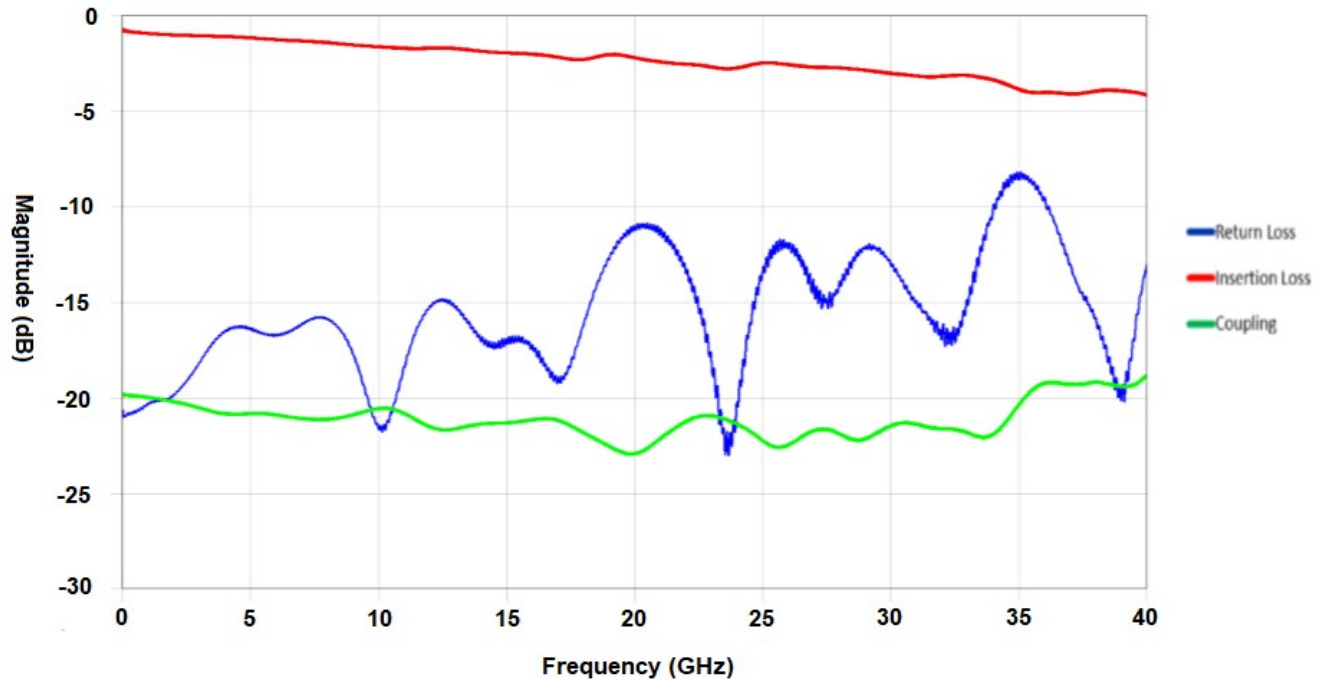
To Order Contact KCCSales@knowles.com | For Technical Inquiries Contact DLIengineering@knowles.com

DC to 40GHz 20dB Resistive Coupler

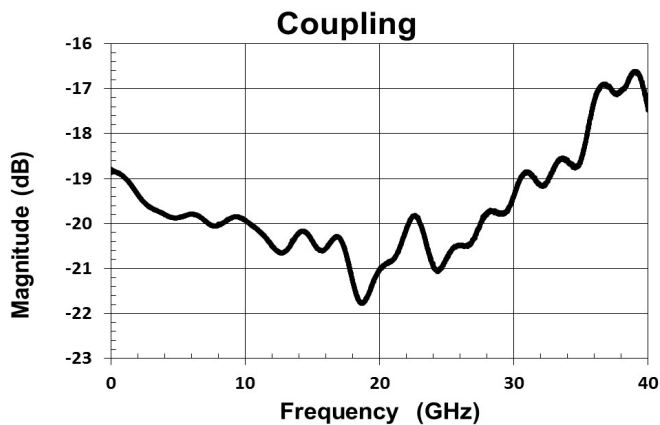
FPC06881

www.knowlesc capacitors.com

Typical Measured Performance



*Typical de-embedded measured performance mounted on a connectorized test fixture. DEB is 0.010in RO4350B with 50.00ohm CPW ground traces going into the ports at room temperature.



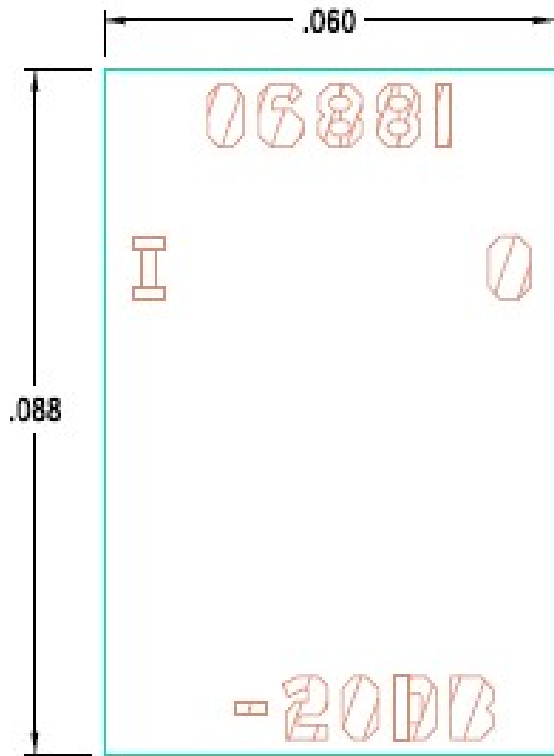
2777 Route 20 East, Cazenovia, NY 13035 | Ph.: (315)655-8710

To Order Contact KCCSales@knowles.com | For Technical Inquiries Contact DLengineering@knowles.com

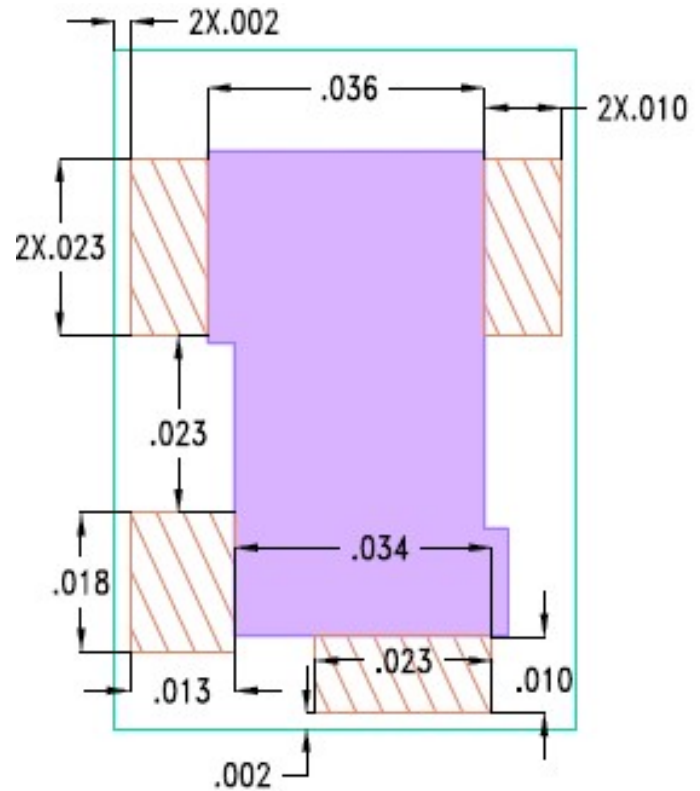
DC to 40GHz 20dB Resistive Coupler
FPC06881

Physical Dimensions

Units = inches

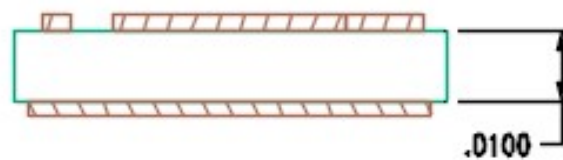


Top View



Bottom View

Side View



Notes :

1. Termination Finish:
ENIG: 3 - 6 μinch Au over 50 μinch Ni
2. Maximum Assembly Process Temperature: 250°C

Tolerances:

- For values with 3 decimal places ±0.001
- For values with 4 decimal places ±0.0005

2777 Route 20 East, Cazenovia, NY 13035 | Ph.: (315)655-8710

To Order Contact KCCSales@knowles.com | For Technical Inquiries Contact DLengineering@knowles.com

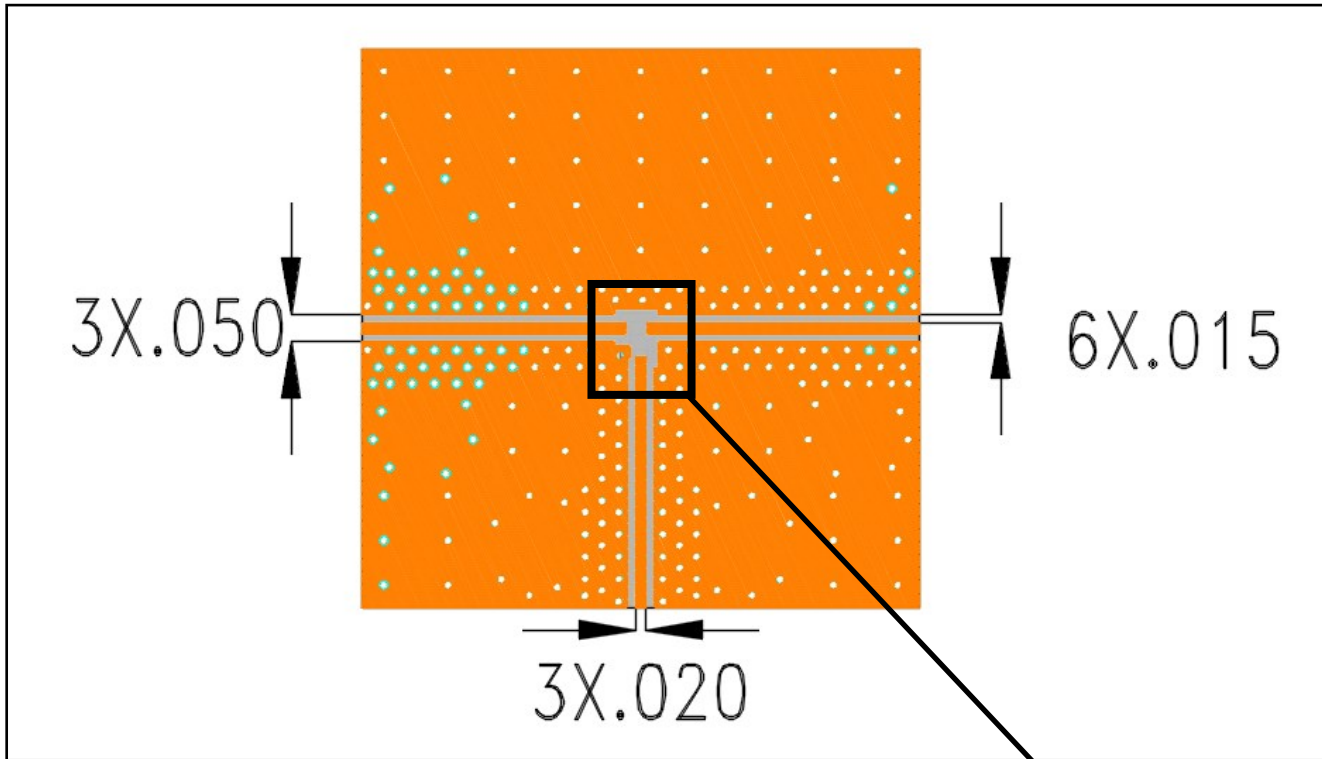
DC to 40GHz 20dB Resistive Coupler

FPC06881

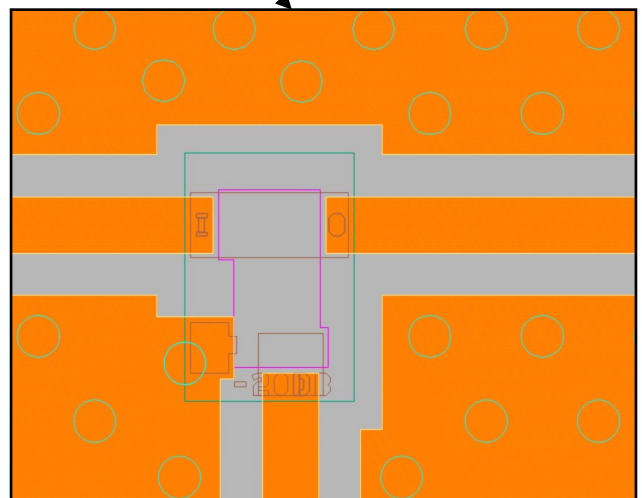
www.knowlescapacitors.com

Recommended PCB Layout (unit inch)

Units = inches



- 50Ω trace dimensions are application specific.
- 50Ω trace dimensions are designed for 10mil thick R04350B Rogers Board with 50 ohm GCPW:
 - 20 mil Copper Trace width
 - 15 mil spacing between trace and ground
 - 0.5 Oz / 0.5 Oz Copper, Plate Up
- Ensure adequate grounding beneath the part.
- Trace feed locations can be horizontal, vertical, or angled.



For further details and best practices, reference the **Microwave Products Guide**, available at: <https://www.knowlescapacitors.com/Support/Catalogs>

2777 Route 20 East, Cazenovia, NY 13035 | Ph.: (315)655-8710

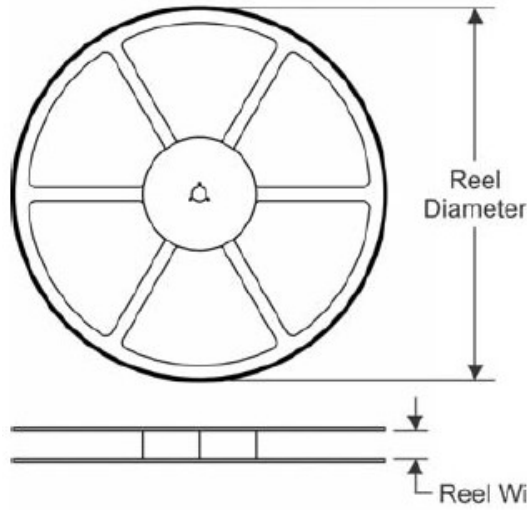
To Order Contact KCCSales@knowles.com | For Technical Inquiries Contact DLIengineering@knowles.com

DC to 40GHz 20dB Resistive Coupler
FPC06881

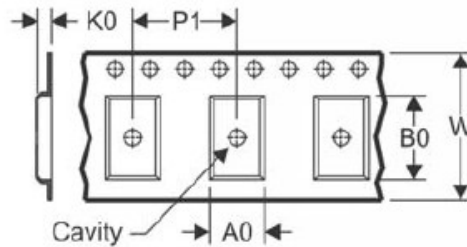
www.knowlesc capacitors.com

TAPE AND REEL INFORMATION

REEL DIMENSIONS

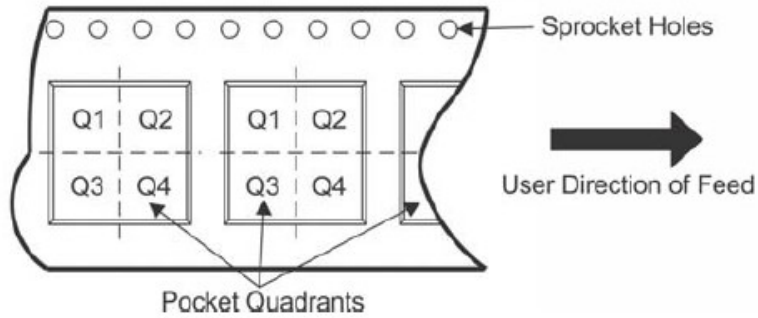


TAPE DIMENSIONS



A0	Dimension designed to accommodate the component width
B0	Dimension designed to accommodate the component length
K0	Dimension designed to accommodate the component thickness
W	Overall width of the carrier tape
P1	Pitch between successive cavity centers

QUADRANT ASSIGNMENTS FOR PIN 1 ORIENTATION IN TAPE



*All dimensions are nominal

Device	Package Type	Reel Diameter (mm)	Reel Width W1 (mm)	A0 (mm)	B0 (mm)	K0 (mm)	P1 (mm)	W (mm)	Pin1 Quadrant
FPC06881-T	SMD	180	8.4	1.9	2.4	0.6	4	8	Q1

2777 Route 20 East, Cazenovia, NY 13035 | Ph.: (315)655-8710

To Order Contact KCCSales@knowles.com | For Technical Inquiries Contact DLengineering@knowles.com