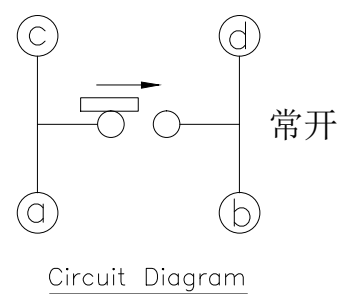
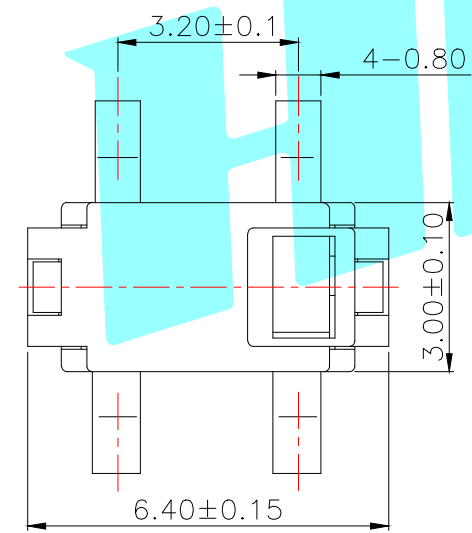
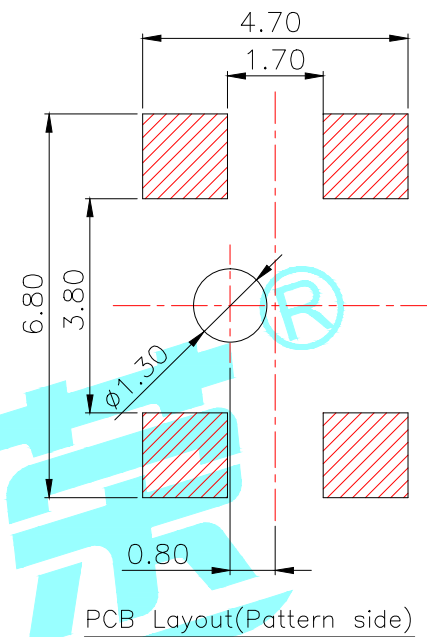
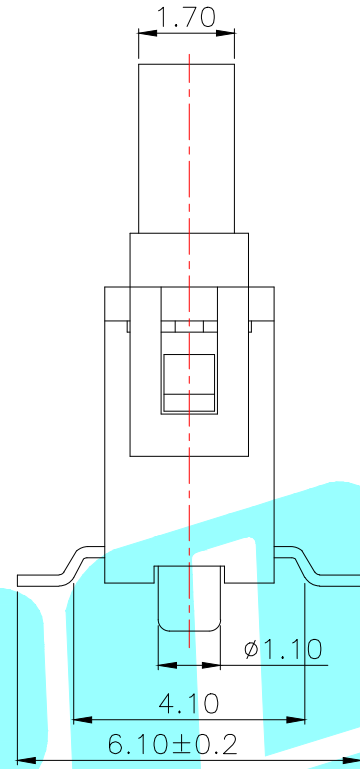
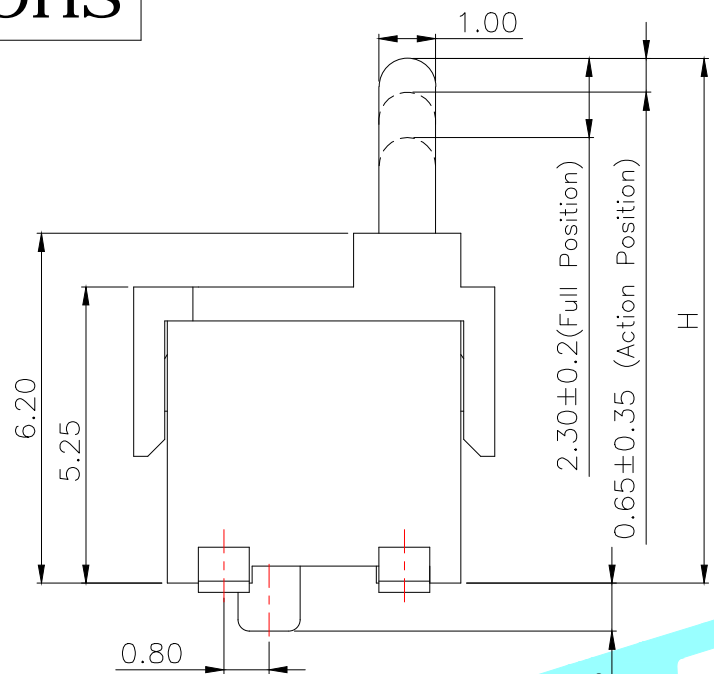


ROHS



| PART NO. | H |
|--------------|-----|
| K5-1130SA-K1 | 8.7 |
| K5-1130SA-K2 | 9.0 |
| K5-1130SA-K3 | 9.3 |
| K5-1130SA-K4 | 10 |
| K5-1130SA-K5 | 11 |

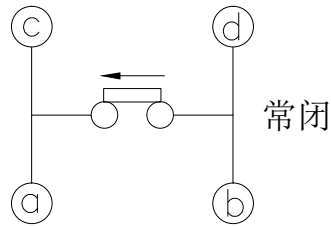
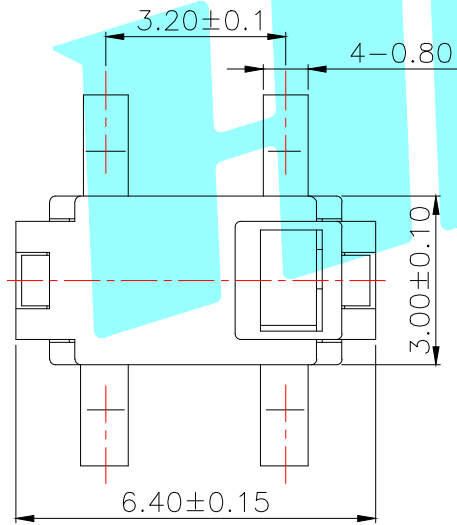
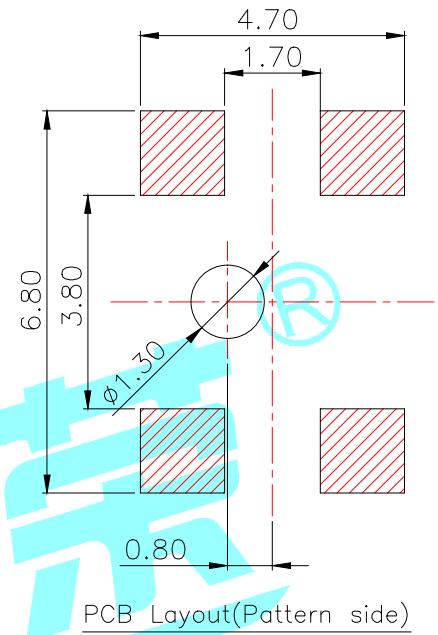
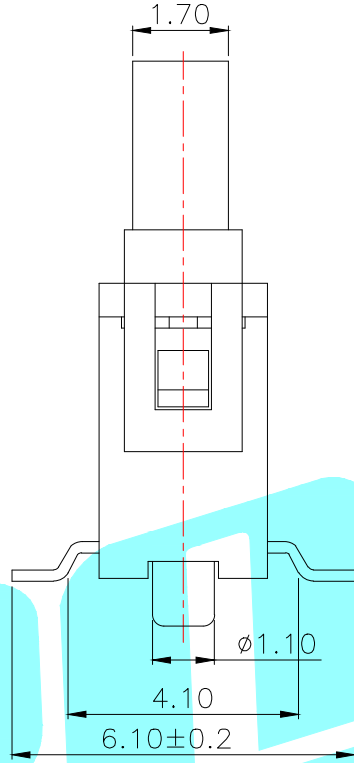
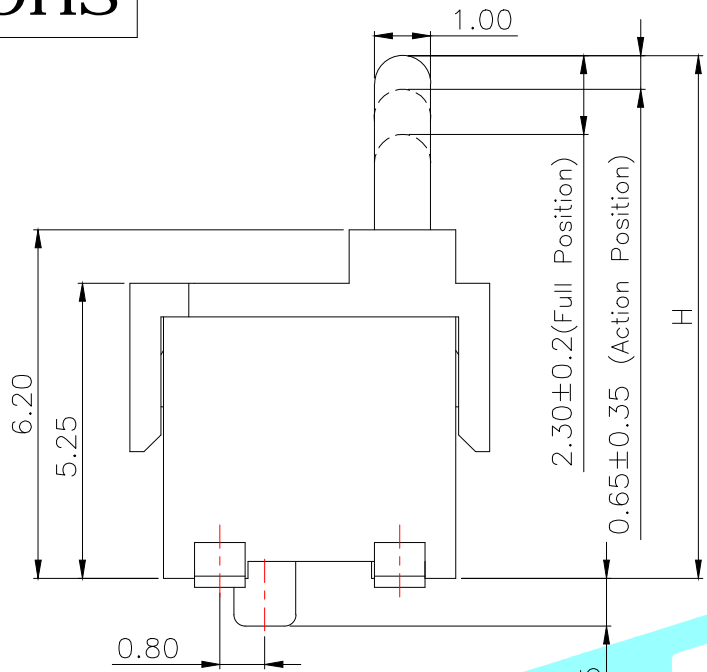
NOTE:
 Rating: DC 16V 1A
 Operating Force: 35±10gf
 Lifetime: 30,000 Cycles

| ITEM | PART NAME | TER'NO. | QTY. | MATERIAL | FINISHING | REMARK |
|------|----------------|---------|------|-----------------|-----------|--------|
| ⑤ | Contact Spring | — | 1 | Phosphor Bronze | Ag Plated | — |
| ④ | Terminal | — | 4 | Phosphor Bronze | Ag Plated | — |
| ③ | Base | — | 1 | NYLON | Black | — |
| ② | Cover | — | 1 | NYLON | Black | — |
| ① | Knob | — | 1 | NYLON | Black | — |

| APPROVALS | | DATE | HRO 韓路 ELECTRONICS CO.,LTD | | | | |
|----------------|--------|-------------------------------|----------------------------------|------------------|--------|-------------|--------------|
| DRAWN | LIUCAN | 2021.7.12 | TITLE: | DETECTOR SWITCHS | | | |
| CHECKED | | | PART NO. | K5-1130SA-K□ | | | |
| APPROVALS | | | UNIT: mm | SCALE: 1:1 | PROJ: | | |
| TOLERANCES ARE | | 30~以上 10~30 5~10 ~ 5 | ±0.30 ±0.20 ±0.15 ±0.10 | ANGLE | ±2' | DRAWING NO. | |
| ECN NO. | REV. | DATE. | DESCRIPTION. | CHANGE. | CHECK. | APPRO. | SHEET 1 OF 1 |

| ECN NO. | REV. | DATE. | DESCRIPTION. | CHANGE. | CHECK. | APPRO. |
|---------|------|-------|--------------|---------|--------|--------|
| — | A | — | NEW | — | — | — |

ROHS



Circuit Diagram

| PART NO. | H |
|--------------|-----|
| K5-1130SA-B1 | 8.7 |
| K5-1130SA-B2 | 9.0 |
| K5-1130SA-B3 | 9.3 |
| K5-1130SA-B4 | 10 |
| K5-1130SA-B5 | 11 |

NOTE:
 Rating: DC 16V 1A
 Operating Force: 35±10gf
 Lifetime: 30,000 Cycles

| ITEM | PART NAME | TER'NO. | QTY. | MATERIAL | FINISHING | REMARK |
|------|----------------|---------|------|-----------------|-----------|--------|
| ⑤ | Contact Spring | — | 1 | Phosphor Bronze | Ag Plated | — |
| ④ | Terminal | — | 4 | Phosphor Bronze | Ag Plated | — |
| ③ | Base | — | 1 | NYLON | Black | — |
| ② | Cover | — | 1 | NYLON | Black | — |
| ① | Knob | — | 1 | NYLON | Black | — |

| APPROVALS | | DATE | | HRO 韓泰® ELECTRONICS CO.,LTD | | |
|----------------|--------|-----------|--------------|--------------------------------|-------------------|--------|
| DRAWN | LIUCAN | 2021.7.12 | | TITLE: | DETECTOR SWITCHES | |
| CHECKED | | | | PART NO. | K5-1130SA-B□ | |
| APPROVALS | | | | UNIT: mm | SCALE: 1:1 | PROJ: |
| TOLERANCES ARE | | | 30~以上 ±0.30 | ANGLE | | |
| | | | 10~30 ±0.20 | | | |
| | | | 5~10 ±0.15 | | | |
| | | | ~ 5 ±0.10 | | | |
| ECN NO. | REV. | DATE. | DESCRIPTION. | CHANGE. | CHECK. | APPRO. |

| ECN NO. | REV. | DATE. | DESCRIPTION. | CHANGE. | CHECK. | APPRO. |
|---------|------|-------|--------------|---------|--------|--------|
| — | A | — | NEW | — | — | — |