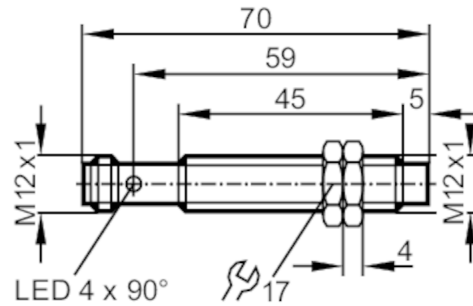


IF6030



Inductive analogue sensor

IFK4004A1PKG/IO/US



Product characteristics		
Housing		threaded type
Dimensions	[mm]	M12 x 1 / L = 70
Electrical data		
Operating voltage	[V]	15...30 DC
Current consumption	[mA]	< 20
Protection class		II
Reverse polarity protection		yes
Outputs		
Analogue current output	[mA]	4...20; (linear; gradient: 4,44 mA/mm; for frontal approach and for target made of mild steel: 12 x 12 x 1 mm)
Max. load	[Ω]	500
Short-circuit protection		yes
Overload protection		yes
Detection zone		
Measuring range	[mm]	0.4...4
Accuracy / deviations		
Correction factor		steel: 1 / stainless steel: 0.7 / brass: 0.5 / aluminium: 0.4 / copper: 0.3
Linearity error of analogue output	[%]	± 3 %; (of IA max)
Repeatability analogue output	[%]	± 2 %; (of IA max)
Response times		
Response time	[ms]	< 10
Operating conditions		
Ambient temperature	[°C]	-25...80
Protection		IP 67
Tests / approvals		
MTTF	[years]	216
Mechanical data		
Weight	[g]	34.9
Housing		threaded type

IF6030



Inductive analogue sensor

IFK4004A1PKG/IO/US

Mounting		non-flush mountable
Dimensions	[mm]	M12 x 1 / L = 70
Thread designation		M12 x 1
Materials		housing: brass white bronze coated; sensing face: PBT
Tightening torque	[Nm]	25

Displays / operating elements

Display	within the operating range	1 x LED, yellow lights
	outside the operating range	1 x LED, yellow flashing

Accessories

Items supplied	lock nuts: 2
----------------	--------------

Remarks

Pack quantity	1 pcs.
---------------	--------

Electrical connection - plug

Connector: 1 x M12; coding: A



Connection

