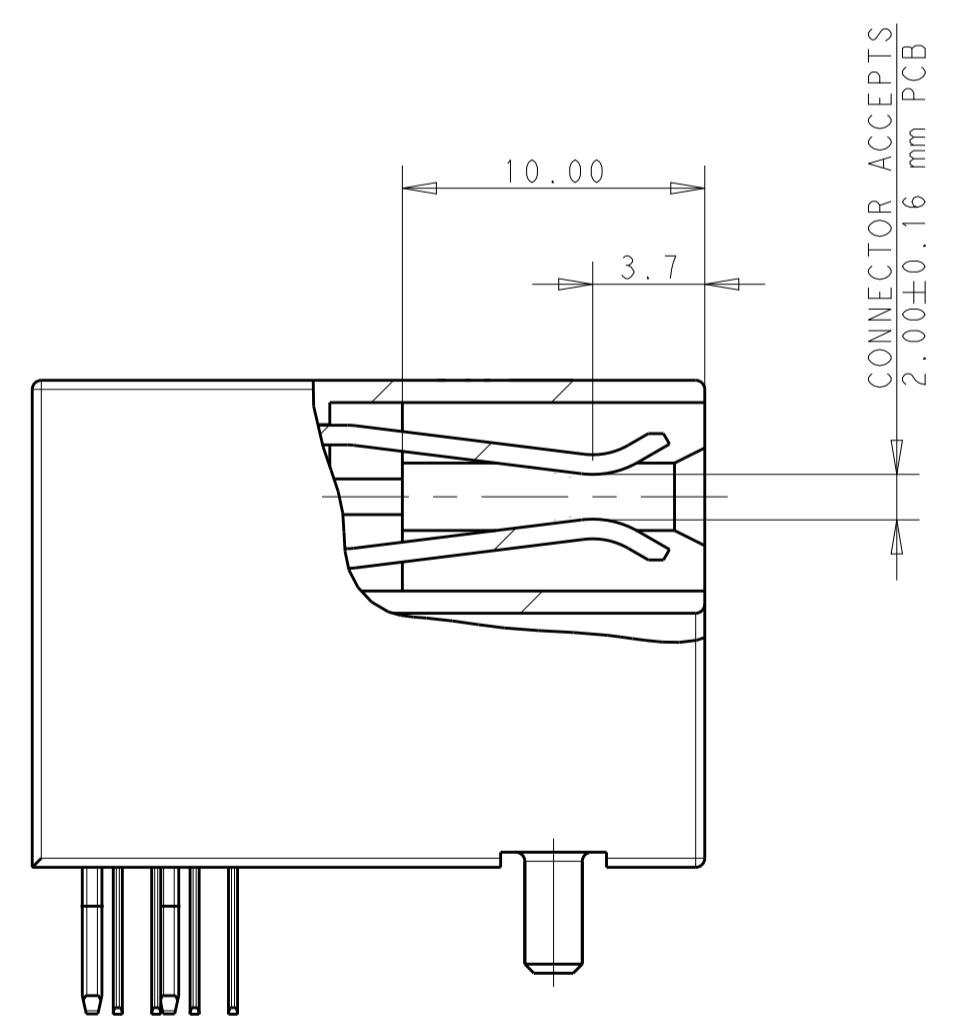
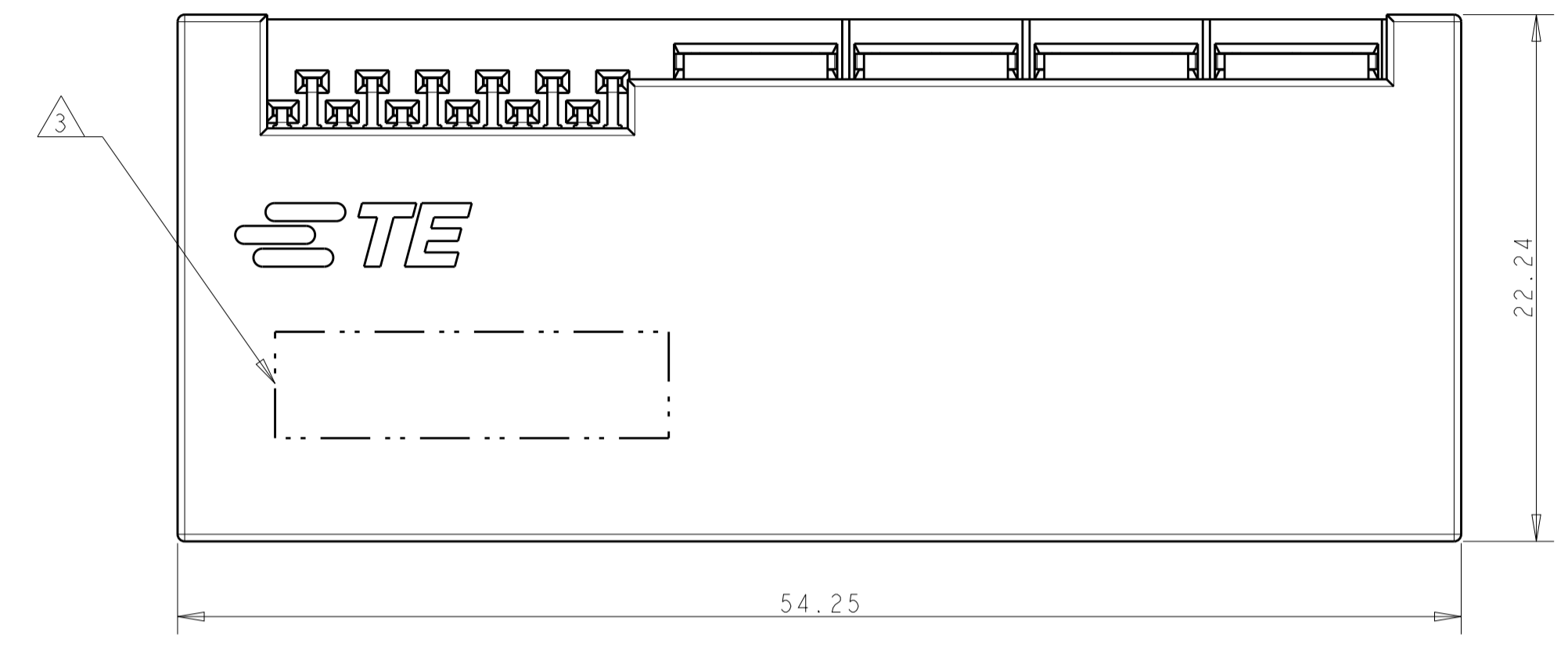
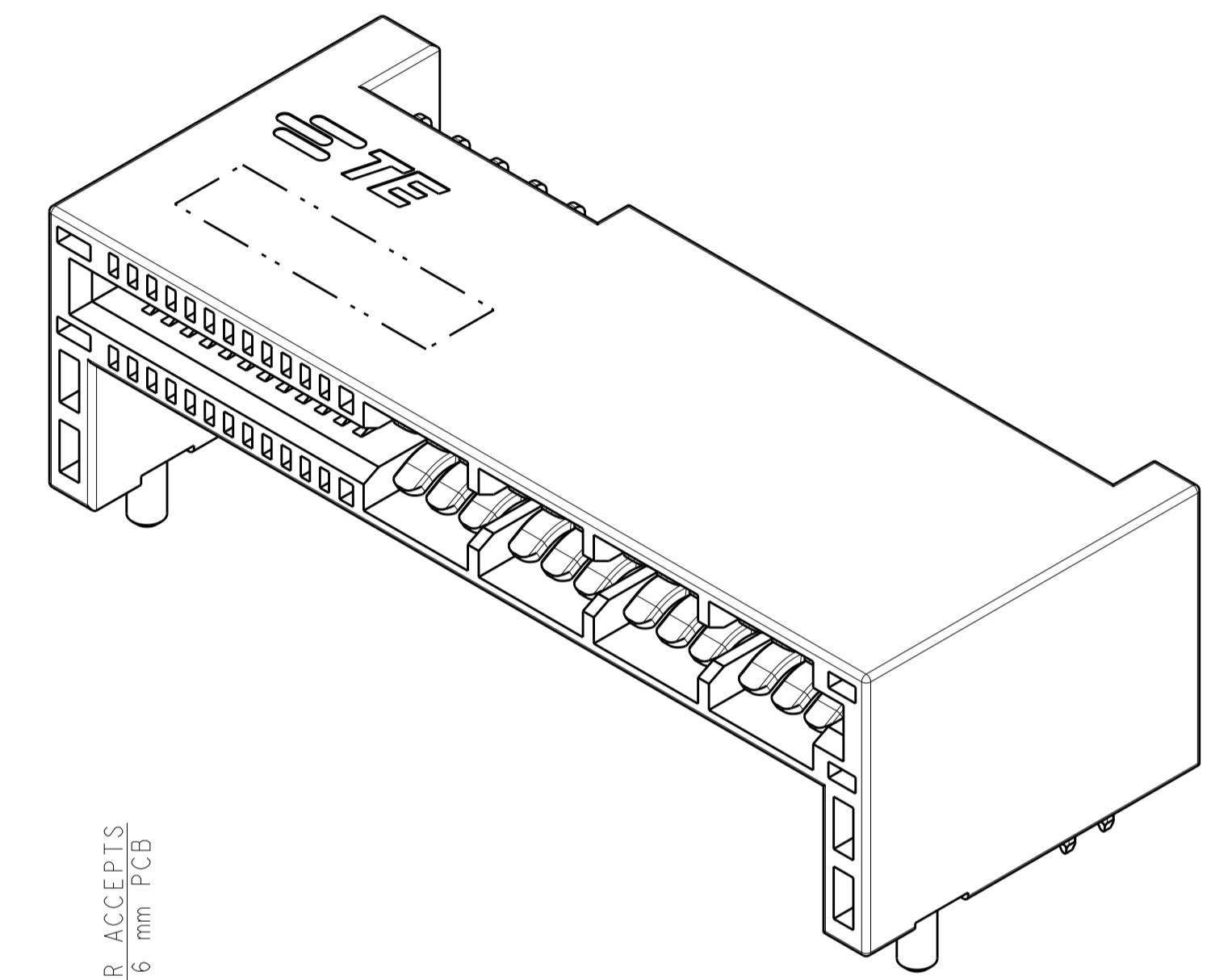
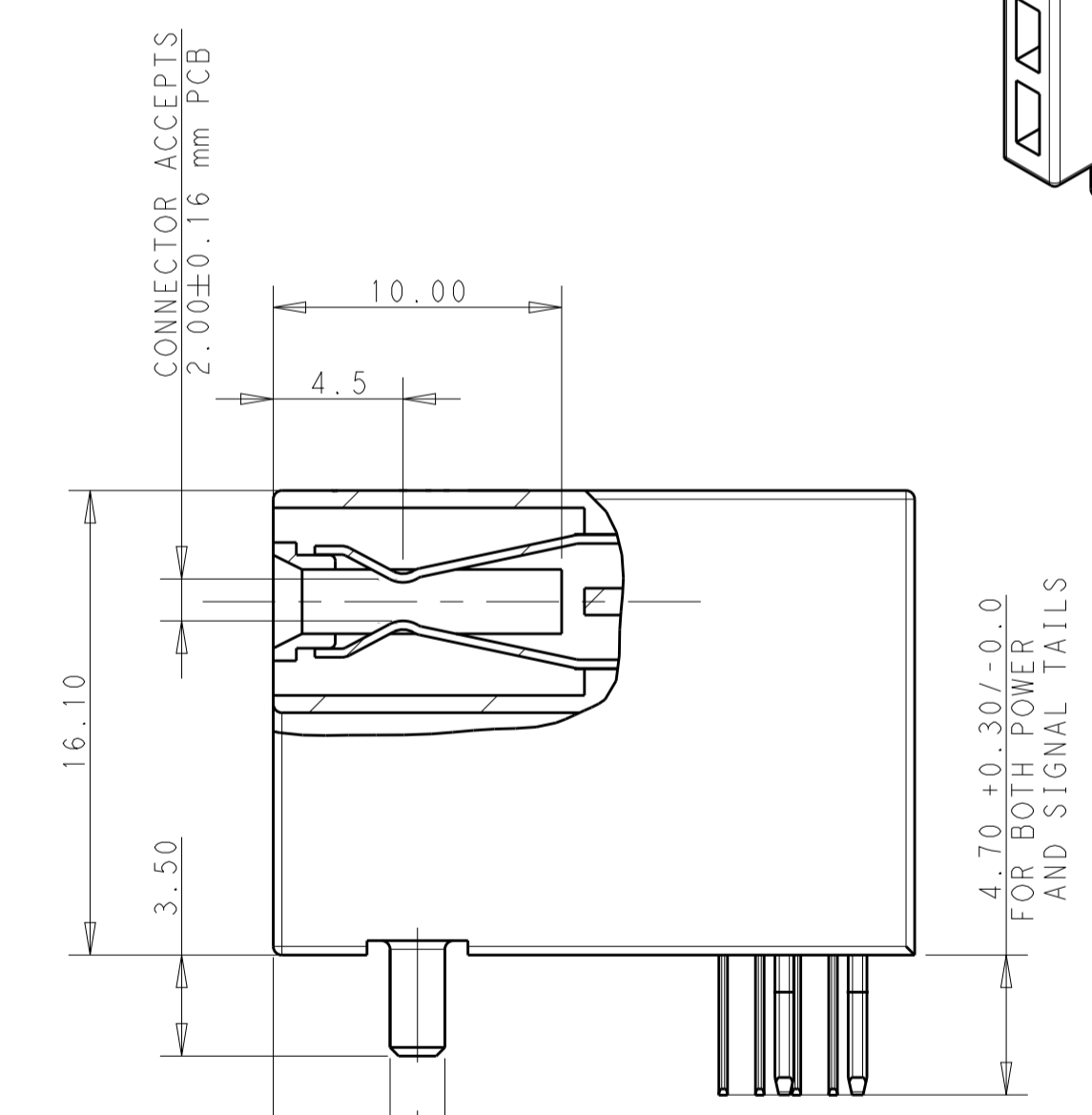
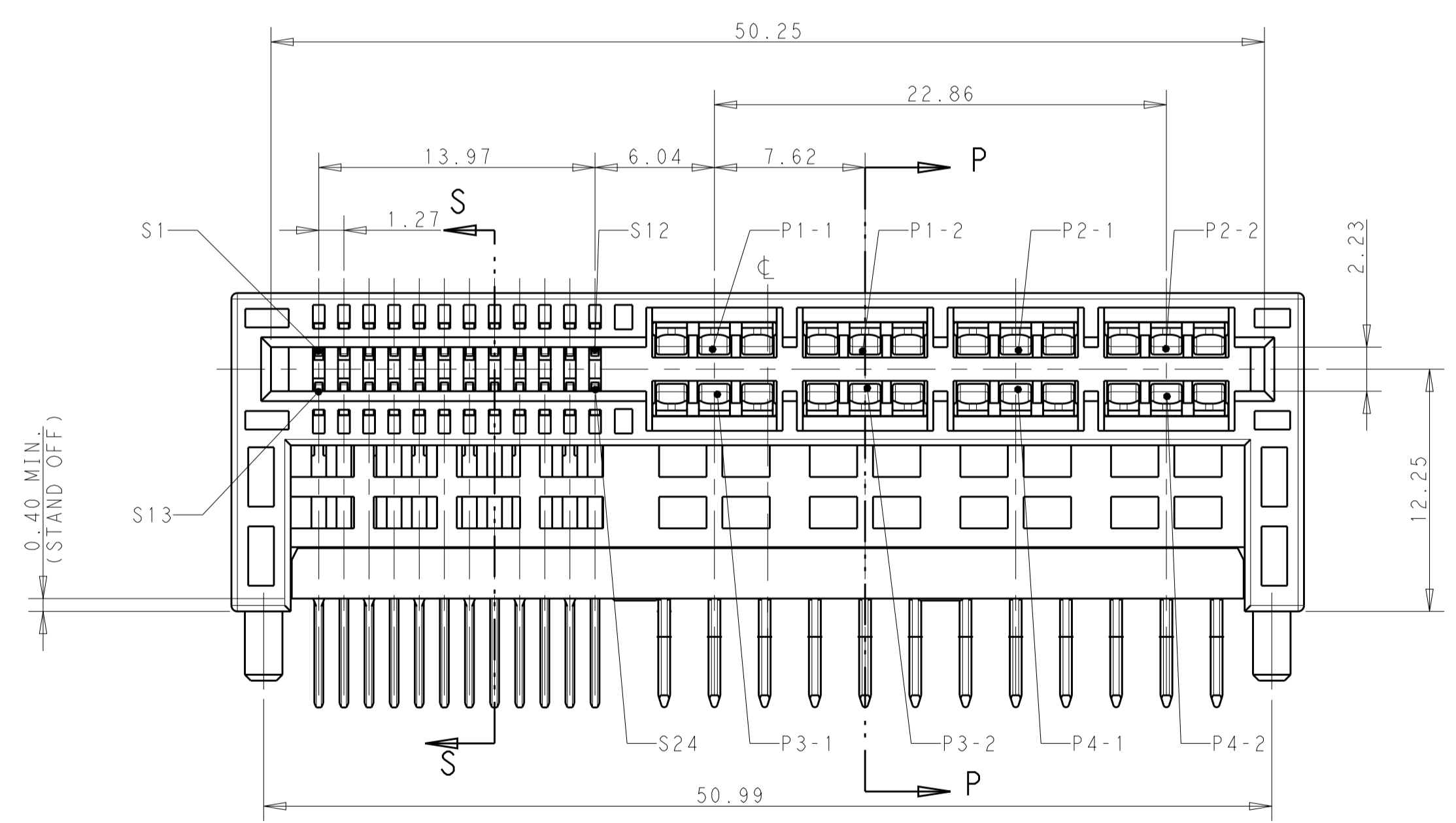


REVISIONS				
P	LTM	DESCRIPTION	DATE	APVD
A		FIRST RELEASE	18 JUN 2020	SZ SZ

- NOTES, UNLESS OTHERWISE SPECIFIED
- 1 MATERIAL:
    - HOUSING - THERMOPLASTIC, GLASS PREINFORCED, COLOR, BLACK, UL 94V-0
    - CONTACTS- COPPER ALLOY.
  - 2 FINISH:
    - MATING AREA - NOBLE METAL OVERALL NICKEL.
    - SOLDER TAIL - MATTE TIN OVERALL NICKEL.
  - 3 MARK P/N AND DATA CODE IN APPROX. AREA AS SHOWN.
  - 4 DETERMINED BY CUSTOMER.
  - 5. IR REFLOW COMPATIBLE;
    - TIME OVER LIQUIDUS(217°C): 60 TO 150S
    - PEAK TEMP.: 260+0/-5°C
    - TIME WITHIN 5°C OF PEAK: 20 TO 40S



SECTION P-P



SECTION S-S

CONNECTOR ACCEPTS  
2.00±0.16 mm PCB

0.40 MIN.  
(STAND OFF)

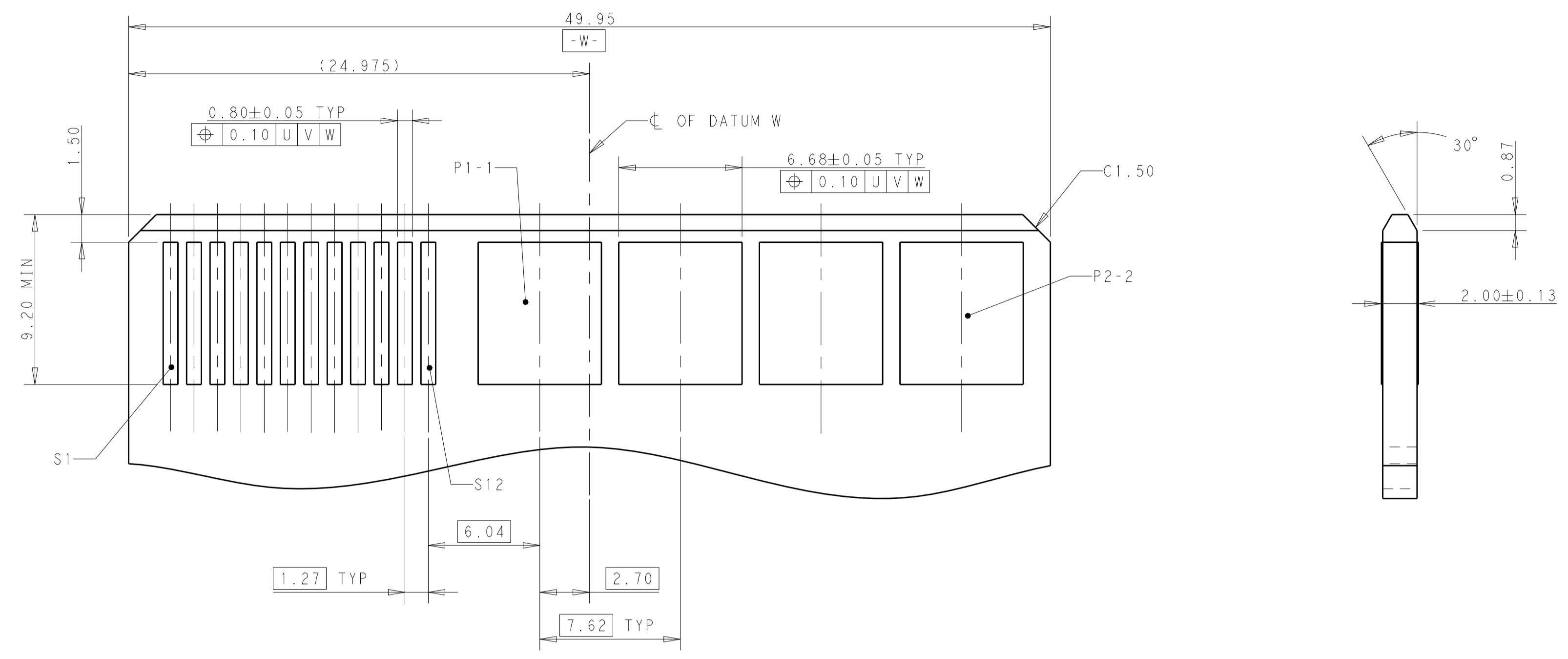
CONNECTOR ACCEPTS  
2.00±0.16 mm PCB

4.70 +0.30/-0.0  
FOR BOTH POWER  
AND SIGNAL TAILS

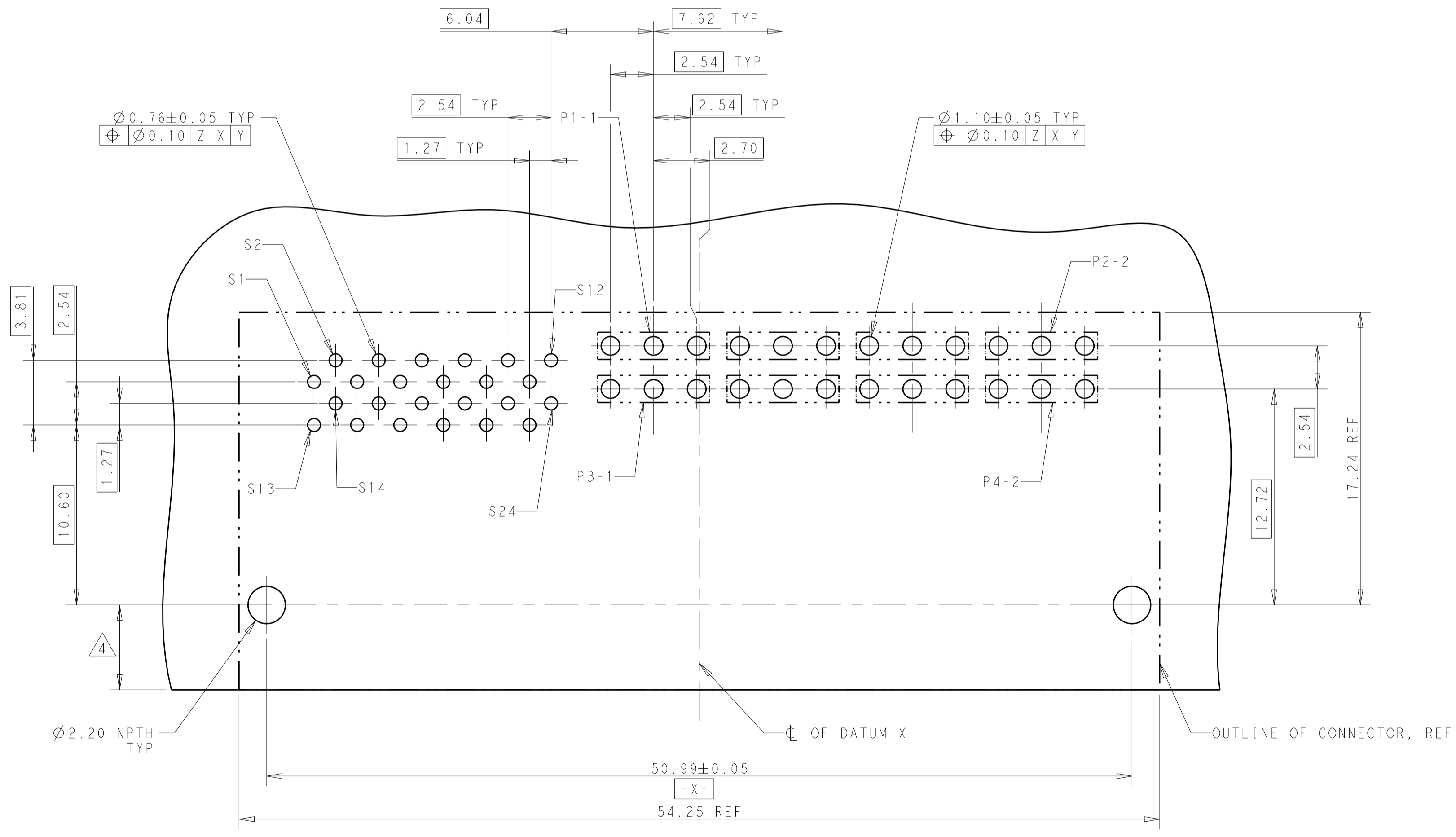
PART NUMBER 2363332-1

THIS DRAWING IS A CONTROLLED DOCUMENT.		OWN: SEAN ZHANG 24SEP2019	TE Connectivity	
DIMENSIONS: mm		CHK: -	NAME: HEIGHTEN RA POWER CARD EDGE 2x4P-2X12S	
TOLERANCES UNLESS OTHERWISE SPECIFIED:		APVD: -	PRODUCT SPEC: 108-128108	
0 PLC ±0.50		APPLICATION SPEC: -		
1 PLC ±0.25		SIZE: A1		
2 PLC ±0.15		CAGE CODE: -		
3 PLC ±0.10		DRAWING NO: 2363332		
4 PLC ±0.05		RESTRICTED TO: -		
ANGLES ±0.5		SCALE: NTS		
FINISH: -		SHEET 1 OF 2		
MATERIAL: -		REV: A		
CUSTOMER DRAWING		DATE: 18 JUN 2020		

REVISIONS				
P.	LTN	DESCRIPTION	DATE	APVD
-	-	SEE SHEET 1	-	-



RECOMMENDED MATING BOARD EDGE CONFIGURATION



RECOMMENDED MOUNTING BOARD CONFIGURATION LAYOUT  
VIEW FROM COMPONENT SIDE

THIS DRAWING IS A CONTROLLED DOCUMENT.		OWN: SEAN ZHANG	DATE: 24SEP2019
DIMENSIONS: mm		CHK: -	APVD: -
TOLERANCES UNLESS OTHERWISE SPECIFIED:		NAME: HEIGHTEN RA POWER CARD EDGE	
0 PLC	±	PRODUCT SPEC: 2x4P-2X12S	
1 PLC	±0.10	APPLICATION SPEC: -	
2 PLC	±0.05	SIZE: A1	
3 PLC	±	CAGE CODE: -	
4 PLC	±	DRAWING NO: C=2363332	
ANGLES	±	RESTRICTED TO: -	
MATERIAL: TBD	FINISH: -	WEIGHT: -	
CUSTOMER DRAWING		SCALE: NTS	
		SHEET 2 OF 2	
		REV A	