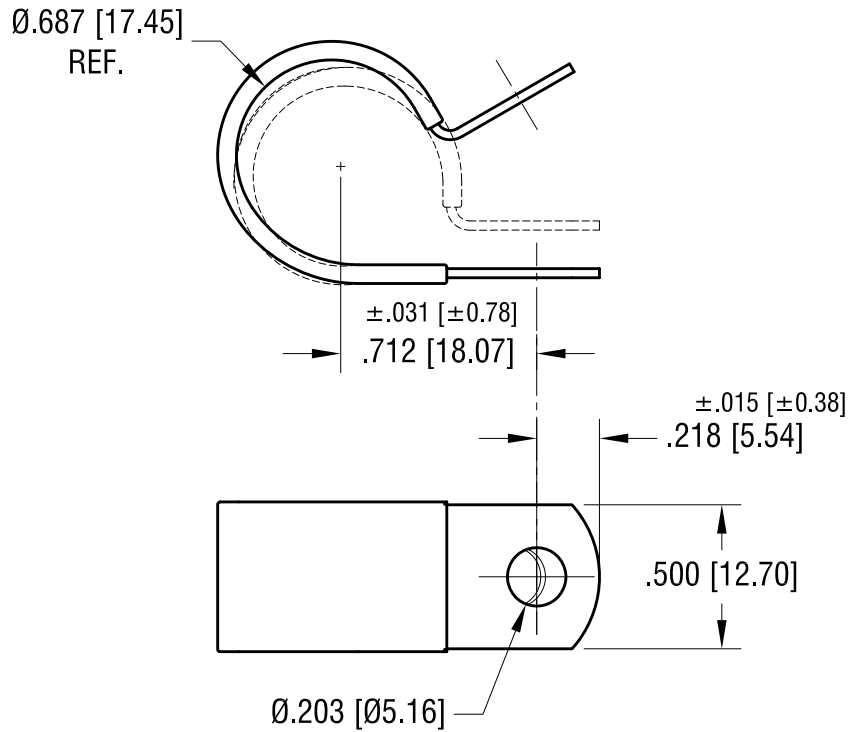
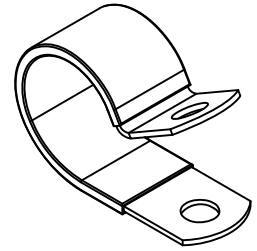


THIS DOCUMENT IS THE PROPERTY OF  
KEYSTONE ELECTRONICS CORP. AND  
SHALL NOT BE REPRODUCED, DISTRIBUTED  
OR USED AS A BASIS FOR MANUFACTURE  
WITHOUT PRIOR WRITTEN PERMISSION  
FROM KEYSTONE ELECTRONICS CORP.

ACTUAL SIZE



**KEYSTONE ELECTRONICS CORP.**

www.keyelco.com • NEW HYDE PARK, NY 11040 • Tel (516) 328-7500

PART NAME  
**INSULATED STEEL CABLE CLAMP**

MATERIAL  
.032 [0.81] TH'K STEEL, BLACK VINYL

FINISH <b>ZINC PLATE CLEAR CHROMATE</b>	DRN BY <b>BOONE</b>	DATE <b>10.20.99</b>
	APP'D <b>RH</b>	SCALE <b>1.5X</b>

TOLERANCES INCH [MM] DECIMAL $\pm .010$ [ $\pm .025$ ] ANGULAR $\pm 1^\circ$ UNLESS OTHERWISE SPECIFIED	CODE <b>C</b>	DWG NO. <b>8129</b>
---	------------------	------------------------

2.27.24	CHANGE AS PER PCN 24-015	B
10.18.06	CHANGE AS PER ECN 06-070	A
DATE	DESCRIPTION	REV.