

# MC34119

## Low Power Audio Amplifier

The MC34119 is a low power audio amplifier integrated circuit intended (primarily) for telephone applications, such as in speakerphones. It provides differential speaker outputs to maximize output swing at low supply voltages (2.0 V minimum). Coupling capacitors to the speaker are not required. Open loop gain is 80 dB, and the closed loop gain is set with two external resistors. A Chip Disable pin permits powering down and/or muting the input signal. The MC34119 is available in standard 8-pin DIP, SOIC package, and TSSOP package.

- Wide Operating Supply Voltage Range (2.0 V to 16 V), Allows Telephone Line Powered Applications
- Low Quiescent Supply Current (2.7 mA Typ) for Battery Powered Applications
- Chip Disable Input to Power Down the IC
- Low Power-Down Quiescent Current (65  $\mu$ A Typ)
- Drives a Wide Range of Speaker Loads (8.0  $\Omega$  and Up)
- Output Power Exceeds 250 mW with 32  $\Omega$  Speaker
- Low Total Harmonic Distortion (0.5% Typ)
- Gain Adjustable from <0 dB to >46 dB for Voice Band
- Requires Few External Components

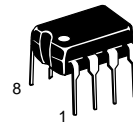
### MAXIMUM RATINGS

Rating	Value	Unit
Supply Voltage	-1.0 to +18	Vdc
Maximum Output Current at $V_{O1}$ , $V_{O2}$	$\pm 250$	mA
Maximum Voltage @ $V_{in}$ , FC1, FC2, CD Applied Output Voltage to $V_{O1}$ , $V_{O2}$ when disabled	-1.0, $V_{CC} + 1.0$ -1.0, $V_{CC} + 1.0$	Vdc
Junction Temperature	-55, +140	$^{\circ}$ C

**NOTE:** ESD data available upon request.

## LOW POWER AUDIO AMPLIFIER

### SEMICONDUCTOR TECHNICAL DATA



**P SUFFIX**  
PLASTIC PACKAGE  
CASE 626

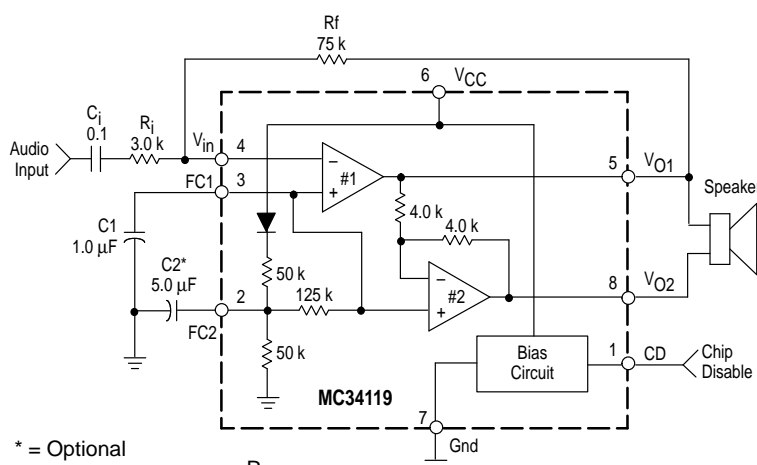


**D SUFFIX**  
PLASTIC PACKAGE  
CASE 751  
(SO-8)



**DTB SUFFIX**  
PLASTIC PACKAGE  
CASE 948J  
(TSSOP)

### Block Diagram and Simplified Application

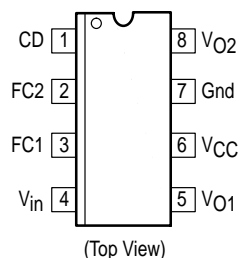


\* = Optional

$$\text{Differential Gain} = 2 \times \frac{R_f}{R_i}$$

This device contains 45 active transistors.

### PIN CONNECTIONS



### ORDERING INFORMATION

Device	Operating Temperature Range	Package
MC34119P	$T_A = -20^{\circ}$ to $+70^{\circ}$ C	Plastic DIP
MC34119D		SO-8
MC34119DTB		TSSOP

# MC34119

## RECOMMENDED OPERATING CONDITIONS

Characteristics	Symbol	Min	Max	Unit
Supply Voltage	$V_{CC}$	+2.0	+16	Vdc
Voltage @ CD (Pin 1)	$V_{CD}$	0	$V_{CC}$	Vdc
Load Impedance	$R_L$	8.0	–	$\Omega$
Peak Load Current	$I_L$	–	$\pm 200$	mA
Differential Gain (5.0 kHz Bandwidth)	AVD	0	46	dB
Ambient Temperature	$T_A$	–20	+70	$^{\circ}\text{C}$

## ELECTRICAL CHARACTERISTICS ( $T_A = 25^{\circ}\text{C}$ , unless otherwise noted.)

Characteristics	Symbol	Min	Typ	Max	Unit
-----------------	--------	-----	-----	-----	------

### AMPLIFIERS (AC CHARACTERISTICS)

AC Input Resistance (@ $V_{IN}$ )	$r_i$	–	>30	–	$M\Omega$
Open Loop Gain (Amplifier #1, $f < 100$ Hz)	$A_{VOL1}$	80	–	–	dB
Closed Loop Gain (Amplifier #2, $V_{CC} = 6.0$ V, $f = 1.0$ kHz, $R_L = 32$ $\Omega$ )	$A_{V2}$	–0.35	0	+0.35	dB
Gain Bandwidth Product	GBW	–	1.5	–	MHz
Output Power; $V_{CC} = 3.0$ V, $R_L = 16$ $\Omega$ , THD $\leq 10\%$ $V_{CC} = 6.0$ V, $R_L = 32$ $\Omega$ , THD $\leq 10\%$ $V_{CC} = 12$ V, $R_L = 100$ $\Omega$ , THD $\leq 10\%$	$P_{Out3}$ $P_{Out6}$ $P_{Out12}$	55 250 400	– – –	– – –	mW
Total Harmonic Distortion ( $f = 1.0$ kHz) ( $V_{CC} = 6.0$ V, $R_L = 32$ $\Omega$ , $P_{out} = 125$ mW) ( $V_{CC} \geq 3.0$ V, $R_L = 8.0$ $\Omega$ , $P_{out} = 20$ mW) ( $V_{CC} \geq 12$ V, $R_L = 32$ $\Omega$ , $P_{out} = 200$ mW)	THD	– – –	0.5 0.5 0.6	1.0 – –	%
Power Supply Rejection ( $V_{CC} = 6.0$ V, $\Delta V_{CC} = 3.0$ V) ( $C_1 = \infty$ , $C_2 = 0.01$ $\mu\text{F}$ ) ( $C_1 = 0.1$ $\mu\text{F}$ , $C_2 = 0$ , $f = 1.0$ kHz) ( $C_1 = 1.0$ $\mu\text{F}$ , $C_2 = 5.0$ $\mu\text{F}$ , $f = 1.0$ kHz)	PSRR	50 – –	– 12 52	– – –	dB
Differential Muting ( $V_{CC} = 6.0$ V, $1.0$ kHz $\leq f \leq 20$ kHz, $CD = 2.0$ V)	GMT	–	>70	–	dB

### AMPLIFIERS (DC CHARACTERISTICS)

Output DC Level @ $VO_1$ , $VO_2$ , $V_{CC} = 3.0$ V, $R_L = 16$ ( $R_f = 75$ k) $V_{CC} = 6.0$ V $V_{CC} = 12$ V	$VO(3)$ $VO(6)$ $VO(12)$	1.0 – –	1.15 2.65 5.65	1.25 – –	Vdc
Output Level High ( $I_{out} = -75$ mA, $2.0$ V $\leq V_{CC} \leq 16$ V) Low ( $I_{out} = 75$ mA, $2.0$ V $\leq V_{CC} \leq 16$ V)	$V_{OH}$ $V_{OL}$	– –	$V_{CC} - 1.0$ 0.16	– –	Vdc
Output DC Offset Voltage ( $VO_1 - VO_2$ ) ( $V_{CC} = 6.0$ V, $R_f = 75$ k $\Omega$ , $R_L = 32$ $\Omega$ )	$\Delta VO$	–30	0	+30	mV
Input Bias Current @ $V_{in}$ ( $V_{CC} = 6.0$ V)	$I_{IB}$	–	–100	–200	nA
Equivalent Resistance @ FC1 ( $V_{CC} = 6.0$ V) @ FC2 ( $V_{CC} = 6.0$ V)	$R_{FC1}$ $R_{FC2}$	100 18	150 25	220 40	k $\Omega$

### CHIP DISABLE (Pin 1)

Input Voltage Low High	$V_{IL}$ $V_{IH}$	– 2.0	– –	0.8 –	Vdc
Input Resistance ( $V_{CC} = V_{CD} = 16$ V)	$R_{CD}$	50	90	175	k $\Omega$

### POWER SUPPLY

Power Supply Current ( $V_{CC} = 3.0$ V, $R_L = \infty$ , $CD = 0.8$ V) ( $V_{CC} = 16$ V, $R_L = \infty$ , $CD = 0.8$ V) ( $V_{CC} = 3.0$ V, $R_L = \infty$ , $CD = 2.0$ V)	$I_{CC3}$ $I_{CC16}$ $I_{CCD}$	– – –	2.7 3.3 65	4.0 5.0 100	mA mA $\mu\text{A}$
---	--------------------------------------	-------------	------------------	-------------------	---------------------------

NOTE: Currents into a pin are positive, currents out of a pin are negative.

# MC34119

## PIN FUNCTION DESCRIPTION

Symbol	Pin	Description
CD	1	Chip Disable – Digital input. A Logic “0” (<0.8 V) sets normal operation. A logic “1” ( $\geq 2.0$ V) sets the power down mode. Input impedance is nominally 90 k $\Omega$ .
FC2	2	A capacitor at this pin increases power supply rejection, and affects turn–on time. This pin can be left open if the capacitor at FC1 is sufficient.
FC1	3	Analog ground for the amplifiers. A 1.0 $\mu$ F capacitor at this pin (with a 5.0 $\mu$ F capacitor at Pin 2) provides (typically) 52 dB of power supply rejection. Turn–on time of the circuit is affected by the capacitor on this pin. This pin can be used as an alternate input.
$V_{in}$	4	Amplifier input. The input capacitor and resistor set low frequency rolloff and input impedance. The feedback resistor is connected to this pin and $V_{O1}$ .
$V_{O1}$	5	Amplifier Output #1. The dc level is $\approx (V_{CC} - 0.7 \text{ V})/2$ .
$V_{CC}$	6	DC supply voltage (+2.0 V to +16 V) is applied to this pin.
GND	7	Ground pin for the entire circuit.
$V_{O2}$	8	Amplifier Output #2. This signal is equal in amplitude, but 180° out–of–phase with that at $V_{O1}$ . The dc level is $\approx (V_{CC} - 0.7 \text{ V})/2$ .

### TYPICAL TEMPERATURE PERFORMANCE ( $-20^{\circ} \text{C} < T_A < +70^{\circ} \text{C}$ )

Function	Typical Change	Units
Input Bias Current (@ $V_{in}$ )	$\pm 40$	pA/ $^{\circ}\text{C}$
Total Harmonic Distortion ( $V_{CC} = 6.0 \text{ V}$ , $R_L = 32 \Omega$ , $P_{out} = 125 \text{ mW}$ , $f = 1.0 \text{ kHz}$ )	+0.003	%/ $^{\circ}\text{C}$
Power Supply Current ( $V_{CC} = 3.0 \text{ V}$ , $R_L = \infty$ , $CD = 0 \text{ V}$ )	-2.5	$\mu\text{A}/^{\circ}\text{C}$
( $V_{CC} = 3.0 \text{ V}$ , $R_L = \infty$ , $CD = 2.0 \text{ V}$ )	-0.03	

## DESIGN GUIDELINES

## General

The MC34119 is a low power audio amplifier capable of low voltage operation ( $V_{CC} = 2.0$  V minimum) such as that encountered in line-powered speakerphones. The circuit provides a differential output ( $V_{O1}-V_{O2}$ ) to the speaker to maximize the available voltage swing at low voltages. The differential gain is set by two external resistors. Pins FC1 and FC2 allow controlling the amount of power supply and noise rejection, as well as providing alternate inputs to the amplifiers. The CD pin permits powering down the IC for muting purposes and to conserve power.

## Amplifiers

Referring to the block diagram, the internal configuration consists of two identical operational amplifiers. Amplifier #1 has an open loop gain of  $\geq 80$  dB (at  $f \leq 100$  Hz), and the closed loop gain is set by external resistor  $R_f$  and  $R_i$ . The amplifier is unity gain stable, and has a unity gain frequency of approximately 1.5 MHz. In order to adequately cover the telephone voice band (300 Hz to 3400 Hz), a maximum closed loop gain of 46 is recommended. Amplifier #2 is internally set to a gain of  $-1.0$  (0 dB).

The outputs of both amplifiers are capable of sourcing and sinking a peak current of 200 mA. The outputs can typically swing to within  $\approx 0.4$  V above ground, and to within  $\approx 1.3$  V below  $V_{CC}$ , at the maximum current. See Figures 18 and 19 for  $V_{OH}$  and  $V_{OL}$  curves.

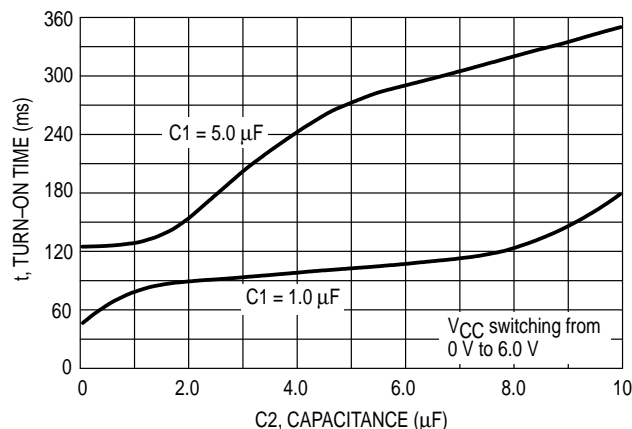
The output dc offset voltage ( $V_{O1}-V_{O2}$ ) is primarily a function of the feedback resistor ( $R_f$ ), and secondarily due to the amplifiers' input offset voltages. The input offset voltage of the two amplifiers will generally be similar for a particular IC, and therefore nearly cancel each other at the outputs. Amplifier #1's bias current, however, flows out of  $V_{in}$  (Pin 4) and through  $R_f$ , forcing  $V_{O1}$  to shift negative by an amount equal to  $[R_f \times I_B]$ .  $V_{O2}$  is shifted positive an equal amount. The output offset voltage, specified in the Electrical Characteristics, is measured with the feedback resistor shown in the Typical Application Circuit, and therefore takes into account the bias current as well as internal offset voltages of the amplifiers. The bias current is constant with respect to  $V_{CC}$ .

## FC1 and FC2

Power supply rejection is provided by the capacitors (C1 and C2 in the Typical Application Circuit) at FC1 and FC2. C2 is somewhat dominant at low frequencies, while C1 is dominant at high frequencies, as shown in the graphs of Figures 4 to 7. The required values of C1 and C2 depend on the conditions of each application. A line powered speakerphone, for example, will require more filtering than a circuit powered by a well regulated power supply. The amount of rejection is a function of the capacitors, and the equivalent impedance looking into FC1 and FC2 (listed in the Electrical Characteristics as  $R_{FC1}$  and  $R_{FC2}$ ).

In addition to providing filtering, C1 and C2 also affect the turn-on time of the circuit at power-up, since the two capacitors must charge up through the internal 50 k and 125 k $\Omega$  resistors. The graph of Figure 1 indicates the turn-on time upon application of  $V_{CC}$  of +6.0 V. The turn-on time is  $\approx 60\%$  longer for  $V_{CC} = 3.0$  V, and  $\approx 20\%$  less for  $V_{CC} = 9.0$  V. Turn-off time is  $< 10$   $\mu$ s upon removal of  $V_{CC}$ .

Figure 1. Turn-On Time versus C1, C2 at Power-On



## Chip Disable

The Chip Disable (Pin 1) can be used to power down the IC to conserve power, or for muting, or both. When at a Logic "0" (0 V to 0.8 V), the MC34119 is enabled for normal operation. When Pin 1 is at a Logic "1" (2.0 V to  $V_{CC}$  V), the IC is disabled. If Pin 1 is open, that is equivalent to a Logic "0," although good design practice dictates that an input should never be left open. Input impedance at Pin 1 is a nominal 90 k $\Omega$ . The power supply current (when disabled) is shown in Figure 15.

Muting, defined as the change in differential gain from normal operation to muted operation, is in excess of 70 dB. The turn-off time of the audio output, from the application of the CD signal, is  $< 2.0$   $\mu$ s, and turn on-time is 12 ms–15 ms. Both times are independent of C1, C2, and  $V_{CC}$ .

When the MC34119 is disabled, the voltages at FC1 and FC2 do not change as they are powered from  $V_{CC}$ . The outputs,  $V_{O1}$  and  $V_{O2}$ , change to a high impedance condition, removing the signal from the speaker. If signals from other sources are to be applied to the outputs (while disabled), they must be within the range of  $V_{CC}$  and Ground.

## Power Dissipation

Figures 8 to 10 indicate the device dissipation (within the IC) for various combinations of  $V_{CC}$ ,  $R_L$ , and load power. The maximum power which can safely be dissipated within the MC34119 is found from the following equation:

$$P_D = (140^\circ\text{C} - T_A) / \theta_{JA}$$

where  $T_A$  is the ambient temperature; and  $\theta_{JA}$  is the package thermal resistance (100 $^\circ\text{C}/\text{W}$  for the standard DIP package, and 180 $^\circ\text{C}/\text{W}$  for the surface mount package.)

The power dissipated within the MC34119, in a given application, is found from the following equation:

$$P_D = (V_{CC} \times I_{CC}) + (I_{RMS} \times V_{CC}) - (R_L \times I_{RMS}^2)$$

where  $I_{CC}$  is obtained from Figure 15; and  $I_{RMS}$  is the RMS current at the load; and  $R_L$  is the load resistance.

Figures 8 to 10, along with Figures 11 to 13 (distortion curves), and a peak working load current of  $\pm 200$  mA, define the operating range for the MC34119. The operating range is further defined in terms of allowable load power in Figure 14 for loads of 8.0  $\Omega$ , 16  $\Omega$  and 32  $\Omega$ . The left (ascending) portion

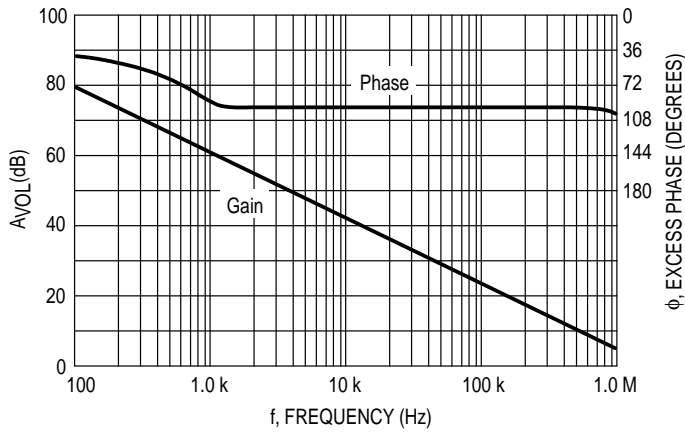
# MC34119

of each of the three curves is defined by the power level at which 10% distortion occurs. The center flat portion of each curve is defined by the maximum output current capability of the MC34119. The right (descending) portion of each curve is defined by the maximum internal power dissipation of the IC at 25°C. At higher ambient temperatures, the maximum load power must be reduced according to the above equations. Operating the device beyond the current and junction temperature limits will degrade long term reliability.

## Layout Considerations

Normally a snubber is not needed at the output of the MC34119, unlike many other audio amplifiers. However, the PC board layout, stray capacitances, and the manner in which the speaker wires are configured, may dictate otherwise. Generally, the speaker wires should be twisted tightly, and not more than a few inches in length.

**Figure 2. Amplifier #1 Open Loop Gain and Phase**



**Figure 3. Differential Gain versus Frequency**

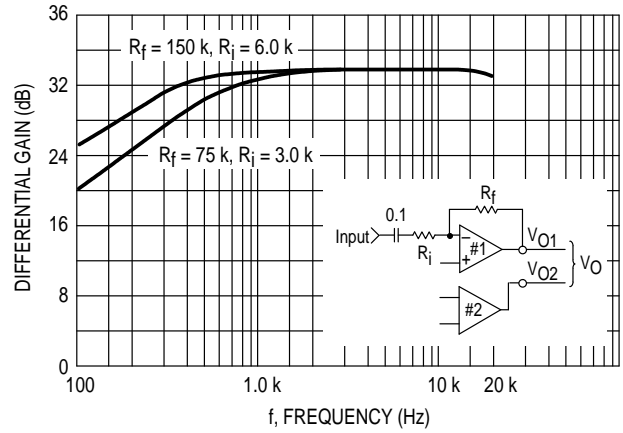


Figure 4. Power Supply Rejection versus Frequency  
(C2 = 10 μF)

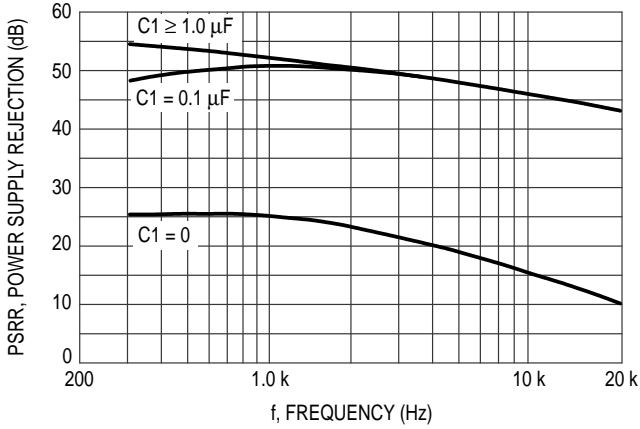


Figure 5. Power Supply Rejection versus Frequency  
(C2 = 5.0 μF)

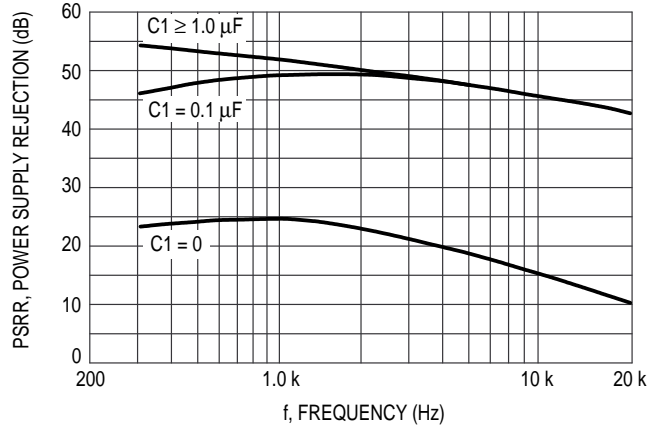


Figure 6. Power Supply Rejection versus Frequency  
(C2 = 1.0 μF)

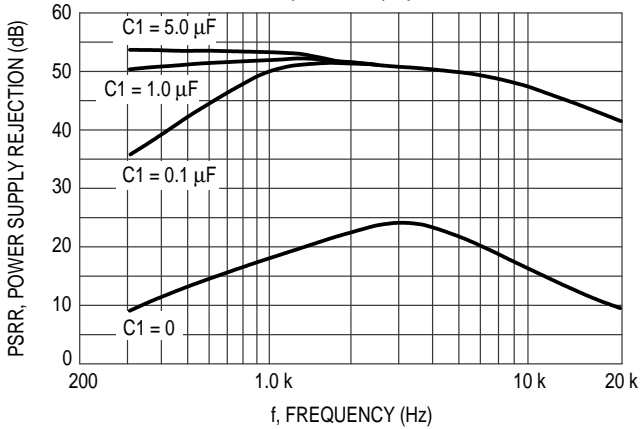


Figure 7. Power Supply Rejection versus Frequency  
(C2 = 0)

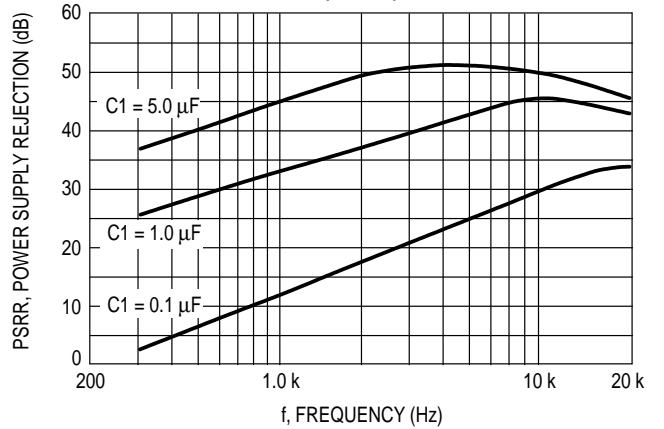


Figure 8. Device Dissipation, 8.0 Ω Load

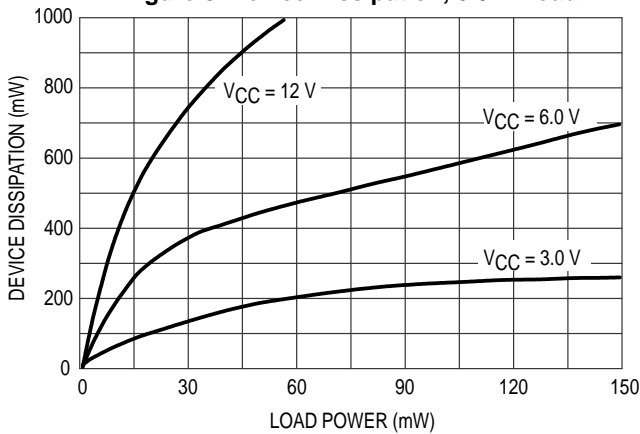


Figure 9. Device Dissipation, 16 Ω Load

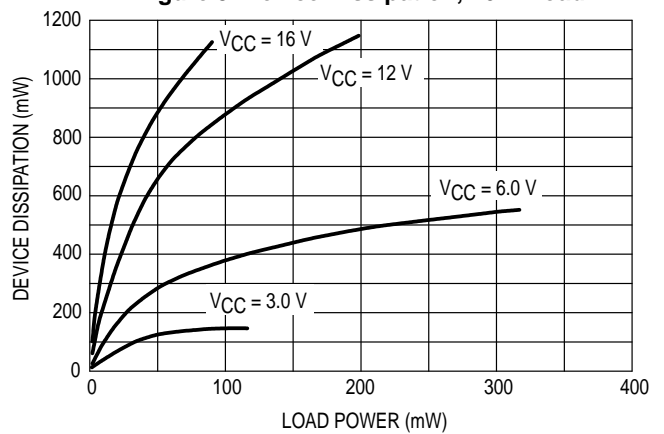


Figure 10. Device Dissipation, 32 Ω Load

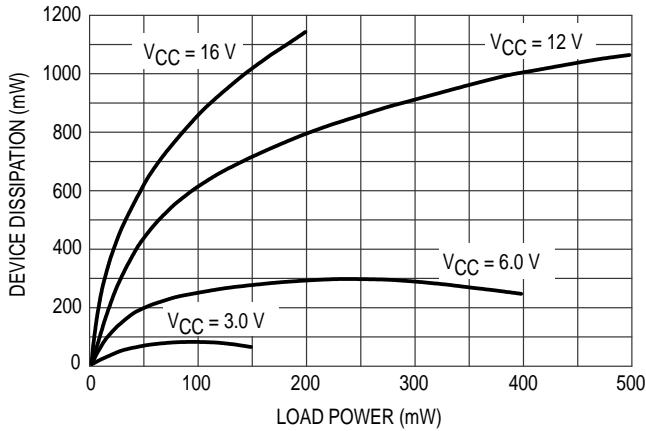


Figure 11. Distortion versus Power (f = 1.0 kHz, AVD = 34 dB)

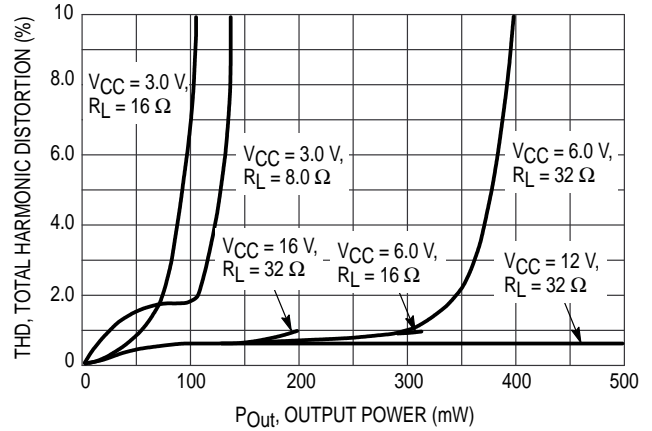


Figure 12. Distortion versus Power (f = 3.0 kHz, AVD = 34 dB)

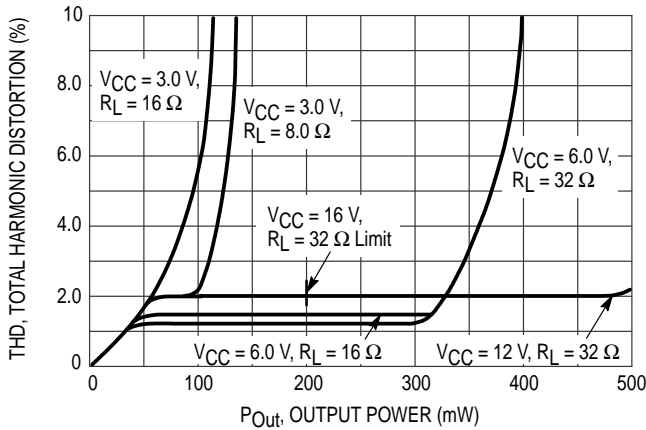


Figure 13. Distortion versus Power (f = 1, 3.0 kHz, AVD = 12 dB)

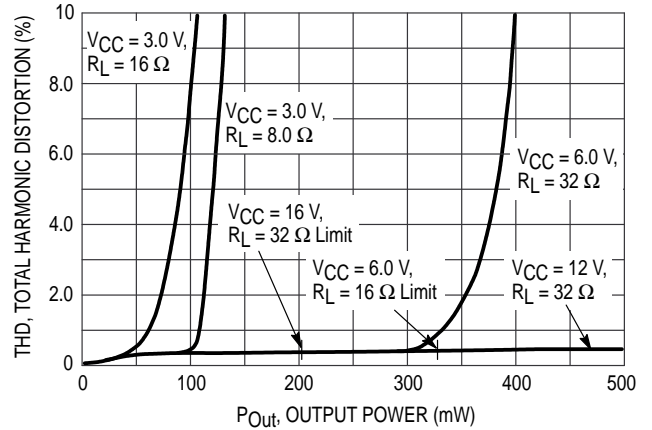


Figure 14. Maximum Allowable Load Power

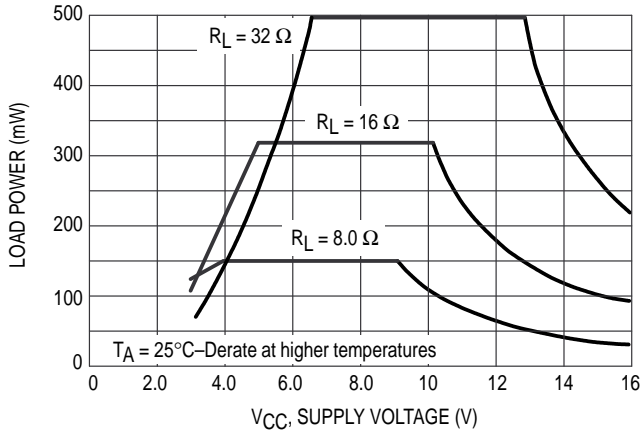


Figure 15. Power Supply Current

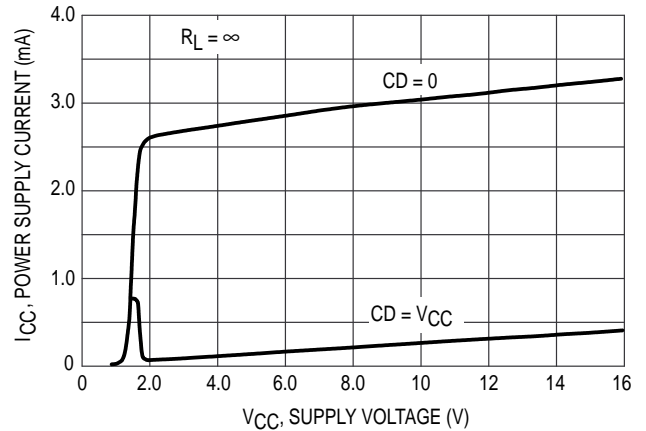


Figure 16. Small Signal Response

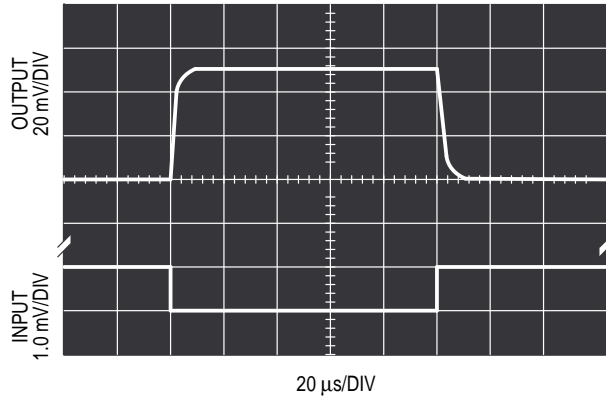


Figure 17. Large Signal Response

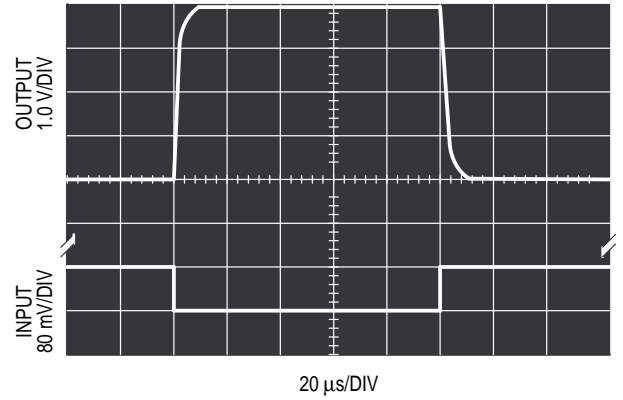


Figure 18.  $V_{CC}-V_{OH}$  @  $V_{O1}, V_{O2}$  versus Load Current

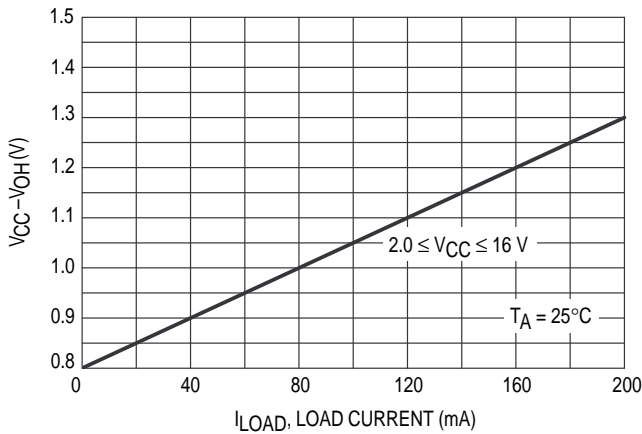


Figure 19.  $V_{OL}$  @  $V_{O1}, V_{O2}$  versus Load Current

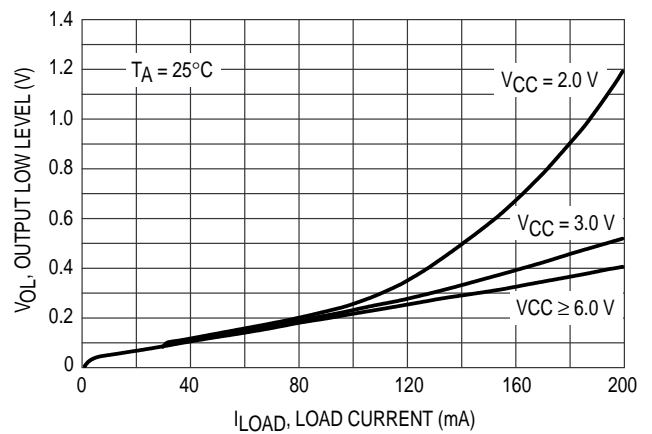


Figure 20. Input Characteristics @ CD (Pin 1)

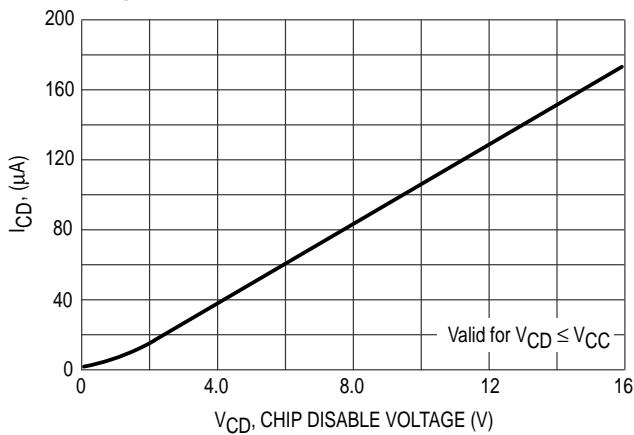
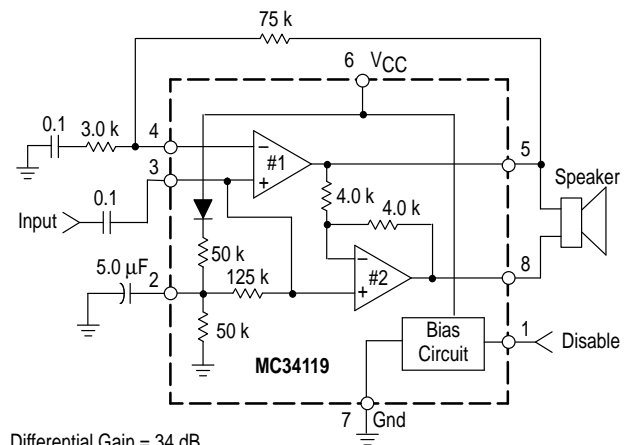


Figure 21. Audio Amplifier with High Input Impedance

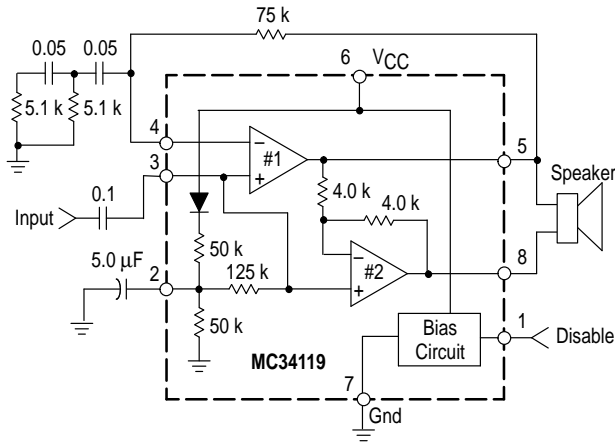


Differential Gain = 34 dB  
 Frequency Response: See Figure 3  
 Input Impedance  $\approx$  125 k $\Omega$   
 PSRR  $\approx$  50 dB

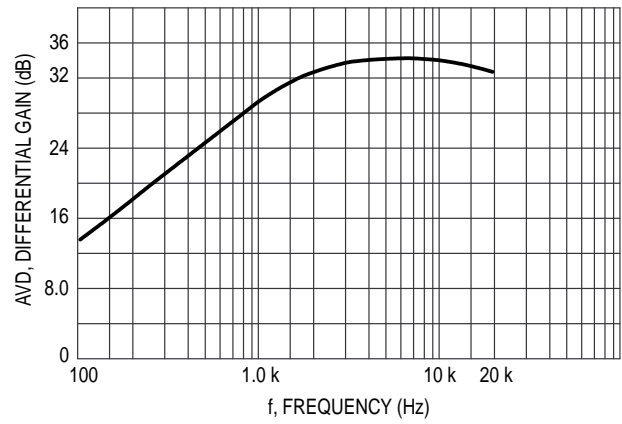


# MC34119

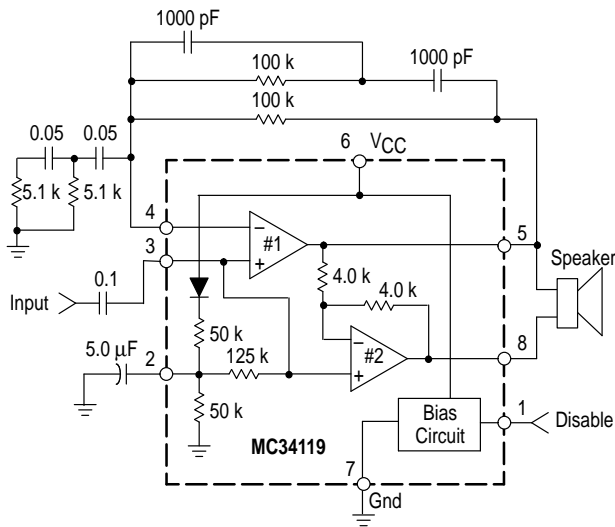
**Figure 22. Audio Amplifier with Bass Suppression**



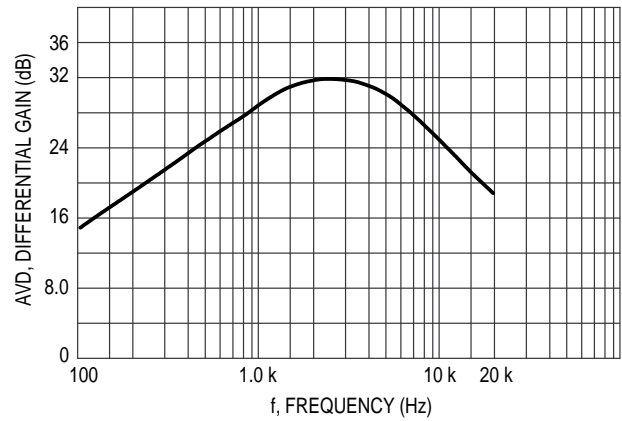
**Figure 23. Frequency Response of Figure 22**



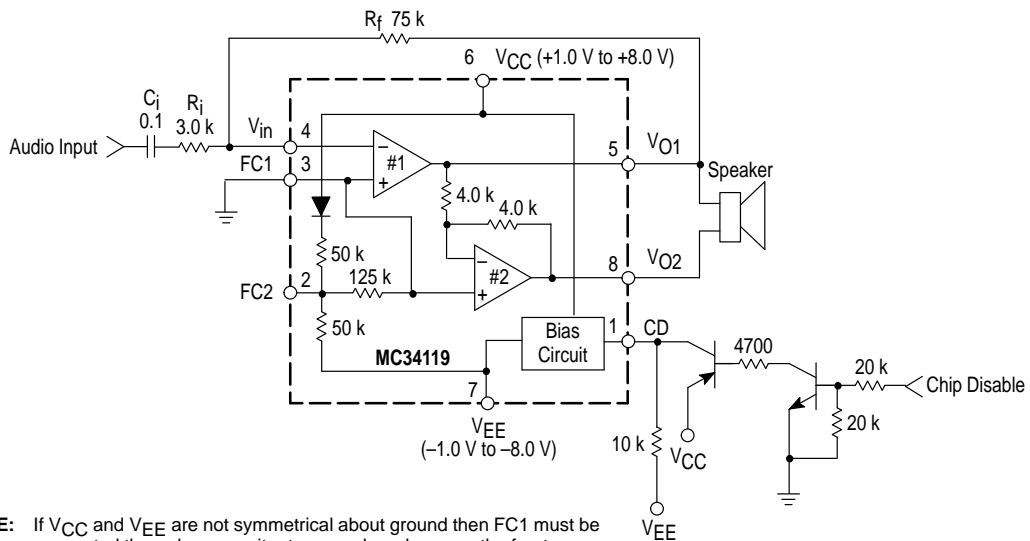
**Figure 24. Audio Amplifier with Bandpass**



**Figure 25. Frequency Response of Figure 24**



**Figure 26. Split Supply Operation**

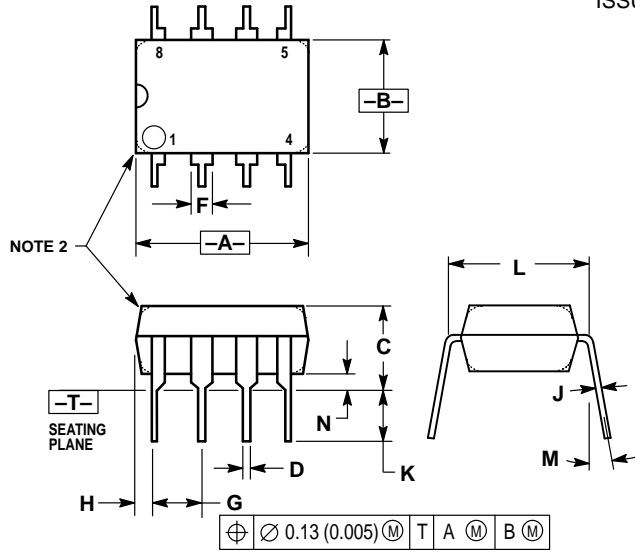


**NOTE:** If  $V_{CC}$  and  $V_{EE}$  are not symmetrical about ground then FC1 must be connected through a capacitor to ground as shown on the front page.

# MC34119

## OUTLINE DIMENSIONS

### P SUFFIX PLASTIC PACKAGE CASE 626-05 ISSUE K

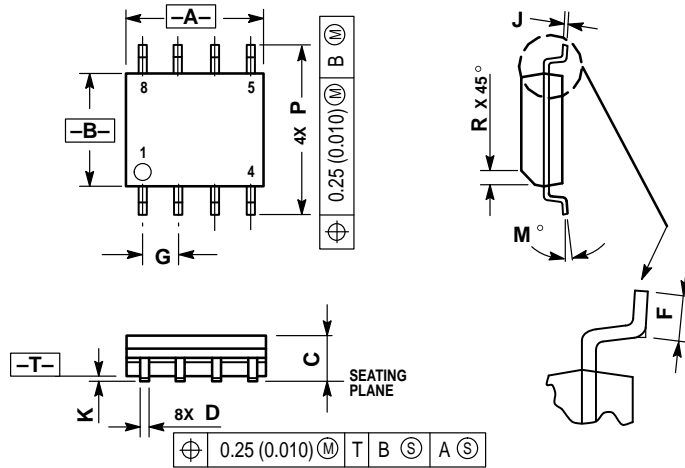


NOTES:

1. DIMENSION L TO CENTER OF LEAD WHEN FORMED PARALLEL.
2. PACKAGE CONTOUR OPTIONAL (ROUND OR SQUARE CORNERS).
3. DIMENSIONING AND TOLERANCING PER ANSI Y14.5M, 1982.

DIM	MILLIMETERS		INCHES	
	MIN	MAX	MIN	MAX
A	9.40	10.16	0.370	0.400
B	6.10	6.60	0.240	0.260
C	3.94	4.45	0.155	0.175
D	0.38	0.51	0.015	0.020
F	1.02	1.78	0.040	0.070
G	2.54 BSC		0.100 BSC	
H	0.76	1.27	0.030	0.050
J	0.20	0.30	0.008	0.012
K	2.92	3.43	0.115	0.135
L	7.62 BSC		0.300 BSC	
M	10°		10°	
N	0.76	1.01	0.030	0.040

### D SUFFIX PLASTIC PACKAGE CASE 751-05 (SO-8) ISSUE P



NOTES:

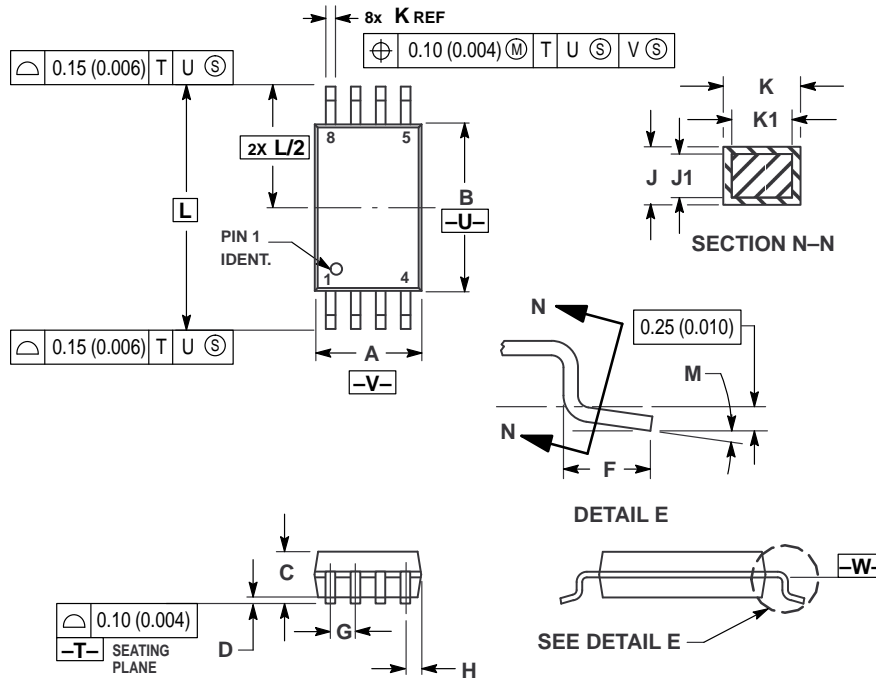
1. DIMENSIONS A AND B ARE DATUMS AND T IS A DATUM SURFACE.
2. DIMENSIONING AND TOLERANCING PER ANSI Y14.5M, 1982.
3. DIMENSIONS ARE IN MILLIMETER.
4. DIMENSION A AND B DO NOT INCLUDE MOLD PROTRUSION.
5. MAXIMUM MOLD PROTRUSION 0.15 PER SIDE.
6. DIMENSION D DOES NOT INCLUDE MOLD PROTRUSION. ALLOWABLE DAMBAR PROTRUSION SHALL BE 0.127 TOTAL IN EXCESS OF THE D DIMENSION AT MAXIMUM MATERIAL CONDITION.

DIM	MILLIMETERS	
	MIN	MAX
A	4.80	5.00
B	3.80	4.00
C	1.35	1.75
D	0.35	0.49
F	0.40	1.25
G	1.27 BSC	
J	0.18	0.25
K	0.10	0.25
M	0°	7°
P	5.80	6.20
R	0.25	0.50

# MC34119

## OUTLINE DIMENSIONS

DTB SUFFIX  
 PLASTIC PACKAGE  
 CASE 948J-01  
 (TSSOP)  
 ISSUE O




NOTES:

- 1 DIMENSIONING AND TOLERANCING PER ANSI Y14.5M, 1982.
- 2 CONTROLLING DIMENSION: MILLIMETER.
- 3 DIMENSION A DOES NOT INCLUDE MOLD FLASH, PROTRUSIONS OR GATE BURRS. MOLD FLASH OR GATE BURRS SHALL NOT EXCEED 0.15 (0.006) PER SIDE.
- 4 DIMENSION B DOES NOT INCLUDE INTERLEAD FLASH OR PROTRUSION. INTERLEAD FLASH OR PROTRUSION SHALL NOT EXCEED 0.25 (0.010) PER SIDE.
- 5 DIMENSION K DOES NOT INCLUDE DAMBAR PROTRUSION. ALLOWABLE DAMBAR PROTRUSION SHALL BE 0.08 (0.003) TOTAL IN EXCESS OF THE K DIMENSION AT MAXIMUM MATERIAL CONDITION.
- 6 TERMINAL NUMBERS ARE SHOWN FOR REFERENCE ONLY.
- 7 DIMENSION A AND B ARE TO BE DETERMINED AT DATUM PLANE -W-.

DIM	MILLIMETERS		INCHES	
	MIN	MAX	MIN	MAX
A	2.90	3.10	0.114	0.122
B	4.30	4.50	0.169	0.177
C	—	1.20	—	0.047
D	0.05	0.15	0.002	0.006
F	0.50	0.75	0.020	0.030
G	0.65 BSC		0.026 BSC	
H	0.50	0.60	0.020	0.024
J	0.09	0.20	0.004	0.008
J1	0.09	0.16	0.004	0.006
K	0.19	0.30	0.007	0.012
K1	0.19	0.25	0.007	0.010
L	6.40 BSC		0.252 BSC	
M	0°	8°	0°	8°

# MC34119

Motorola reserves the right to make changes without further notice to any products herein. Motorola makes no warranty, representation or guarantee regarding the suitability of its products for any particular purpose, nor does Motorola assume any liability arising out of the application or use of any product or circuit, and specifically disclaims any and all liability, including without limitation consequential or incidental damages. "Typical" parameters which may be provided in Motorola data sheets and/or specifications can and do vary in different applications and actual performance may vary over time. All operating parameters, including "Typicals" must be validated for each customer application by customer's technical experts. Motorola does not convey any license under its patent rights nor the rights of others. Motorola products are not designed, intended, or authorized for use as components in systems intended for surgical implant into the body, or other applications intended to support or sustain life, or for any other application in which the failure of the Motorola product could create a situation where personal injury or death may occur. Should Buyer purchase or use Motorola products for any such unintended or unauthorized application, Buyer shall indemnify and hold Motorola and its officers, employees, subsidiaries, affiliates, and distributors harmless against all claims, costs, damages, and expenses, and reasonable attorney fees arising out of, directly or indirectly, any claim of personal injury or death associated with such unintended or unauthorized use, even if such claim alleges that Motorola was negligent regarding the design or manufacture of the part. Motorola and  are registered trademarks of Motorola, Inc. Motorola, Inc. is an Equal Opportunity/Affirmative Action Employer.

**How to reach us:**

**USA/EUROPE/Locations Not Listed:** Motorola Literature Distribution;  
P.O. Box 20912; Phoenix, Arizona 85036. 1-800-441-2447 or 602-303-5454

**MFAX:** RMFAX0@email.sps.mot.com – TOUCHTONE 602-244-6609  
**INTERNET:** <http://Design-NET.com>

**JAPAN:** Nippon Motorola Ltd.; Tatsumi-SPD-JLDC, 6F Seibu-Butsuryu-Center,  
3-14-2 Tatsumi Koto-Ku, Tokyo 135, Japan. 03-81-3521-8315

**ASIA/PACIFIC:** Motorola Semiconductors H.K. Ltd.; 8B Tai Ping Industrial Park,  
51 Ting Kok Road, Tai Po, N.T., Hong Kong. 852-26629298



MC34119/D



\*Digital DNA


## MC34119 : Low Power Audio Amplifier

**ADVANCED**

[Product Catalog](#)

[Telecommunications](#)

[Audio Amplifier](#)

**Related Links**

[Display & Telephony](#)

The MC34119 is a low power audio amplifier integrated circuit intended (primarily) for telephone applications, such as in speakerphones. It provides differential speaker outputs to maximize output swing at low supply voltages (2.0 V minimum). Coupling capacitors to the speaker are not required. Open loop gain is 80 dB, and the closed loop gain is set with two external resistors. A Chip Disable pin permits powering down and/or muting the input signal. The MC34119 is available in standard 8-pin DIP, SOIC package, and TSSOP package.

Page Contents
• <a href="#">Features</a>
• <a href="#">Documentation</a>
• <a href="#">Orderable Parts</a>
• <a href="#">Frequently Asked Questions</a>

### MC34119 Features

- Wide Operating Supply Voltage Range (2.0 V to 16 V), Allows Telephone Line Powered Applications
- Low Quiescent Supply Current (2.7 mA Typ) for Battery Powered Applications
- Chip Disable Input to Power Down the IC
- Low Power-Down Quiescent Current (65 mA Typ)
- Drives a Wide Range of Speaker Loads (8.0 W and Up)
- Output Power Exceeds 250 mW with 32 W Speaker
- Low Total Harmonic Distortion (0.5% Typ)
- Gain Adjustable from <0 dB to >46 dB for Voice Band
- Requires Few External Components

[\[top\]](#)

### MC34119 Documentation

#### Data Sheets

Document ID	Name	Type	Format	Size K	Rev	Date Last Modified
MC34119	<a href="#">AUDIO AMPLIFIER</a>	Data Sheets	pdf	264	-	-

[\[top\]](#)

### MC34119 Orderable Parts

Orderable Part ID	Package Info	Status	Remarks
MC34119D	SO-8/TUBE	Active - Production Part	-
MC34119DR2	SO-8/T&R	Active - Production Part	-
MC34119DTB	TSSOP-8/TUBE	Active - Production Part	-

MC34119DTBEL	ISSOP-8/T&R	Active - Production Part	-
MC34119M	SOEIAJ/TUBE	Active - Production Part	-
MC34119MEL	SOEIAJ/T&R	Active - Production Part	-
MC34119ML1	SOEIAJ/T&R	Active - Production Part	-
MC34119ML2	SOEIAJ/T&R	Active - Production Part	-
MC34119MR1	SOEIAJ/T&R	Active - Production Part	-
MC34119MR2	SOEIAJ/T&R	Active - Production Part	-
MC34119P	PDIP-8/TUBE	Active - Production Part	-
MC34119ADTB	TSSOP-8/TUBE	Active - Production Part	-
MC34119ADTBR2	TSSOP-8/T&R	Active - Production Part	-
MC34119DTBR2	TSSOP-8/T&R	Active - Production Part	-

[\[top\]](#)

[Home](#) | [Solutions](#) | [Products](#) | [Support](#) | [Contact](#) | [About Us](#) | [Site Map](#) |

 |  |