



# Sav-Con<sup>®</sup> connector savers

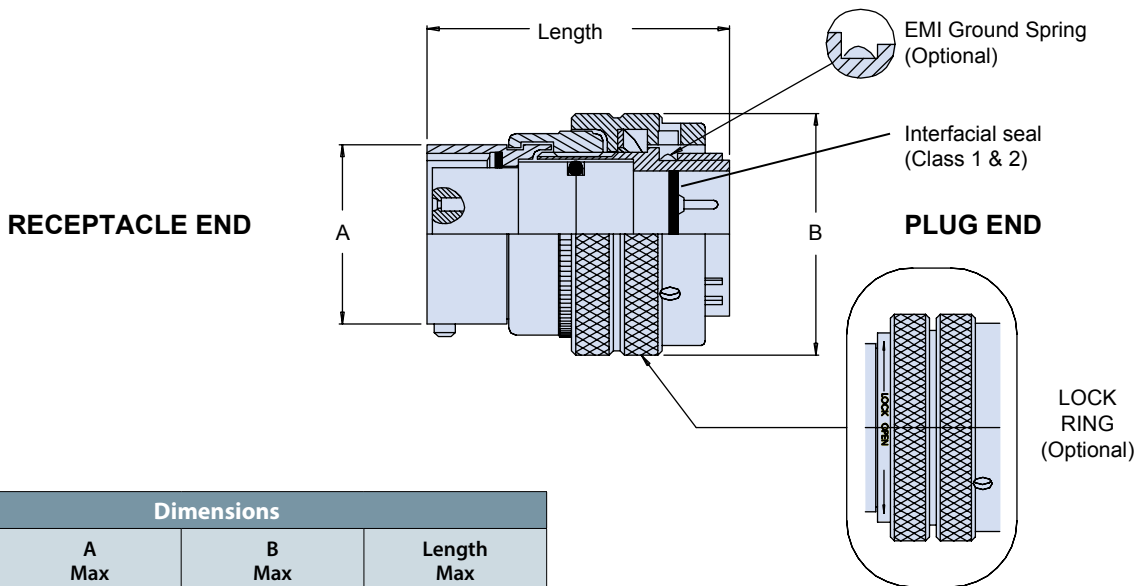


## MIL-DTL-26482 Series I and II

### 940-001, 941-001 and 942-001 Bayonet Coupling

#### 940-001 SERIES I GENERAL DUTY, 941-001 ENVIRONMENTAL AND 942-001 HIGH RELIABILITY

How To Order	
<b>Sample Part Number</b>	<b>94 0 L 001 M 22 G 55 P X 131</b>
<b>Series</b>	<b>94</b>
<b>Class</b>	<b>0 = General Duty 1 = Environmental 2 = High Reliability</b>
<b>Lock Ring (optional)</b>	<b>L = Lock Ring — (dash) = Standard</b>
<b>Basic Number</b>	<b>001</b>
<b>Finish</b>	See Table I
<b>Shell Size</b>	See Table II
<b>EMI Ground</b>	<b>G = EMI Ground Spring (optional) — (dash) = Standard</b>
<b>Insert Arrangement</b>	See Table II
<b>Contact Type</b>	<b>P = Pins, Plug Side S = Sockets, Plug Side</b>
<b>Alternate Key Position</b>	<b>W, X, Y, Z, Omit for Normal; See Table II</b>
<b>Mod Code</b>	<b>131 = Dry Lube, Omit for None</b>



Dimensions			
Shell Size	A Max	B Max	Length Max
08	.474 (12.0)	.750 (19.1)	1.375 (34.9)
10	.591 (15.0)	.859 (21.8)	1.375 (34.9)
12	.751 (19.1)	1.031 (26.2)	1.375 (34.9)
14	.875 (22.2)	1.156 (29.4)	1.375 (34.9)
16	1.001 (25.4)	1.281 (32.5)	1.375 (34.9)
18	1.126 (28.6)	1.391 (35.3)	1.375 (34.9)
20	1.251 (31.8)	1.531 (38.6)	1.500 (38.1)
22	1.376 (35.0)	1.656 (42.1)	1.500 (38.1)
24	1.501 (38.1)	1.777 (45.1)	1.500 (38.1)

#### INTERMATEABLE WITH THE FOLLOWING CONNECTORS:

MIL-DTL-83723 Series I  
 40M39569  
 PAN 6432-1  
 NFC C93-422 (HE301B)  
 NFC C93-422 (HE302)  
 NFC C93-422 (HE312)  
 VG 95328

\*Add Modification Code 131 for Dry Lubricant on inside surfaces of Coupling Nut.

May not be suitable for space applications.



# Sav-Con<sup>®</sup> connector savers

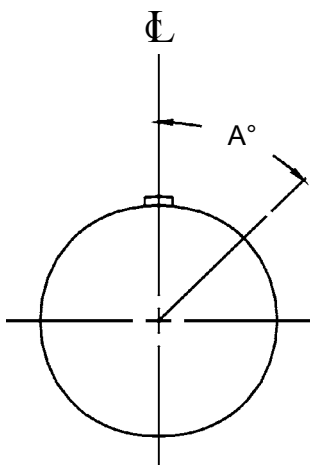
## MIL-DTL-26482 Series I and II

### Reference Information



**Table I: Material and Finish**

Plating Code	Material	Finish
M	Aluminum	Electroless Nickel
B		Cad Plate, Olive Drab
NF		Cadmium Plate Olive Drab over Electroless Nickel
NC		Zinc-Cobalt
ZN		Olive Drab Zinc-Nickel
MT		Ni-PTFE 1000 Hour Grey™ (Nickel Fluorocarbon Polymer)
ZR		Zinc Nickel, Black
ME		Electroless Nickel (RoHS)
ZL	Stainless Steel	Electro-Deposited Nickel



**FACE VIEW RECEPTACLE**

To avoid cross-plugging problems in applications requiring the use of more than one connector of the same size and arrangement, alternate positions are available.

In alternate positions, the pin insert rotates clockwise the same number of degrees relative to the center line of the master key or keyway. The socket insert would be rotated counter-clockwise the same number of degrees in respect to the normal shell key.

**Table IV: Capacitor Array Code Capacitance Range for Filtered connectors**

Class	Pi - Circuit (pF)	C - Circuit (pF)
X*	160,000 - 240,000	80,000 - 120,000
Y*	80,000 - 120,000	40,000 - 60,000
Z*	60,000 - 90,000	30,000 - 45,000
A	38,000 - 56,000	19,000 - 28,000
B	32,000 - 45,000	16,000 - 22,500
C	18,000 - 33,000	9,000 - 16,500
D	8,000 - 12,000	4,000 - 6,000
E	3,300 - 5,000	1,650 - 2,500
F	800 - 1,300	400 - 650
G	400 - 600	200 - 300
J	70-120	35-60

\* Filter Classes X, Y and Z are 250 VDC.  
All others are 500 VDC

**Table II: Insert Arrangement and Alternate Positioning**

Shell Size Desig.	Insert Arrangement Dash No	Contact Size: Quantity			Alternate Insert Positions			
		20	16	12	A Degrees			
					W	X	Y	Z
8	8-2	2			58	122	-	-
	8-3	3			60	210	-	-
	8-4	4			45	-	-	-
	8-33	3			90	-	-	-
	8-98	3			-	-	-	-
10	10-6	6			90	-	-	-
	10-98	6			90	180	240	270
12	12-3		3		-	-	180	-
	12-4		4		38	-	-	-
	12-8	8			90	112	203	292
	12-10	10			60	155	270	295
14	12-14	14			60	155	270	295
	14-4			4	45	-	-	-
	14-5		5		40	92	184	273
	14-9	5		4	15	90	180	240
	14-12	8	4		43	90	-	-
	14-15	14	1		17	110	155	234
	14-18	18			15	90	180	270
16	14-19	19			30	165	315	-
	14-22	1		4	45	-	-	-
	16-8		8		54	152	180	331
	16-14	8		6	25	78	180	240
	16-23	22	1		158	270	-	-
	16-26	26			60	-	275	338
18	16-99	21	2		66	156	223	340
	18-11		11		62	119	241	340
	18-30	29	1		180	193	285	350
	18-32	32			85	138	222	265
20	18-85	5		8	45	90	180	240
	20-16		16		238	318	333	347
	20-24	24			70	145	215	290
	20-25	25			72	144	216	288
	20-27	27			72	144	216	288
	20-39	37	2		63	144	252	333
	20-41	41			45	126	225	-
22	20-90	3		12	18	60	240	270
	22-12			12	-	-	-	-
	22-19			19	15	90	-	-
	22-21		21		16	135	175	349
	22-32	32			72	145	215	288
	22-34	34			62	142	218	298
	22-36	36			72	144	216	288
	22-37	31	6		90	180	270	-
	22-41	27	14		39	135	264	-
	22-55	55			30	142	226	314
24	22-95	26		6	26	180	266	-
	24-19			19	30	165	315	-
	24-27	11		16	45	110	140	225
	24-31		31		90	225	255	-
	24-61	61			90	180	270	324

B