

# LP0805 Harmonic Low Pass Filter



LP0805H0750ASTR



## ITF TECHNOLOGY

The ITF SMD Filter is based on thin-film multilayer technology. The technology provides a miniature part with excellent high frequency performance and rugged construction for reliable automatic assembly. The ITF Filter is offered in a variety of frequency bands compatible with various types of high frequency wireless systems.

## FEATURES

- Small size: 0805
- Characteristic impedance: 50Ω
- Frequency band: Band 13 746-756MHz
- Operating / Storage temp: -40°C – +85°C
- Low profile
- Rugged construction
- Taped and reeled
- RoHS compliant

## APPLICATIONS

- Mobile communications
- Satellite TV receivers
- GPS
- Vehicle location systems
- Wireless LAN's

## HOW TO ORDER

**LP**   **0805**   **H**   **XXXX**   **A**   **S**   **TR**  
 |   |   |   |   |   |   |  
 Series   Size   Type   Frequency   Sub-Type   Termination   Taped & Reeled  
 (MHz)



## FINAL QUALITY INSPECTION

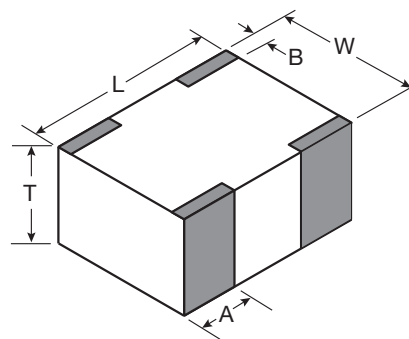
Finished parts are 100% tested for electrical parameters and visual/mechanical characteristics. Each production lot is evaluated on a sample basis for:

- Static Humidity: 85°C, 85% RH, 160 hours
- Endurance: 125°C, I<sub>R</sub>, 4 hours

## TERMINATION

Nickel/ Lead free Solder coating (Sn100) compatible with automatic soldering technologies: reflow, wave soldering, vapor phase and manual.

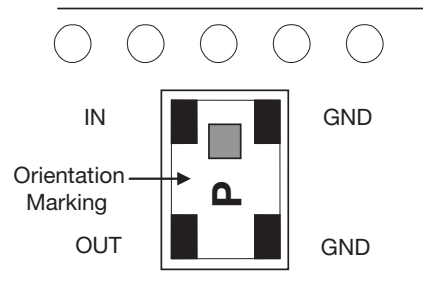
## DIMENSIONS (Top View)



mm (inches)

<b>L</b>	2.03±0.10 (0.080±0.004)
<b>W</b>	1.55±0.10 (0.061±0.004)
<b>T</b>	0.80±0.25 (0.031±0.010)
<b>A</b>	0.56±0.10 (0.022±0.004)
<b>B</b>	0.35±0.15 (0.014±0.006)

## TERMINALS AND LAYOUT (Top View)



# LP0805 Harmonic Low Pass Filter

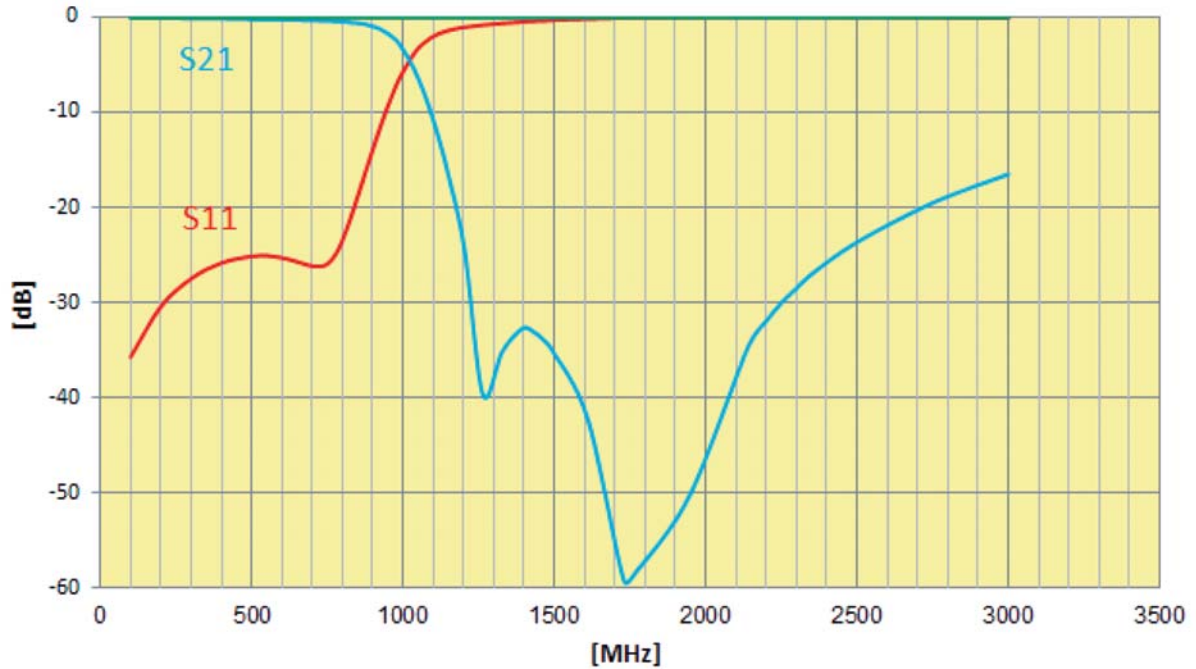


LP0805H0750ASTR

## ELECTRICAL CHARACTERISTICS

Part Number	Frequency (MHz)	I.Loss max.	VSWR max.	Attenuation (dB)
LP0805H0750ASTR	Band 13 DL (746-756MHz)	-0.4dB	1.7	2d Harmonic 1492-1512MHz: -37dB 3d Harmonic 2238-2268MHz: -33dB

## TYPICAL ELECTRICAL PERFORMANCE



# Mouser Electronics

Authorized Distributor

Click to View Pricing, Inventory, Delivery & Lifecycle Information:

[AVX:](#)

[LP0805H2900ASTR](#) [LP0805H0750ASTR](#) [LP0805H0750ASTR\500](#) [LP0805H2900ASTR\500](#) [LP0805H2400ASTR](#)  
[LP0805H1800ASTR](#)