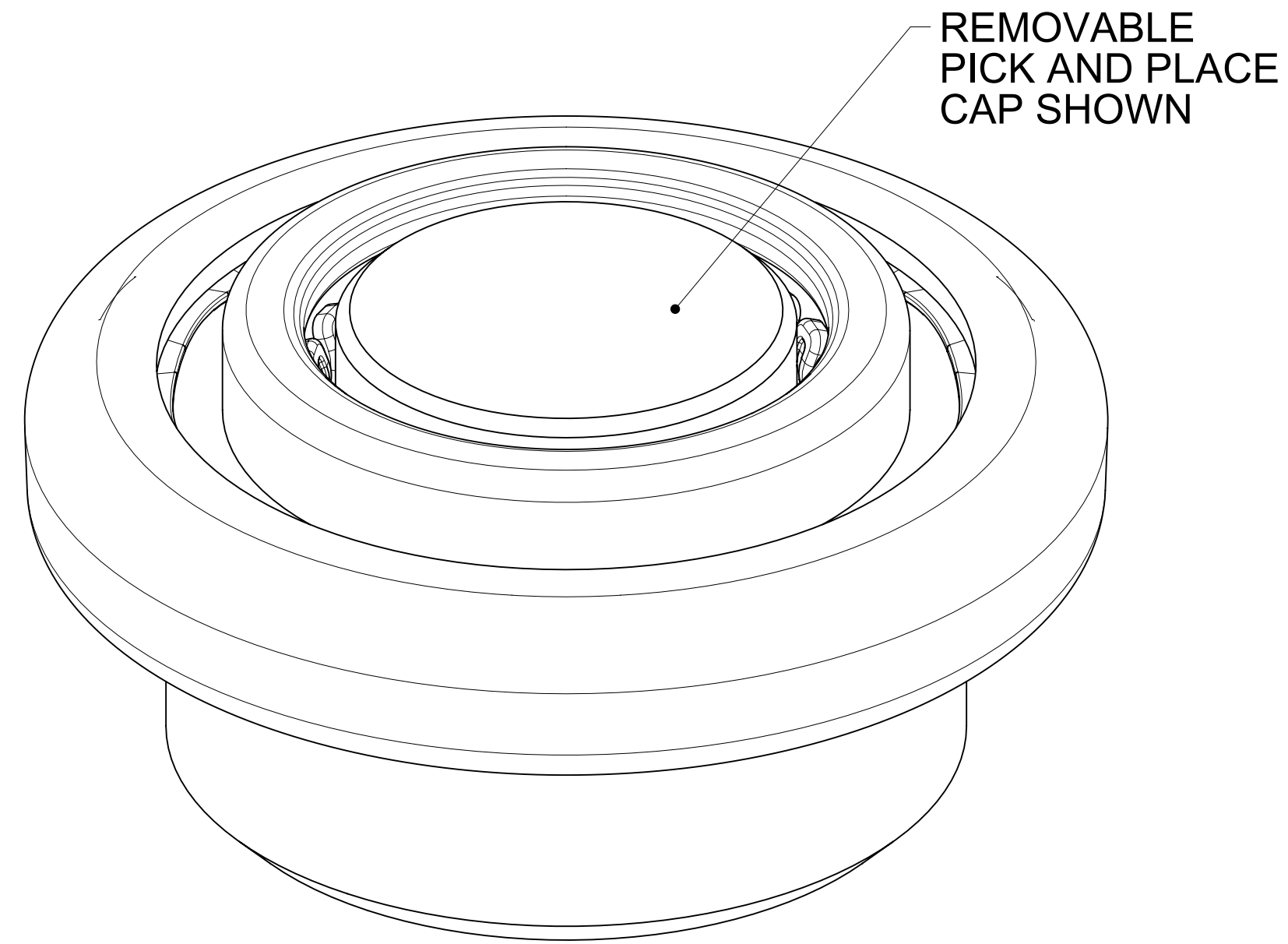
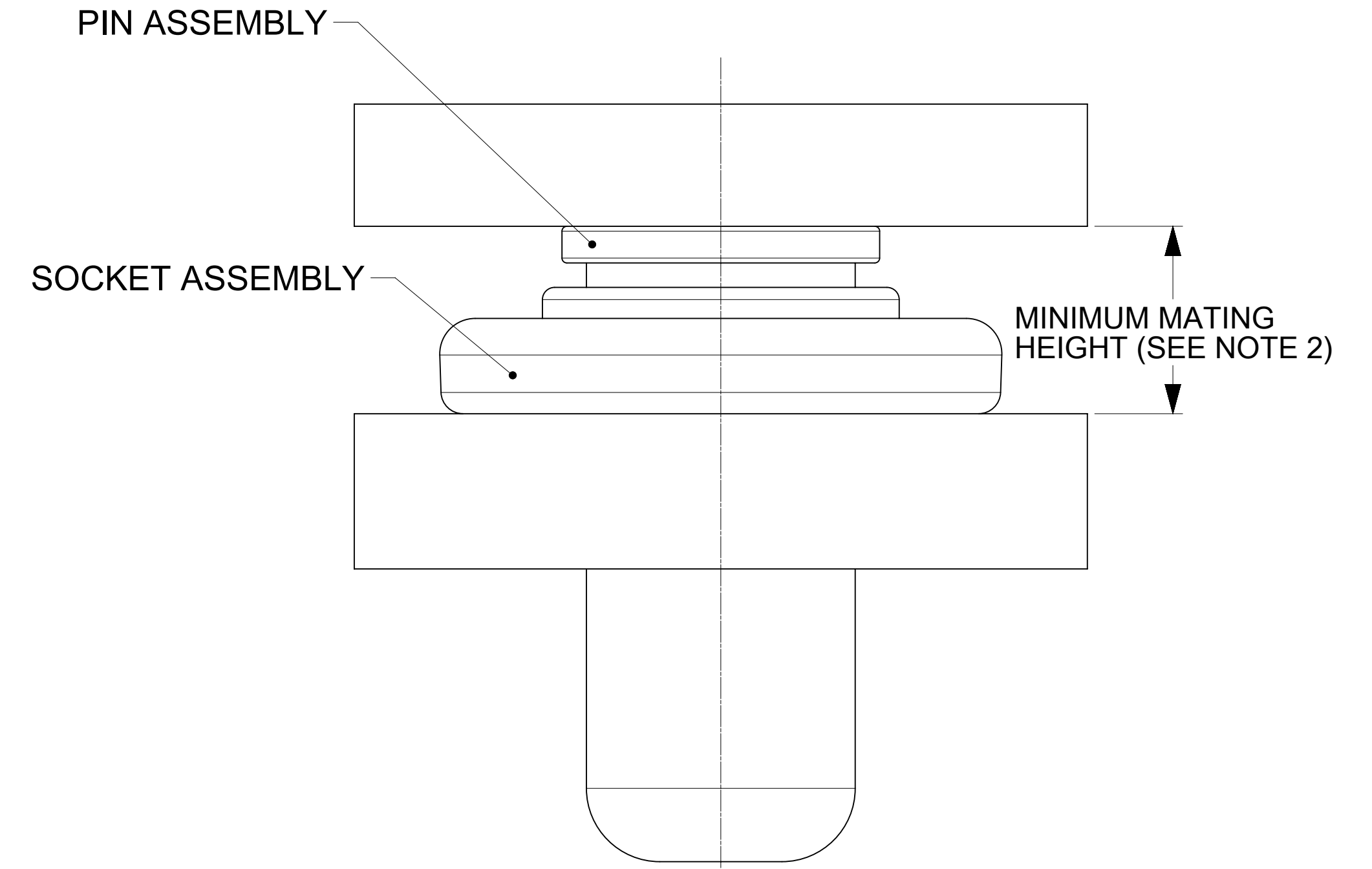
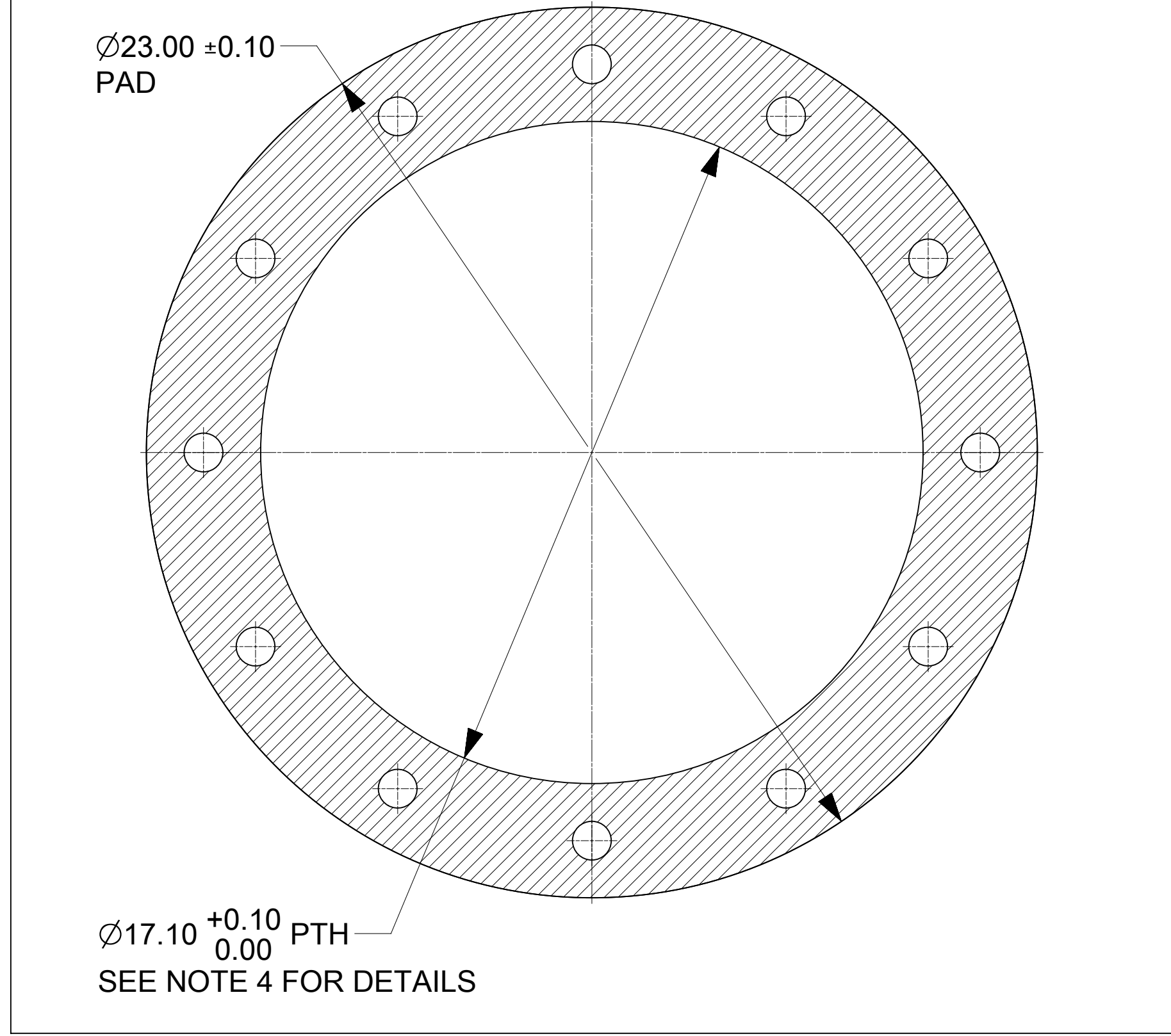


PART NUMBER	DIM "H"	NOTE
213880-0001	5.17 ± 0.3	



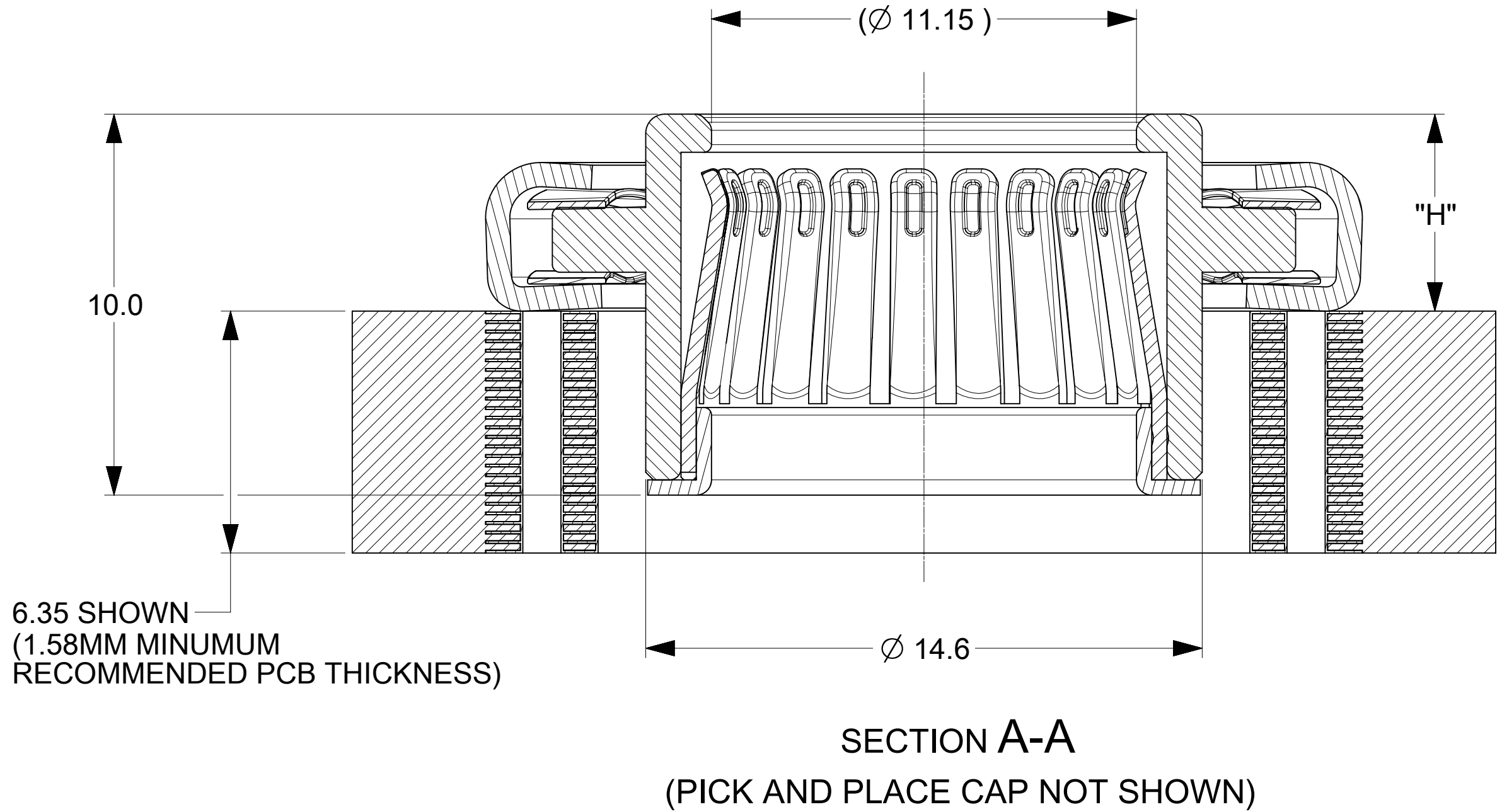
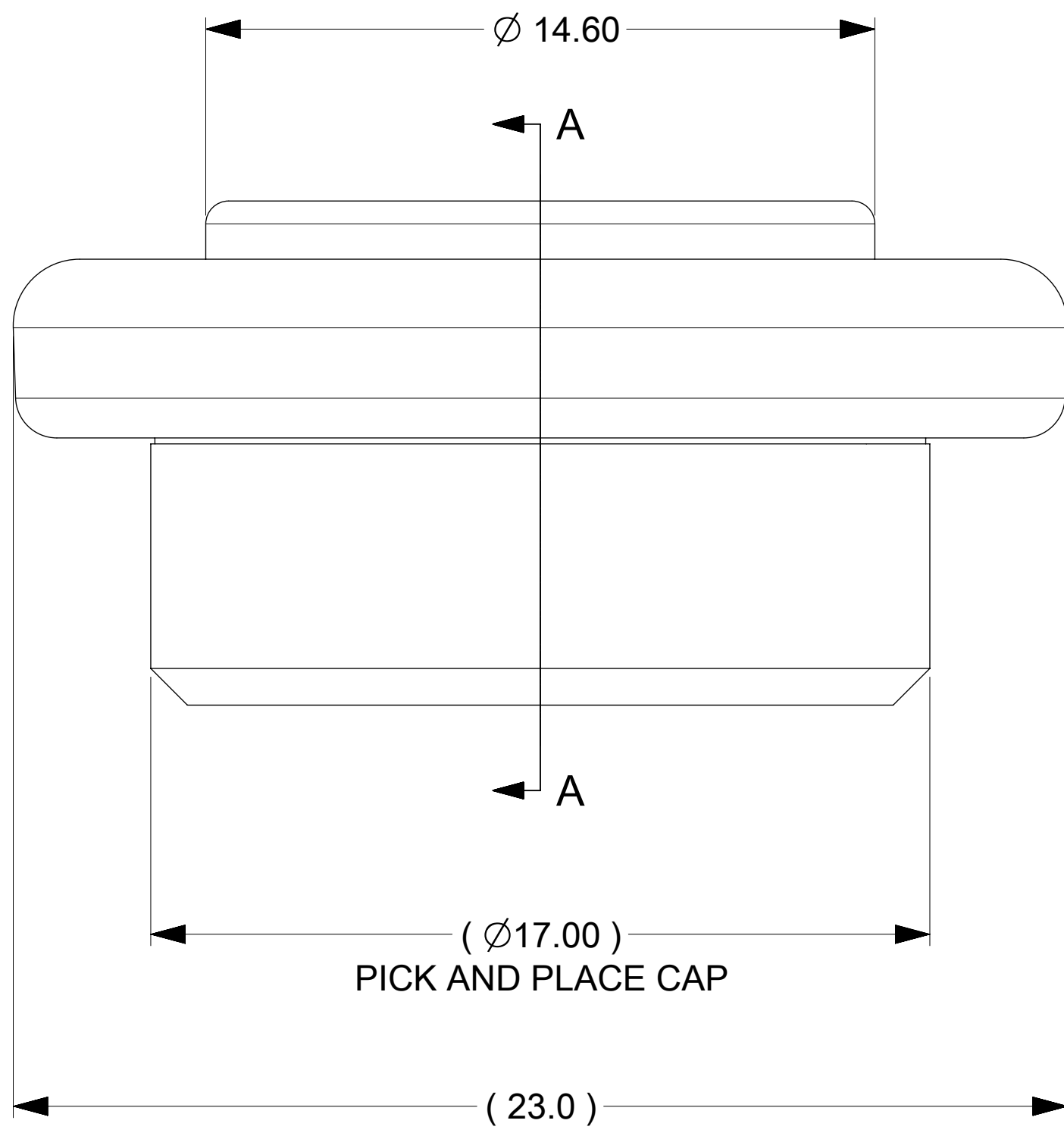
### RECOMMENDED PCB LAYOUT



### MATING PROFILE

#### NOTES:

- MATERIALS:  
RETENTION CAP: STAINLESS STEEL  
PICK AND PLACE CAP: LCP UL94, V-0 COLOR BLACK  
BASE METAL: HIGH CONDUCTIVE COPPER ALLOY  
PLATING ON CONTACTS: 0.75 MICRON MIN GOLD OVER 1.27 MICRON MIN NICKEL  
PLATING ON BODY: 3.18 MICRON MIN SILVER OVER 1.27 MICRON MIN NICKEL
- MATES WITH MOLEX 11MM MALE PIN:
  - 11.0MM SMT MALE PIN DRAWING 213901-0000-SD, MIN. MATING DISTANCE 7.32MM
  - 11.0MM PRESS FIT MALE PIN DRAWING 213900-0000-SD, MIN. MATING DISTANCE 7.67MM
  - 11.0MM SCREW MOUNT MALE PIN DRAWING 213902-0000-SD, MIN. MATING DISTANCE 10.67MM
- PRODUCT SPECIFICATION: 2138800001-PS
- APPLICATION SPECIFICATION: 2138800001-AS  
SEE APPLICATION SPEC FOR SOLDERING INFORMATION.
- PACKAGING SPECIFICATION: 2138800001-PK(TAPE AND REEL)
- SILVER COMPONENTS WILL BE SUPPLIED TARNISH FREE BUT MAY TARNISH OVER TIME.
- PICK AND PLACE CAP TO BE REMOVED AFTER SOLDERING.  
CAP TO BE PUSHED OUT OF BOTTOM FROM THE TOP.



THIS DRAWING CONTAINS INFORMATION THAT IS PROPRIETARY TO MOLEX ELECTRONIC TECHNOLOGIES, LLC AND SHOULD NOT BE USED WITHOUT WRITTEN PERMISSION											
DIMENSION UNITS		SCALE		CURRENT REV DESC: UPDATED THE TOLERANCE VALUE AND THE TITILE BLOCK							
mm		NTS									
GENERAL TOLERANCES (UNLESS SPECIFIED)				EC NO: 747243							
ANGULAR TOL ± 0.5°				DRWN: SOURAJ		2023/02/16		11.0MM SENTRALITY TOP ENTRY SMT SOCKET WITH FLOAT IN T&R			
4 PLACES ±				CHK'D: SCS02		2023/04/25		PRODUCT CUSTOMER DRAWING			
3 PLACES ±				APPR: HTHYAGARAJ		2023/04/26		DOCUMENT NUMBER			
2 PLACES ± 0.15				INITIAL REVISION:				DOC TYPE		DOC PART	
1 PLACE ± 0.25				DRWN: TOMLU		2019/08/08		PSD		000	
0 PLACES ±				APPR: BPISZCZOR		2020/10/19		REVISION		A2	
DRAFT WHERE APPLICABLE MUST REMAIN WITHIN DIMENSIONS				THIRD ANGLE PROJECTION		DRAWING		MATERIAL NUMBER		CUSTOMER	
				D-SIZE		213880		SEE CHART		GENERAL MARKET	
								SHEET NUMBER		1 OF 1	