

6

5

4

3

2

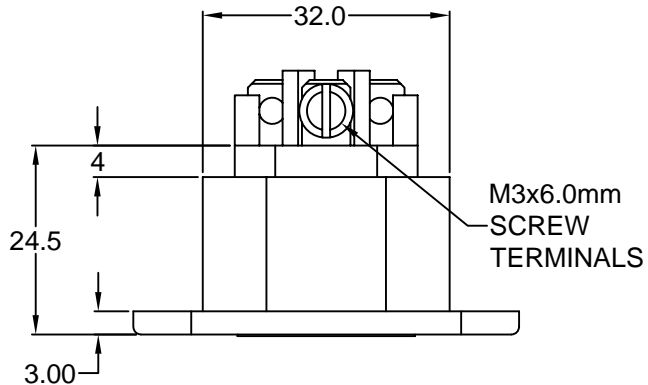
1

MATERIAL AND FINISH:

Insulator: Polycarbonate, UL-94V-0 rated
Contacts: Brass
Screw: Brass, Nickel Plated over Copper
Nut: Brass, Nickel Plated

ELECTRICAL SPECIFICATIONS:

Current rating: 10 A/15 A
Voltage rating: 250 VAC
Insulation resistance: 100 Mohm min. at 500 VDC
Dielectric withstanding voltage: 2000 VAC for one minute



ORDERING CODE:



43R02-1 1
 1 2




1) COLOR

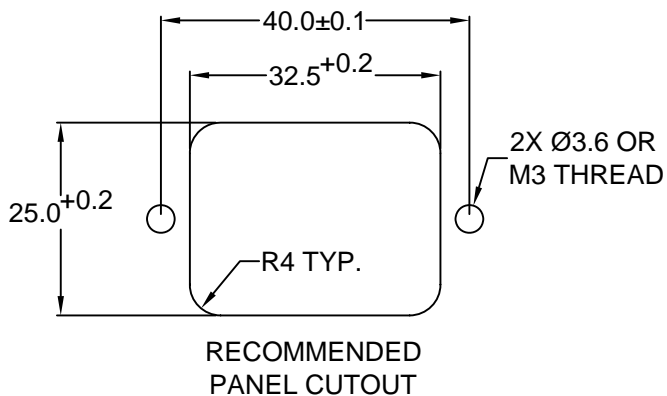
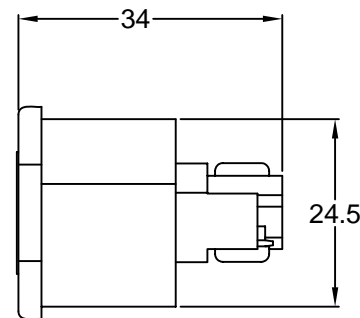
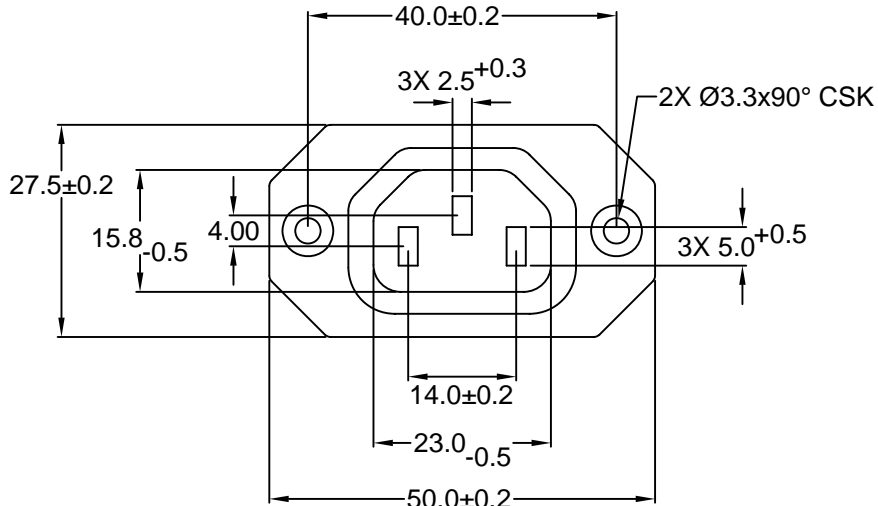
1 = BLACK
2 = GRAY

2) ELECTRICAL CIRCUIT CONFIGURATION

1 = 10A 250V 70°C 

15A 250V 70°C  

2 = 10A 250V 120°C 
15A 250V 120°C  



RoHS COMPLIANT

TOLERANCE UNLESS OTHERWISE SPECIFIED	
X	± 1
X.X	± 0.4
X.XX	± 0.20
DRAWN BY	GQ
DATE:	10/04/01
CHECK BY	TD
DATE:	10/09/01
APPR BY	PB
DATE:	10/09/01

Power Dynamics, Inc.
Phone: 973 560-0019 Whippany, New Jersey Fax: 973 560-0076

PART: 10A/15A IEC 60320 APPL. OUTLET; SCREW TERMINALS; SIDE FLANGE, PANEL MOUNT

43R02-1X1X SHEET 1 of 1

SCALE: NTS ALL DIMENSIONS FOR REFERENCE ONLY DIMENSIONS ARE IN MILLIMETERS REV:

D

C

B

A

REV	DATE	CHANGE	CHNG	CHK	APPR

6

5

4

3

2

1