



12*5mm 5V RGB LED Neon Flex



Product Description

This is 12*5mm RGB LED Neon flex strip. It can be shaped, bent to be logo or sign.

DIY installation. It can be cut as the length you want.

Cutting marks are clearly visible on the strip body. Minimum cutting unit: 16.6mm.

Standard length is 5m(length per roll can be customized).

Voltage is DC5V. Wires should be connected correctly according to the connecting diagram offered.



Uniform luminance, no light spots, IP67 silicon extrusion waterproof.

Easy and safe to be used and operated.

High brightness, impact Resistant, anti-yellowing, good transparency.

High efficiency SMD RGB LED chip, fire resistance.

Anti - UV, Anti - Corrosion and deformation resistance.



Product Datasheet

Product Number	N012060CA3SA1
LED Type	SMD 5050 RGB
LED Quantity	60 leds/m
Material	Silicon
Bending Direction	Vertically
CCT	RGB
Cutting unit	16.67 MM
Operating Voltage	DC5V
Power (W)	14 W/M
Dimension	1000*12*5 MM
IP	IP65
Net Weight	0.4kg/roll (5m)
Operation Temperature	- 40 ~ 50 °C

Application



Hotels, restaurants, nights clubs.

Advertising signs, brightening.

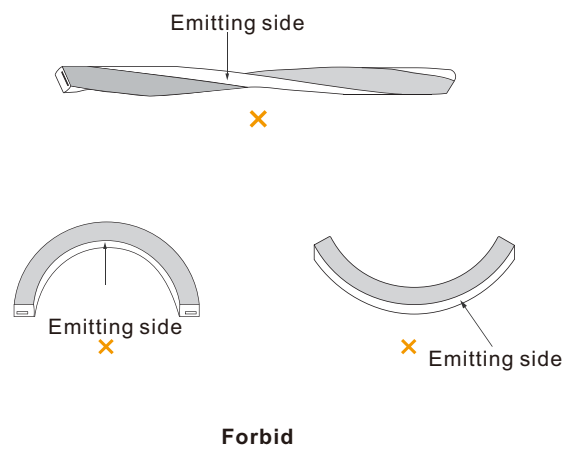
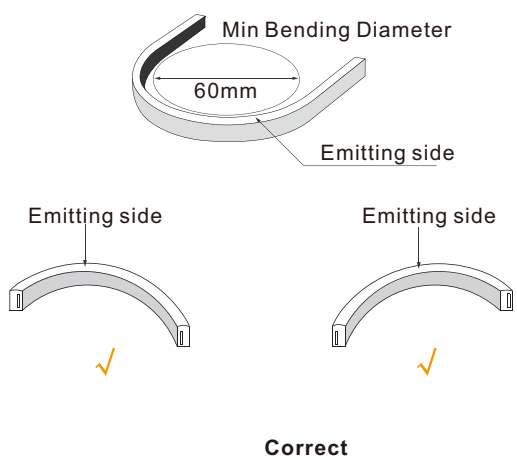


Back lighting, edge lighting.

Dancefloor background.



Correct bending way



Correct bending



Face to the lighting surface and fold the strip.
The minimum bending diameter is 80mm



Lighting surface upwards and the strip can be bent to right or left naturally, The minimum bending diameter is 100mm

Incorrect bending way



Face to the side surface (as the picture shows),
Do not bend it downward to damage the strip.



(as the picture shows) please do not twist the strip,
or it will be damaged



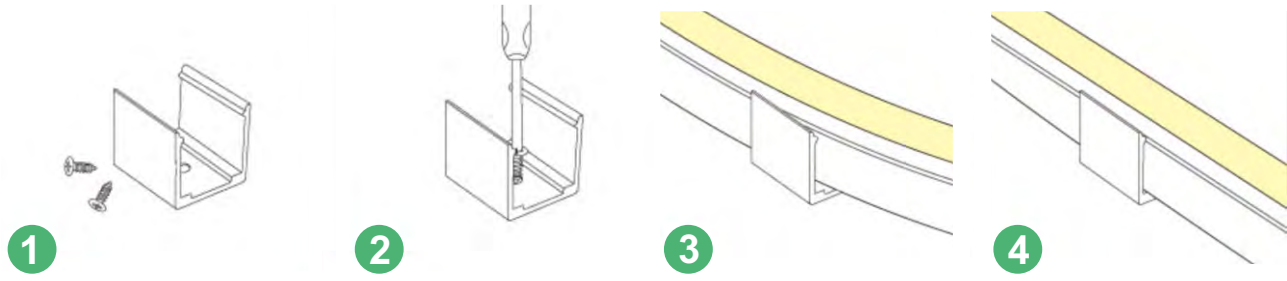
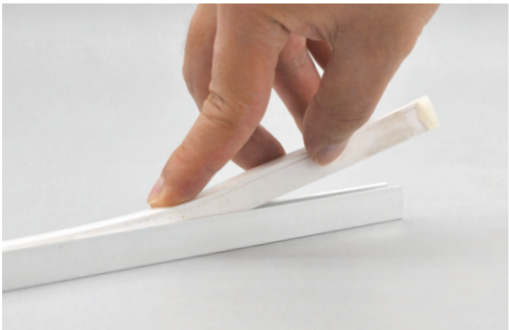
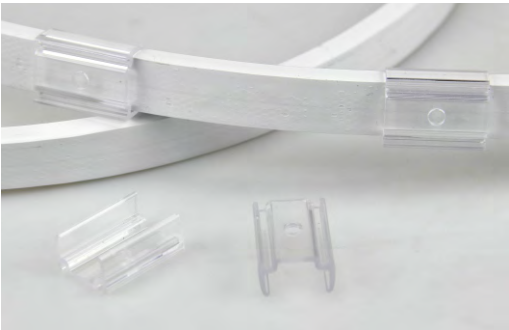
Installation



clips
20x14x8mm(LxWxH)



profile
1000x14x8mm(LxWxH)



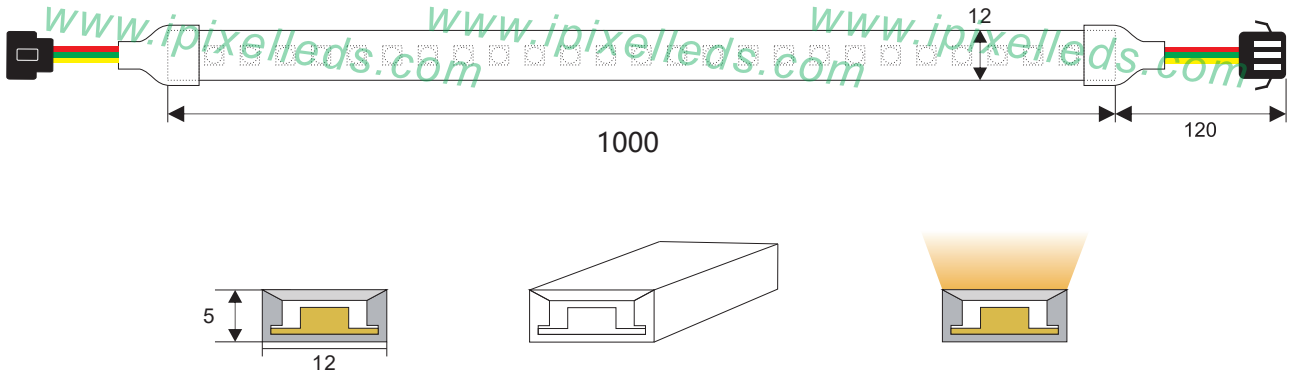
Accessory(Excluded)

Name	Aluminum extrusion	Silicone glue	End cap	Mount clip
installation				
Remarks	L:1000 mm	10 ml/pc		

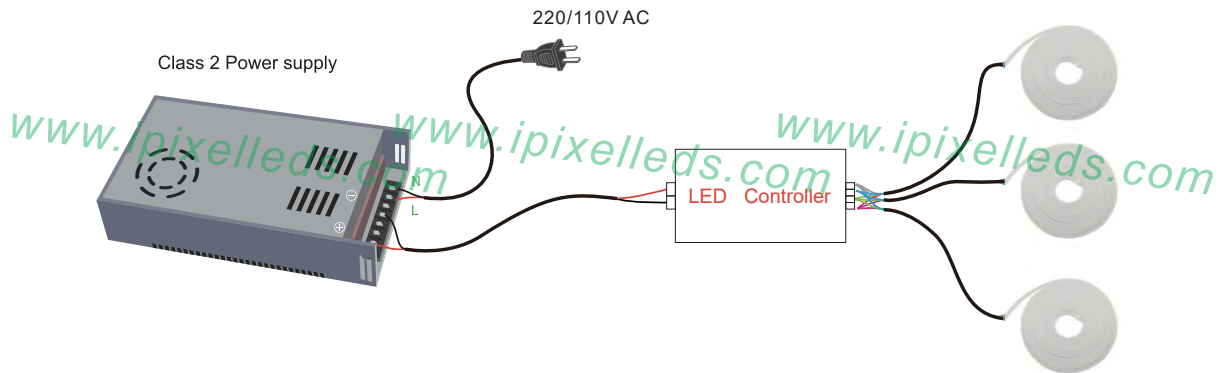


iPixel LED Light Co., Ltd

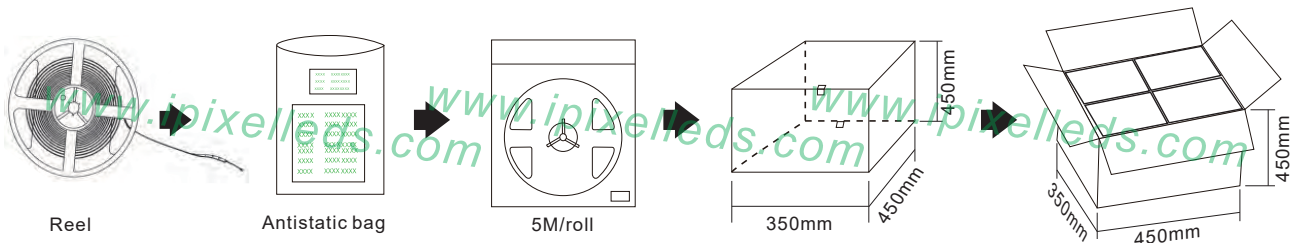
Outline Dimension (unit:mm)



Connection



Product packaging



Product number	Standard length	Quantity / volume	outer carton size	Weight(kg)/reel
N012060CA3SA1	5M	240 Reels	L450xW350xH450mm	0.4kg
/				/
/				/
/				/
/				/
/				/