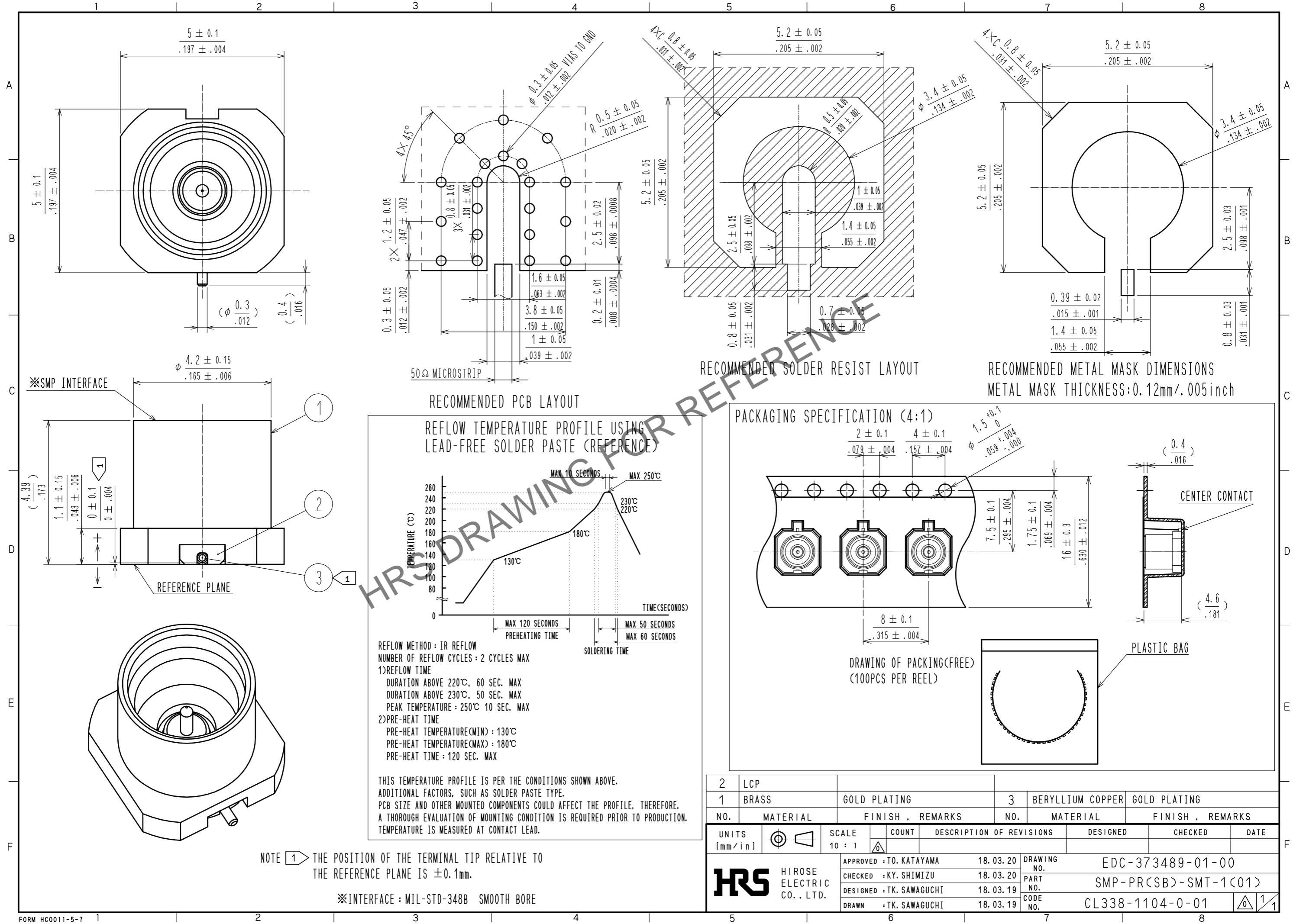


Jun.1.2024 Copyright 2024 HIROSE ELECTRIC CO., LTD. All Rights Reserved.
In case of consideration for using Automotive equipment / device which demand high reliability, kindly contact our sales window correspondents.



NOTE 1 THE POSITION OF THE TERMINAL TIP RELATIVE TO THE REFERENCE PLANE IS ±0.1mm.

※INTERFACE: MIL-STD-348B SMOOTH BORE

2	LCP			3	BERYLLIUM COPPER	GOLD PLATING		
1	BRASS	GOLD PLATING						
NO.	MATERIAL	FINISH	REMARKS	NO.	MATERIAL	FINISH	REMARKS	
UNITS	[mm/in]	SCALE	10:1	COUNT	DESCRIPTION OF REVISIONS	DESIGNED	CHECKED	DATE
APPROVED: TO. KATAYAMA		18.03.20		DRAWING NO.		EDC-373489-01-00		
CHECKED: KY. SHIMIZU		18.03.20		PART NO.		SMP-PR(SB)-SMT-1(C01)		
DESIGNED: TK. SAWAGUCHI		18.03.19		CODE NO.		CL338-1104-0-01		
DRAWN: TK. SAWAGUCHI		18.03.19						