

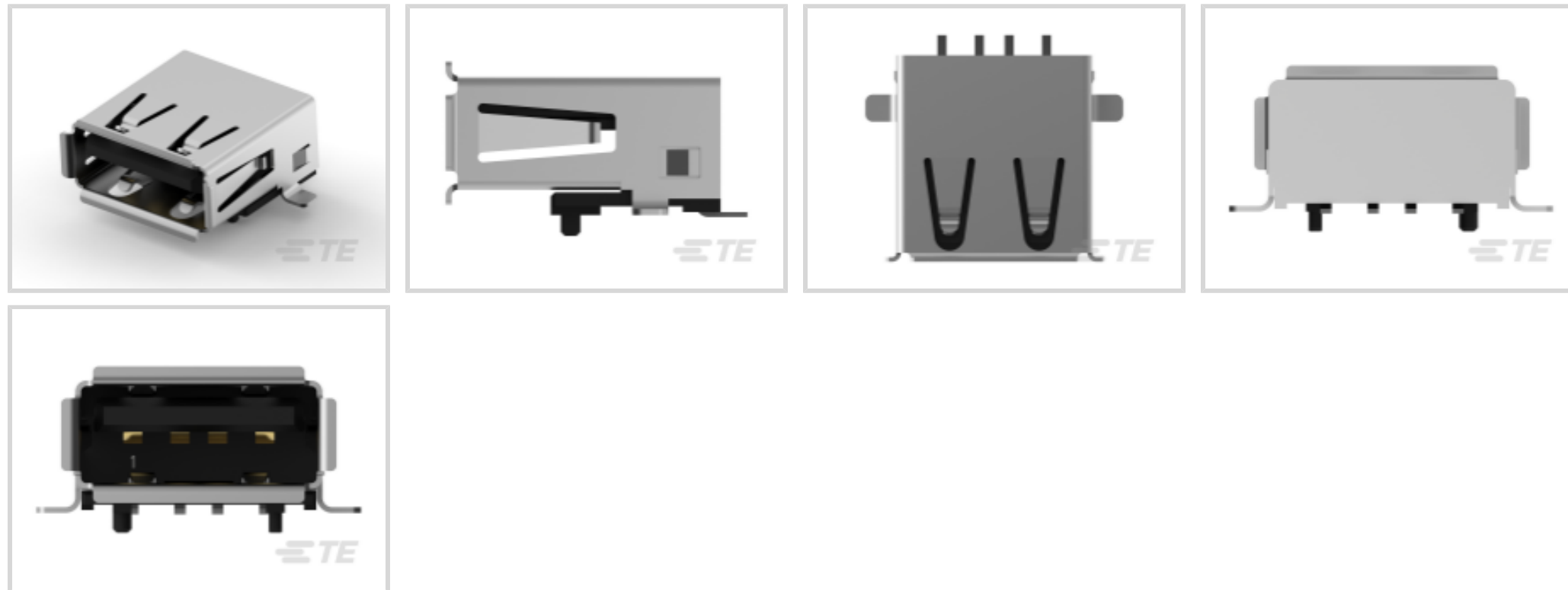


TE Internal #: 292303-4

A, 2.0, Standard Profile, Receptacle, 1 Port, Top, Right Angle, Box & Tube / Tube, Flush, Through Hole - Solder, Cable-to-Board, USB Connectors

[View on TE.com >](#)

Connectors > Audio & Video Connectors > USB Connectors



USB Adapter Type: **A**

USB Version: **2.0**

Connector Profile: **Standard**

Connector & Housing Type: **Receptacle**

Number of Ports: **1**

### Features

#### Product Type Features

|                                   |                       |
|-----------------------------------|-----------------------|
| USB Adapter Type                  | A                     |
| USB Version                       | 2.0                   |
| Connector & Housing Type          | Receptacle            |
| Connector System                  | Cable-to-Board        |
| Connector & Contact Terminates To | Printed Circuit Board |
| USB Connector Type                | USB 2.0 Type-A        |

#### Configuration Features

|                         |   |
|-------------------------|---|
| Number of Mounting Legs | 2 |
| Number of Ports         | 1 |
| Number of Positions     | 4 |

#### Body Features

|                        |          |
|------------------------|----------|
| Shell Plating Finish   | Bright   |
| Shell Plating Material | Tin      |
| Connector Profile      | Standard |



### Contact Features

|  |  |
|--|--|
| Contact Mating Area Plating Material Thickness | .76 µm[29.92 µin]                        |
| Contact Mating Area Plating Material           | Gold or Gold Flash over Palladium Nickel |
| Contact Current Rating (Max)                   | 1 A                                      |

### Termination Features

|                                |                       |
|--------------------------------|-----------------------|
| Termination Post & Tail Length | 2.84 mm[.112 in]      |
| Termination Method to PCB      | Through Hole - Solder |

### Mechanical Attachment

|                          |             |
|--------------------------|-------------|
| Locking Feature          | With        |
| PCB Mount Location       | Top         |
| PCB Connector Seating    | Flush       |
| PCB Mount Retention Type | Kinked Legs |
| Panel Mount Feature Type | Flange      |
| Connector Mounting Type  | Board Mount |

### Housing Features

|                    |                                |
|--------------------|--------------------------------|
| Housing Material   | Thermoplastic                  |
| Housing Color      | Black                          |
| Body Orientation   | Right Angle                    |
| Centerline (Pitch) | 2 mm, 2.5 mm[.078 in][.098 in] |

### Dimensions

|                             |                  |
|-----------------------------|------------------|
| PCB Thickness (Recommended) | 1.57 mm[.062 in] |
|-----------------------------|------------------|

### Usage Conditions

|                             |                           |
|-----------------------------|---------------------------|
| Soldering Temperature (Max) | 260 °C[500 °F]            |
| Mating Cycles (Max)         | 1500                      |
| Operating Temperature Range | -55 – 85 °C[-67 – 185 °F] |

### Operation/Application

|                     |                |
|---------------------|----------------|
| Halogen Free        | No             |
| Circuit Application | Power & Signal |

### Industry Standards

|                            |          |
|----------------------------|----------|
| Moisture Sensitivity Level | 1        |
| Industry Standard          | USB 2.0  |
| UL Flammability Rating     | UL 94V-0 |



### Packaging Features

|                    |                  |
|--------------------|------------------|
| Packaging Quantity | 30               |
| Packaging Method   | Box & Tube, Tube |

### Product Compliance

[For compliance documentation, visit the product page on TE.com>](#)

|   |   |
|---|---|
| EU RoHS Directive 2011/65/EU                  | Compliant   |
| EU ELV Directive 2000/53/EC                   | Compliant   |
| China RoHS 2 Directive MIIT Order No 32, 2016 | No Restricted Materials Above Threshold   |
| EU REACH Regulation (EC) No. 1907/2006        | Current ECHA Candidate List: JUNE 2024 (241)<br>Candidate List Declared Against: JUNE 2024 (241)<br>Does not contain REACH SVHC |
| Halogen Content                               | Low Halogen - Br, Cl, F, I < 900 ppm per homogenous material. Also BFR/CFR/PVC Free   |
| Solder Process Capability                     | Wave solder capable to 265°C  |

#### Product Compliance Disclaimer

This information is provided based on reasonable inquiry of our suppliers and represents our current actual knowledge based on the information they provided. This information is subject to change. The part numbers that TE has identified as EU RoHS compliant have a maximum concentration of 0.1% by weight in homogenous materials for lead, hexavalent chromium, mercury, PBB, PBDE, DBP, BBP, DEHP, DIBP, and 0.01% for cadmium, or qualify for an exemption to these limits as defined in the Annexes of Directive 2011/65/EU (RoHS2). Finished electrical and electronic equipment products will be CE marked as required by Directive 2011/65/EU. Components may not be CE marked. Additionally, the part numbers that TE has identified as EU ELV compliant have a maximum concentration of 0.1% by weight in homogenous materials for lead, hexavalent chromium, and mercury, and 0.01% for cadmium, or qualify for an exemption to these limits as defined in the Annexes of Directive 2000/53/EC (ELV). Regarding the REACH Regulation, the information TE provides on SVHC in articles for this part number is based on the latest European Chemicals Agency (ECHA) 'Guidance on requirements for substances in articles' posted at this URL: <https://echa.europa.eu/guidance-documents/guidance-on-reach>


### Compatible Parts



TE Part # 1827525-1  
MECHATROLINK II CONNECTOR KIT



TE Part # 1-1734028-1  
Std USB, Type A, Plug, Natural



TE Part # 1487599-1  
USB, A-BLUNT,28/28,BLK,0.83M



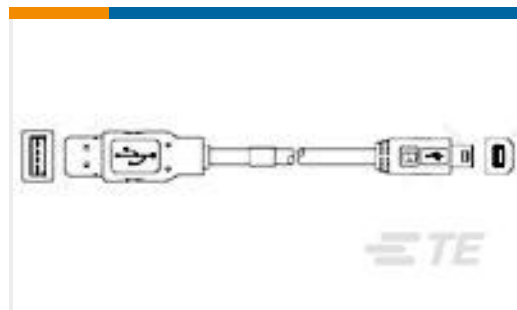
TE Part # 1734028-1  
Std USB Type A, Plug, Natural



TE Part # 1487593-1  
USB, A-BLUNT,28/24,WHT,2.0M



TE Part # 1-1734028-3  
Std USB, Type A, Plug



TE Part # 1496476-1  
STD USB-A TO MINI-B ASSY, 1M



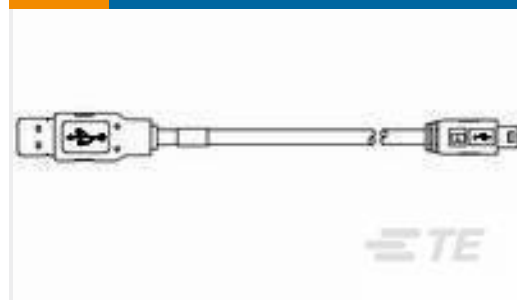
TE Part # 1487600-1  
USB, A-BLUNT,28/26,BLK,1.0M



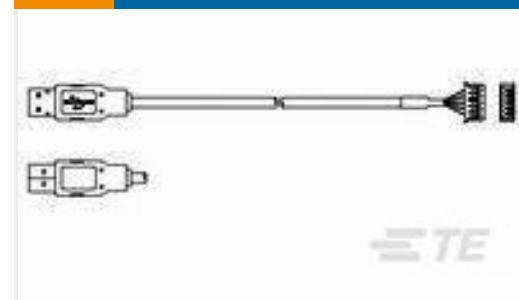
TE Part # 1487591-1  
USB, A-BLUNT,28/28,WHT,0.83M



TE Part # 1487593-2  
USB, A-BLUNT,28/24,WHT,1.5M

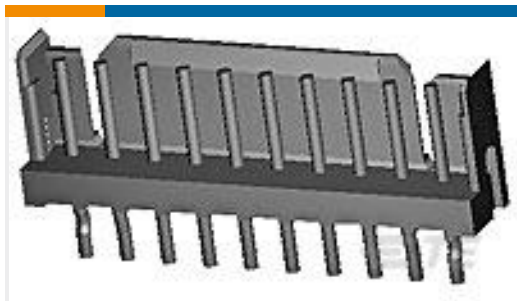


TE Part # 1929690-1  
USB CABLE, USB A to Mini USB,Blue



TE Part # 2142872-1  
cable assy, usb a plug to 5p hsg

## Customers Also Bought



TE Part #1-292161-0  
CT P/HDR ASSY V 10P W/KINK NAT



TE Part #2-1625984-2  
Power Resistors: Aluminum Housed, HSA



TE Part #2-1622825-5  
RL73K 3A R68 5% 1K REEL



TE Part #5569260-1  
STK MJ ASSY,8POS,2X2,SHLD,CAT5



TE Part #2-2176056-9  
RLP73K 2B R15 5% 5K RL



TE Part #1616008-5  
BH316A (FAA/PMA)=RELAY

## Documents

### Product Drawings

Std USB Type A, R/A, T/H

English

### CAD Files

3D PDF

3D

Customer View Model

ENG\_CVM\_CVM\_292303-4\_F.2d\_dxf.zip



English

Customer View Model

[ENG\\_CVM\\_CVM\\_292303-4\\_F.3d\\_igs.zip](#)

English

Customer View Model

[ENG\\_CVM\\_CVM\\_292303-4\\_F.3d\\_stp.zip](#)

English

By downloading the CAD file I accept and agree to the [Terms and Conditions](#) of use.

**Product Specifications**

[Application Specification](#)

English