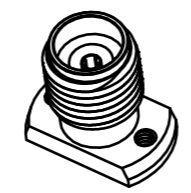
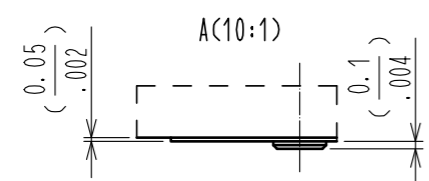
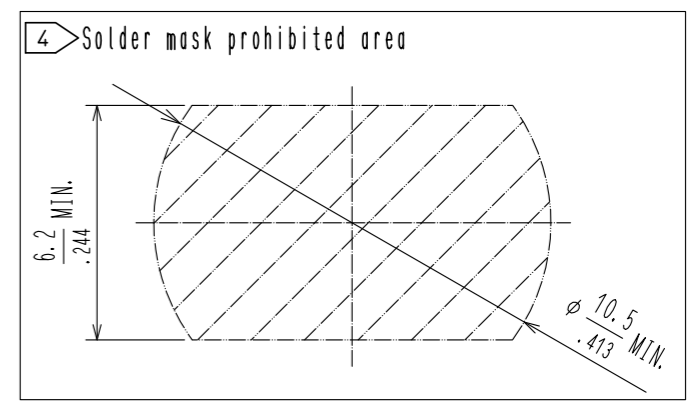
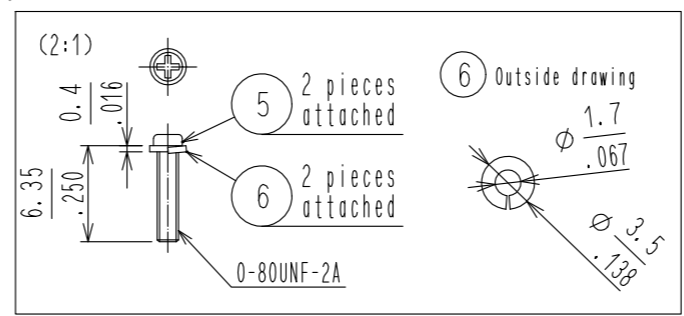
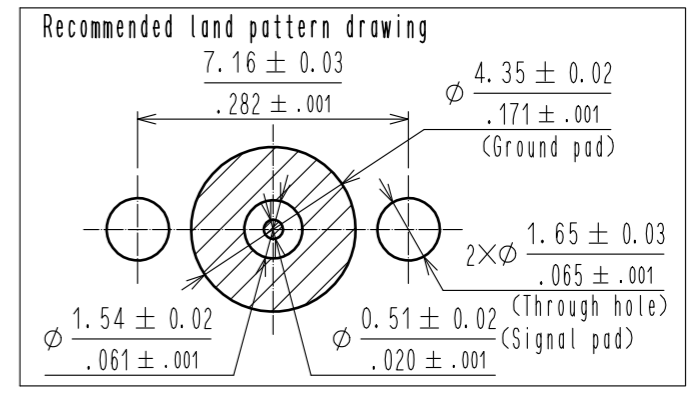
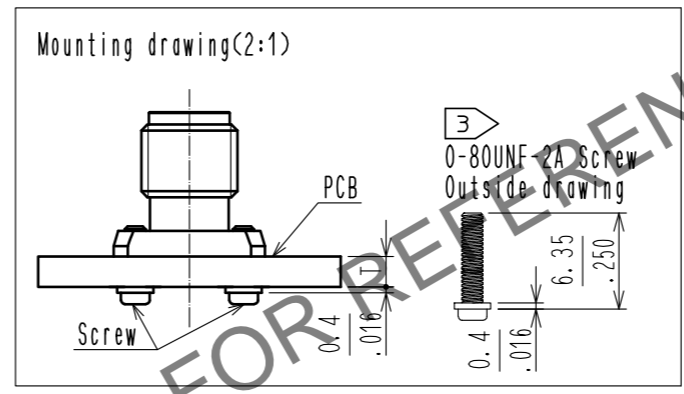
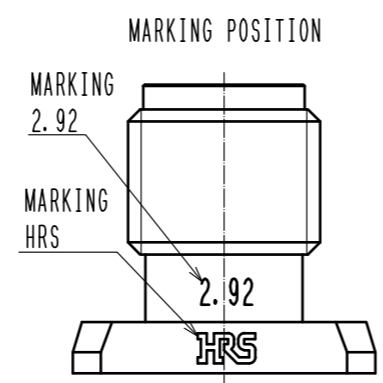
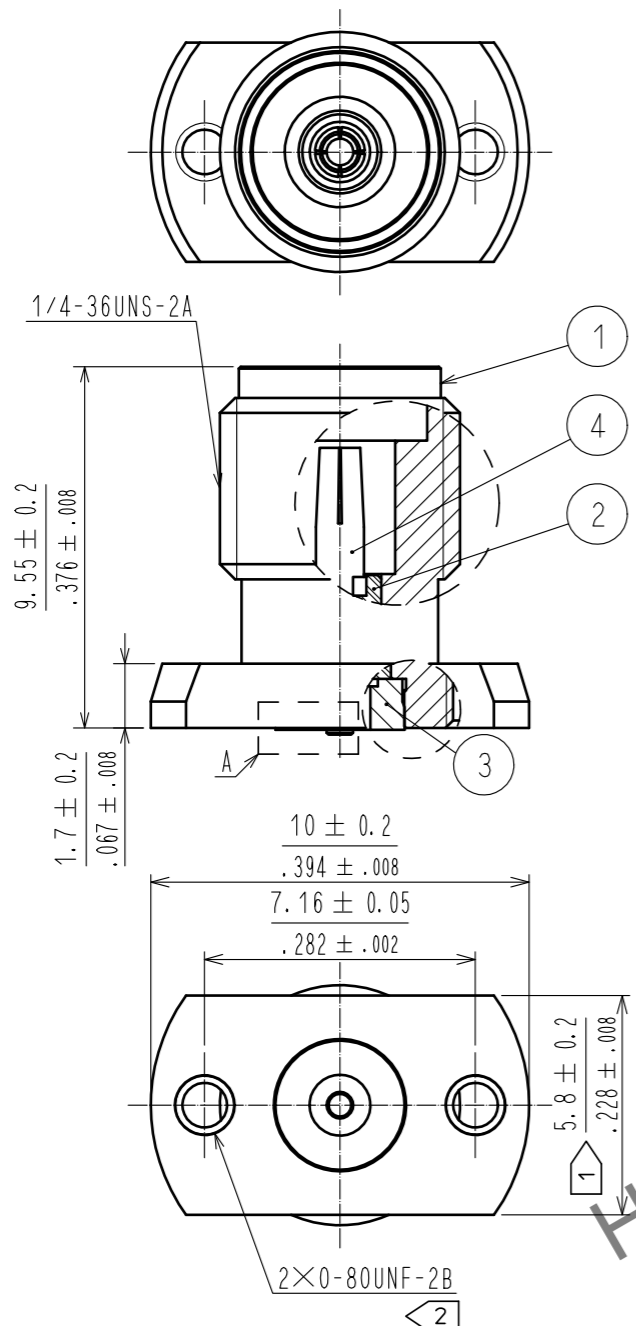


Jul.1.2024 Copyright 2024 HIROSE ELECTRIC CO., LTD. All Rights Reserved.  
 In case of consideration for using Automotive equipment / device which demand high reliability, kindly contact our sales window correspondents.



- 1 When mating the connector, please hold milling area of  $5.8 \pm 0.2$  with spanner not to place stress on PCB by the torque.
- 2 0-80UNF-2B Screw tightening torque is  $0.09N \cdot m$ . Please tighten the screws evenly when mounting the connectors to ensure stable electrical contact.
- 3 Please use attached screw and washer for PCB mounting. Attached screw and washer apply PCB thickness  $T=2.4$  to  $4.25mm$ .
- 4 Indicates the area that solder mask is prohibited.
5. This Product is a solderless mounted connector for prototype evaluation of high speed transmission boards. It is not recommended for use in actual commercial equipment.

3	STAINLESS STEEL	GOLD PLATING	6	STAINLESS STEEL	Spring washer			
2	PTFE		5	STEEL	0-80UNF-2A Screw			
1	STAINLESS STEEL	PASSIVATE	4	BERYLLIUM COPPER	GOLD PLATING			
NO.	MATERIAL	FINISH	REMARKS	NO.	MATERIAL	FINISH	REMARKS	
UNITS		SCALE	COUNT	DESCRIPTION OF REVISIONS		DESIGNED	CHECKED	DATE
mm		5 : 1	1	DIS-D-00016754		Y.J. HAGA	TS. KANEKO	20230904
<b>HRS</b> HIROSE ELECTRIC CO., LTD.		APPROVED : KY. SHIMIZU	20160830	DRAWING NO.		EDC-366760-11-01		
		CHECKED : TO. KATAYAMA	20160830	PART NO.		HK-R-SR2-1(11)		
		DESIGNED : TP. MATSUMOTO	20160829	CODE NO.		CL0338-0003-0-11		
		DRAWN : TP. MATSUMOTO	20160829					