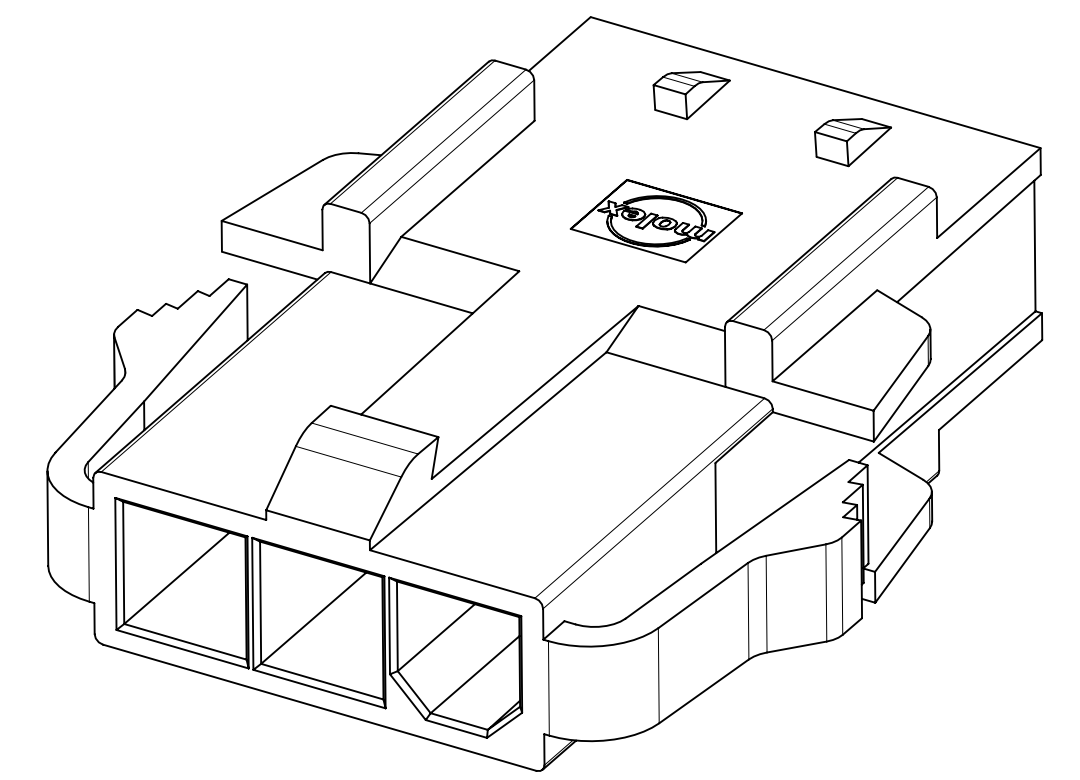
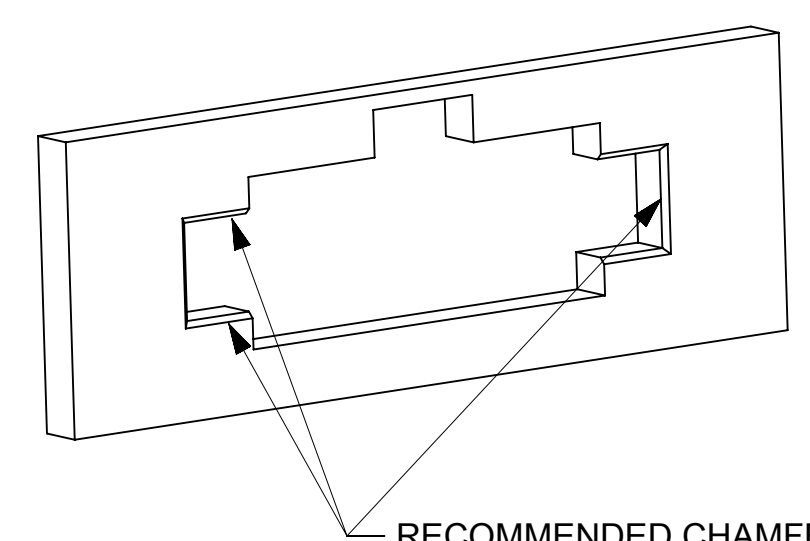
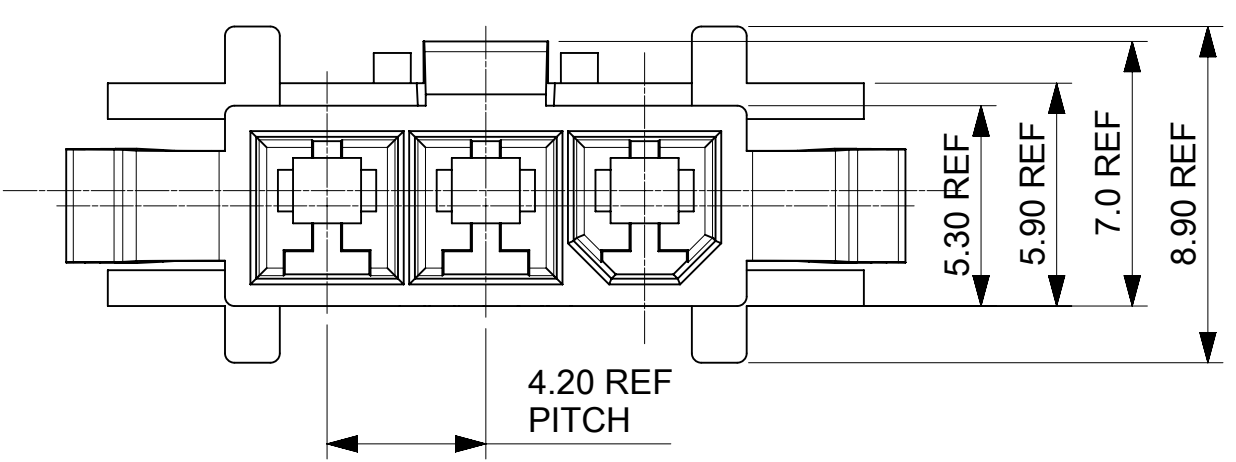
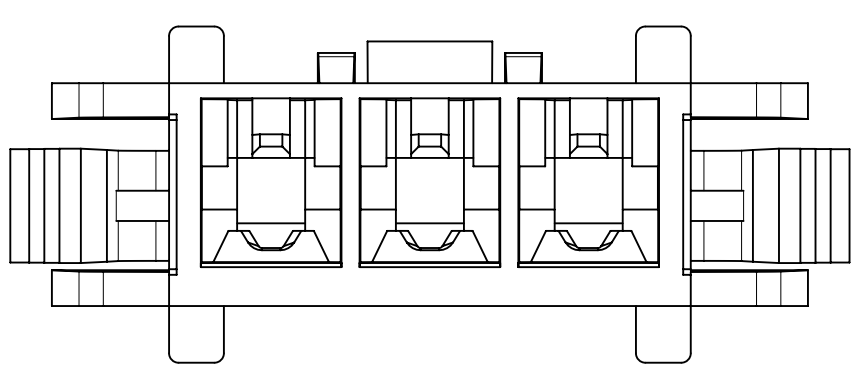


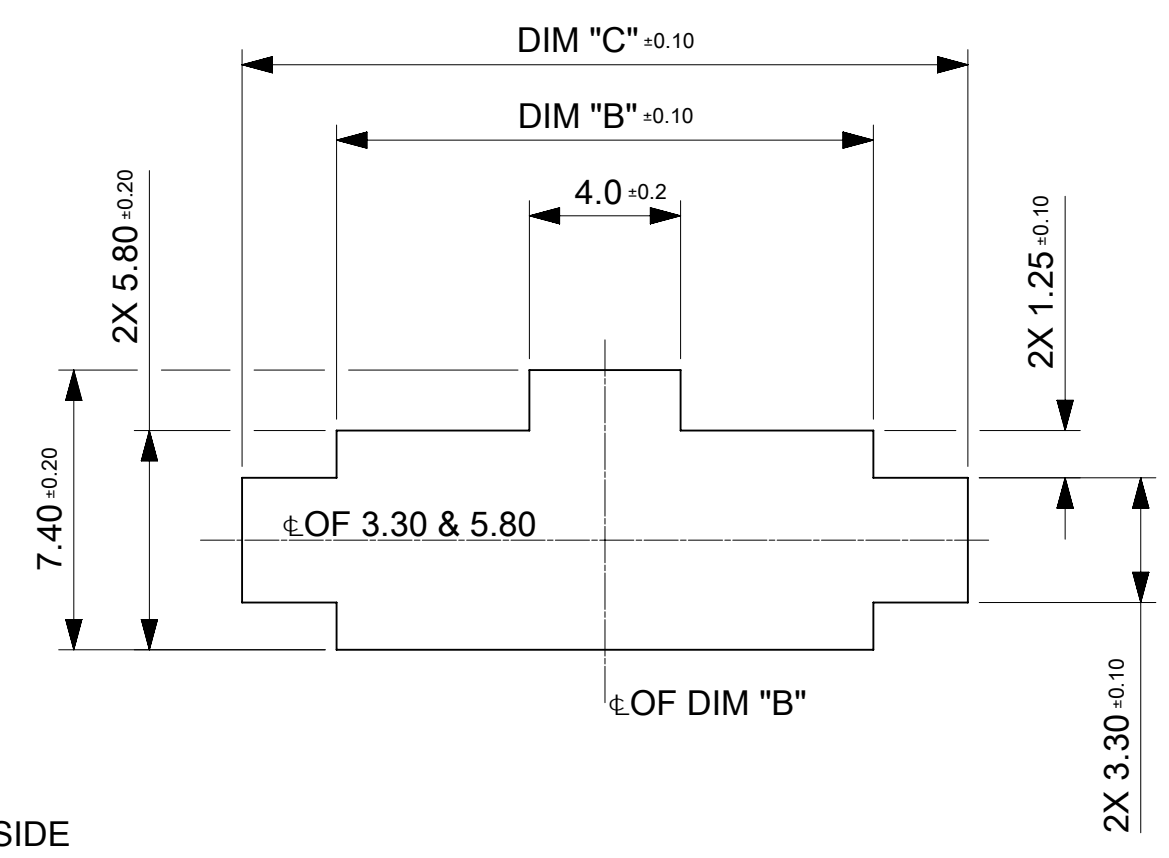
PLUG P/N	CKT	DIM "A"	DIM "B"	DIM "C"	DIM "D"
2004882002	2	9.60	10.00	15.00	4.95
2004882003	3	13.80	14.20	19.20	4.95
2004882004	4	18.00	18.40	23.40	4.95
2004882005	5	22.20	22.60	27.60	12.95
2004882006	6	26.40	26.80	31.80	12.95



MOLEX LOGO DIM "D" REF



RECOMMENDED CHAMFER
C0.20~0.30 AT INSERTION SIDE

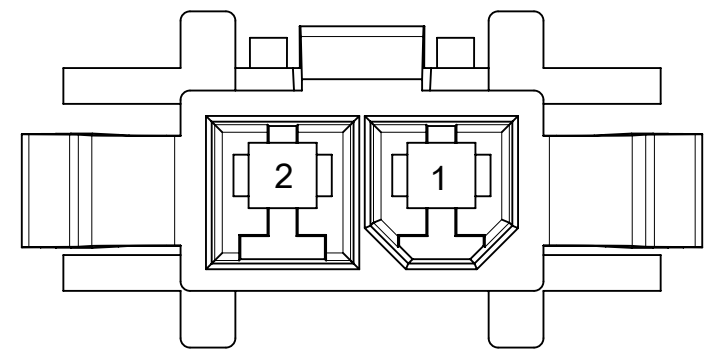


RECOMMENDED PANEL CUT-OUT DIMENSIONS
PANEL THICKNESS 0.80-2.00MM

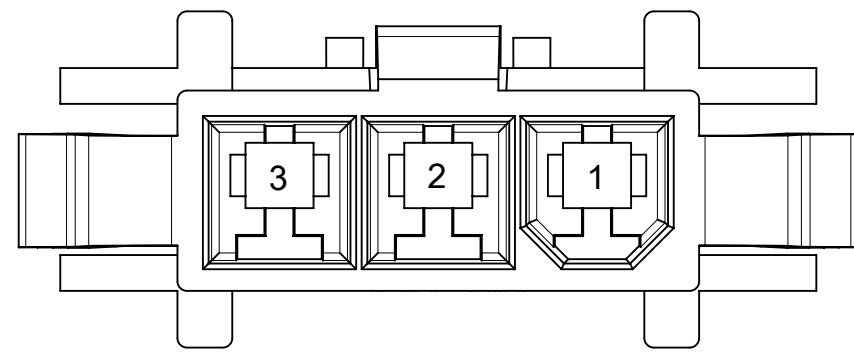
- NOTES:
- MATERIAL:
NYLON, UL 94V-0 AND GLOW WIRE CAPABLE PER IEC60335-1; COLOR: BLACK
 - FINISH: NONE
 - PRODUCT SPECIFICATION: 2131370000-PS/2029880002-PS
APPLICATION SPECIFICATION: 2131370000-AS
 - PACKAGING SPECIFICATION: 200488-0001-PK
REFER TO AS-45499-001 FOR MOISTURIZING NYLON CONNECTOR PARTS.
 - THIS PART TO BE USED WITH FEMALE TERMINAL SERIES 172765, 203070 AND TPA SERIES 172709-2***.
 - THIS PART MATES WITH RECEPTACLE SERIES 200453-1***
 - THIS PART CONFORMS TO CLASS 'B' REQUIREMENTS OF COSMETIC SPECIFICATION PS-45499-002.
 - SEE DRAWING 1727090002-SD FOR OTHER TPA INFORMATION.
 - SEE DRAWING 2004531000(SD) FOR OTHER RECEPTACLE INFORMATION.
 - SEE DRAWINGS SD-172718-0000 AND 2029880001-PSD FOR OTHER CRIMP TERMINAL INFORMATION.

THIS DRAWING CONTAINS INFORMATION THAT IS PROPRIETARY TO MOLEX ELECTRONIC TECHNOLOGIES, LLC AND SHOULD NOT BE USED WITHOUT WRITTEN PERMISSION									
DIMENSION UNITS mm		SCALE NTS		CURRENT REV DESC:					
GENERAL TOLERANCES (UNLESS SPECIFIED)		ANGULAR TOL ± °		EC NO: 787525		SD-DRAWING OF MINI-FIT SIGMA SR PLUG			
4 PLACES ±		4 PLACES ±		DRWN: JERRYW8		2024/05/28			
3 PLACES ±		3 PLACES ±		CHK'D: XQZHANG		2024/05/30			
2 PLACES ± 0.25		2 PLACES ± 0.25		APPR: XQZHANG		2024/05/30			
1 PLACE ± 0.36		1 PLACE ± 0.36		INITIAL REVISION:		PRODUCT CUSTOMER DRAWING			
0 PLACES ±		0 PLACES ±		DRWN: ALU002		2019/09/24		DOCUMENT NUMBER	
DRAFT WHERE APPLICABLE MUST REMAIN WITHIN DIMENSIONS		THIRD ANGLE PROJECTION		APPR: YXZHENG		2019/10/11		2004880001-SD	
DRAWING		SERIES		MATERIAL NUMBER		CUSTOMER		SHEET NUMBER	
A2-SIZE		200488		SEE TABLE		GENERAL MARKET		1 OF 2	

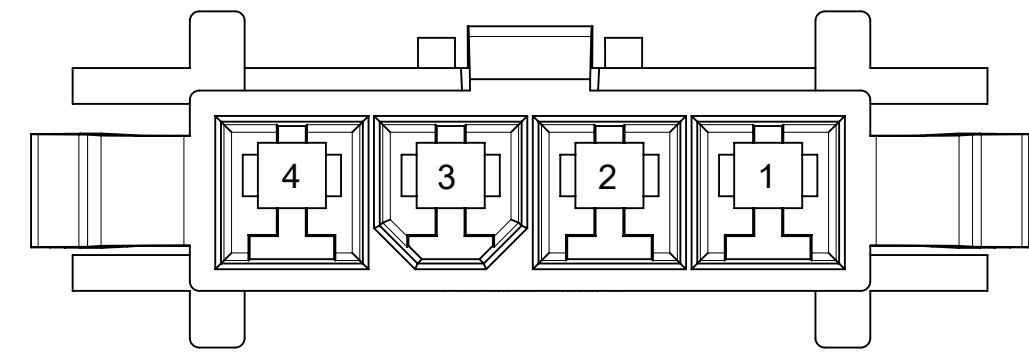
DOCUMENT STATUS	P1	RELEASE DATE	2024/05/30	09:41:54
-----------------	----	--------------	------------	----------



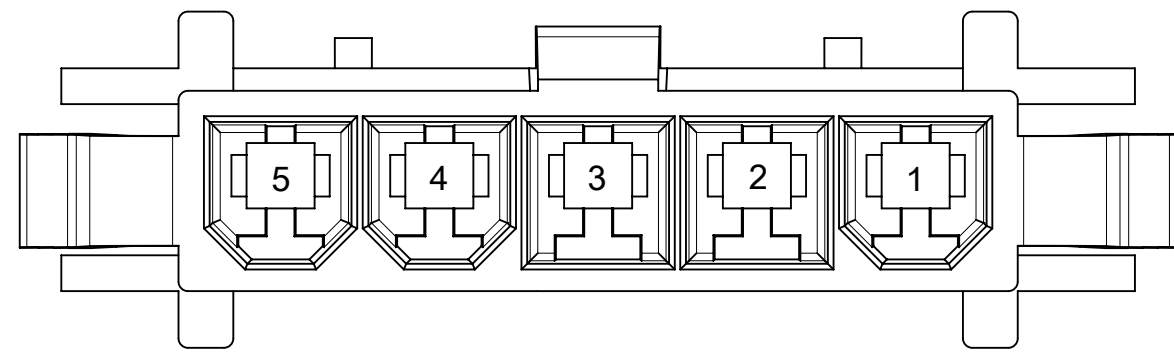
2-CKT



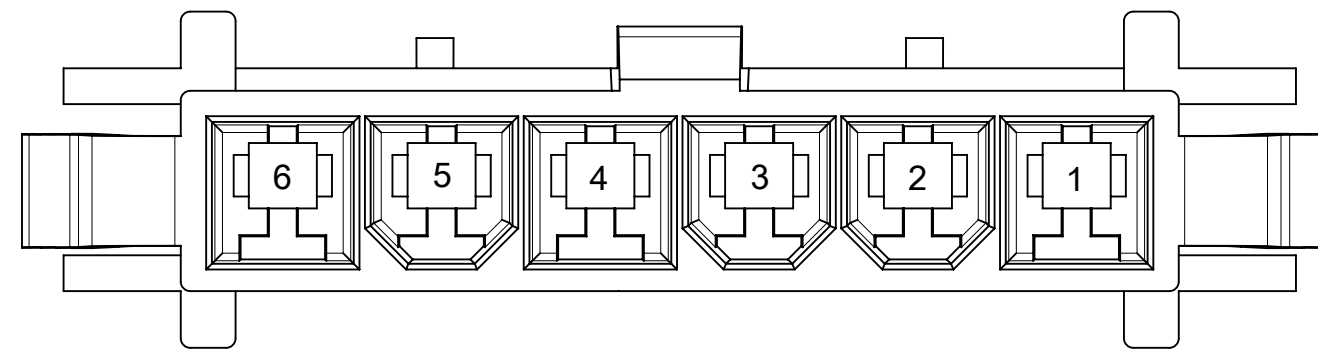
3-CKT




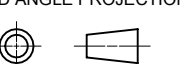
4-CKT



5-CKT



6-CKT

FUNCTIONAL SYMBOLS	THIS DRAWING CONTAINS INFORMATION THAT IS PROPRIETARY TO MOLEX ELECTRONIC TECHNOLOGIES, LLC AND SHOULD NOT BE USED WITHOUT WRITTEN PERMISSION													
	DIMENSION UNITS	SCALE	CURRENT REV DESC:								 SD-DRAWING OF MINI-FIT SIGMA SR PLUG			
$\frac{F}{A} = 0$	mm	NTS	EC NO: 787525									DOCUMENT NUMBER	DOC TYPE	DOC PART
$\frac{F}{C} = 0$	GENERAL TOLERANCES (UNLESS SPECIFIED)		DRWN: JERRYW8								2024/05/28			
$\frac{F}{P} = 0$	ANGULAR TOL ± °		CHK'D: XQZHANG								2024/05/30			
DIVISIONAL SYMBOLS	4 PLACES ±		APPR: XQZHANG								2024/05/30	PRODUCT CUSTOMER DRAWING		
	3 PLACES ±		INITIAL REVISION:								2019/09/24			
	2 PLACES ± 0.25		DRWN: ALU002								2019/10/11			
	1 PLACE ± 0.36		APPR: YXZHENG								2019/10/11			
0 PLACES ±		DRAFT WHERE APPLICABLE MUST REMAIN WITHIN DIMENSIONS		THIRD ANGLE PROJECTION		DRAWING	SERIES	MATERIAL NUMBER	CUSTOMER	SHEET NUMBER				
						A2-SIZE	200488	SEE TABLE	GENERAL MARKET	2 OF 2				

DOCUMENT STATUS	P1	RELEASE DATE	2024/05/30	09:41:54
-----------------	----	--------------	------------	----------