

Product data sheet

Miniature connectors



Product description **Push Pull Female panel mount connector, Contacts: 12, shieldable, solder, IP67**

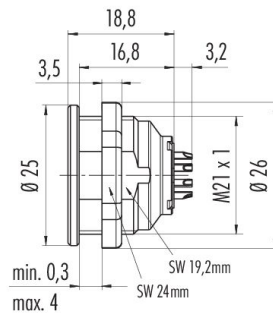
Area **series 440**

Part no. **09 4836 00 12**

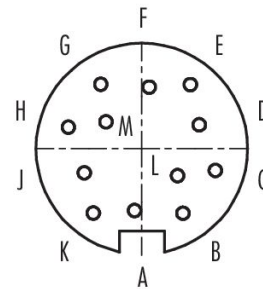
Illustration



Scale drawing



Contact arrangement (Plug-in side)



You can find the component part drawing and assembly instructions on the next page.

Technical data

General features

Part no.	09 4836 00 12
Connector design	Female panel mount connector
Version	Connector socket straight
Connector locking system	Push-Pull
Termination	solder
Degree of protection	IP67
Cross-sectional area	0.25 mm ² / AWG 24
Temperature range from/to	-40 °C / 85 °C
Mechanical operation	> 1000 Mating cycles
Weight (g)	20.63
Customs tariff number	85369010
Country of Origin	DE

Electrical parameters

Rated voltage	60 V
Rated impulse voltage	500 V
Rated current	3,0 A
Insulation resistance	≥ 10 ¹⁰ Ω
Pollution degree	1
Oversvoltage category	I
Insulating material group	III
EMC compliance	shieldable
Shield connection	Shield on the housing

Product data sheet

Miniature connectors



Product description **Push Pull Female panel mount connector, Contacts: 12, shieldable, solder, IP67**

Area **series 440**
Part no. **09 4836 00 12**

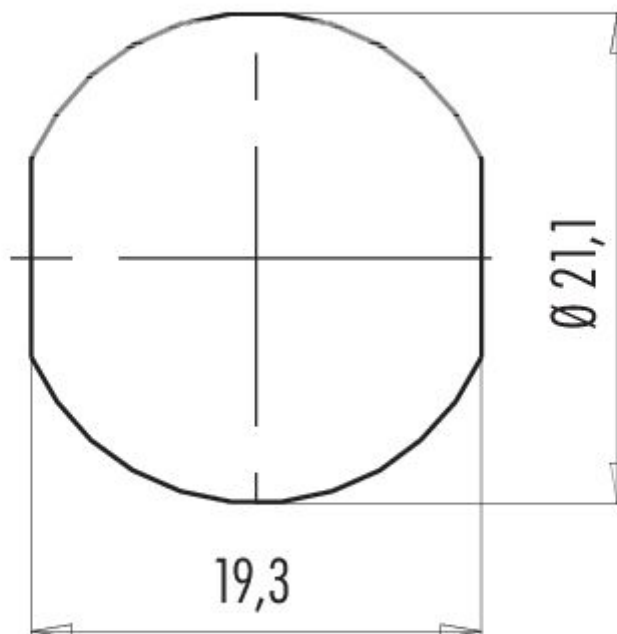
Material

Contact body material	PBT (UL94 V-0)
Contact material	CuSn (bronze)
Contact plating	Au (gold)
REACH SVHC	CAS 7439-92-1 (Lead)
SCIP number	1ce9ef83-72d3-48aa-995c-d17c60f88e8b

Classifications

eCl@ss 11.1	27-44-01-09
ETIM 9.0	EC003569

Assembly instructions / Panel cut-out



Product data sheet

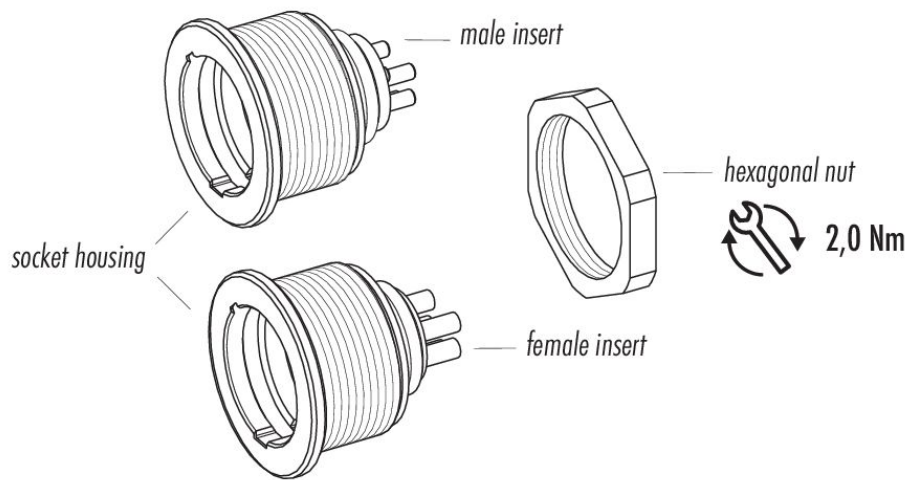
Miniature connectors



Product description **Push Pull Female panel mount connector, Contacts: 12, shieldable, solder, IP67**

Area **series 440**
Part no. **09 4836 00 12**

Component part drawing



Product description	Push Pull Female panel mount connector, Contacts: 12, shieldable, solder, IP67
Area	series 440
Part no.	09 4836 00 12

Security notices

The connector must not be plugged or unplugged under load. Non-observance and improper use can result in personal injury.

The connectors have been developed for applications in plant engineering, control and electrical equipment construction. The user is responsible for checking whether the connectors can also be used in other areas of application.

Connectors which are used in circuits with voltages dangerous to the touch may only be installed and used by, or under the supervision of, persons with electrical engineering training, taking into account the applicable regulations and standards.

The user must take suitable safety precautions to ensure that the connector cannot be accidentally disconnected.

Plug connectors with enclosure protection IP67 and IP68 are not suitable for use under water. When used outdoors, the plug connectors must be protected separately against corrosion. For further information on the IP protection classes, please refer to the "Technical Information" download centre.

The plug connector is not suitable for mains voltages. Please observe the pollution degree and the overvoltage category. For further information, please refer to the download center "Technical Information".

To lock the cable connector to the device connector, we recommend tightening the threaded ring to 2 Nm. A suitable torque wrench is available as an accessory (order no. 07 0082 000).