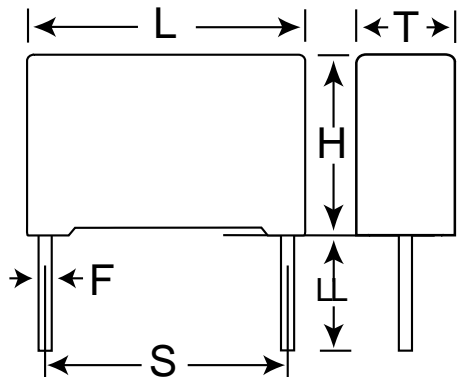


KEMET Part Number: PHE841EA5150MR17
(F841AK153M330A, PHE841EA5150MA03R17)

Capacitor, film, 0.015 uF, +/-20% Tol, -40/+100C, Safety: X1, 330VAC, Lead Spacing=10 mm



Dimensions (mm)		
Symbol	Dimension	Tolerance
L	13	max
H	11	max
T	5	max
S	10	+/-0.4
LL	17	nom
F	0.6	nom

Packaging Specifications	
Package Kind:	Bulk
Package Quantity:	800

General Information	
Manufacturer:	KEMET
Brand:	Rifa
Miscellaneous Electrical:	Not for new design.

Specifications	
Capacitance:	0.015 uF
Rated Temperature:	100C
Voltage @ rated temp:	1000V
Voltage AC:	330VAC
Tolerance:	+/-20%
Body Type:	Radial Box
Dielectric:	Metallized Polypropylene
Application:	Safety: X1
Temperature Range:	-40/+100C
Dissipation Factor @ 1 kHz:	0.1%
Dissipation Factor @ 10 kHz:	0.2%
Dissipation Factor @ 100kHz:	0.6%
Insulation Resistance:	30 GOhm
Maximum dVdT:	100v/us

Agency Approvals	
UL_1414:	250V
UL_1283:	330V
IEC_60384-14:	330V
EN_132400:	330V
C_22.2_NO.1:	250V
C_22.2_NO.8:	330V