

**DESCRIPTION**

The ULN2803 is high-voltage, high-current darlington driver IC composed of 8 NPN darlington pairs. All units share the emitter in common, and each unit adopts open-collector output. A 2.7KΩ resistor is connected to each darlington pair in serial, which is compatible with TTL and 5V CMOS for data processing without logic buffer.

Sink current of ULN2803 is up to 500mA, when it is off state, the withstand voltage is 50V and the output can runs with high load current, which provides solutions for various interface.

**FEATURES**

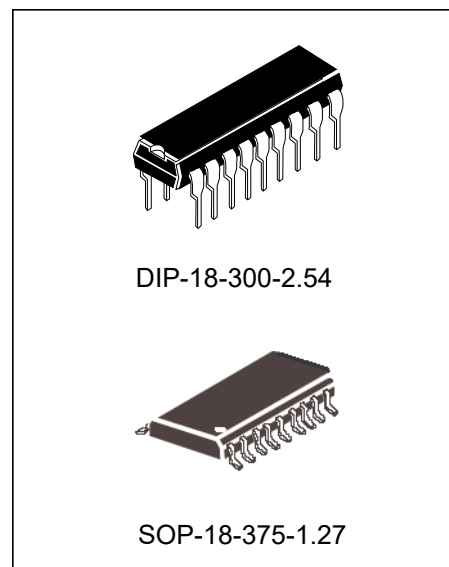
- ◆ Wide operating voltage range
- ◆ 8-ch high-gain darlington array
- ◆ High output voltage (up to 50V)
- ◆ High output current (up to 500mA)
- ◆ Able to connect to TTL, CMOS, PMOS directly
- ◆ Clamp diodes for switching inductive loads

**APPLICATIONS**

- ◆ Relay driver
- ◆ DC lamp driver
- ◆ Step motor driver
- ◆ Magnet valve
- ◆ DC brushless motor driver

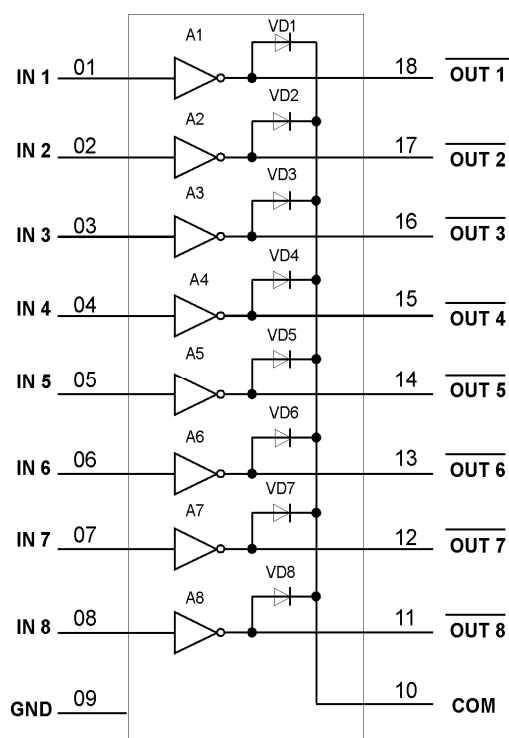
**ORDERING INFORMATION**

Part No.	Package	Marking	Hazardous Substance Control	Packing Type
ULN2803AN	DIP-18-300-2.54	ULN2803AN	Halogen free	Tube
ULN2803A	SOP-18-375-1.27	ULN2803A	Halogen free	Tape&Reel



## DARLINGTON ARRAY DRIVER IC

### BOLBK DIAGRAM



Pin		I/O	Description
Pin name	Pin		
<1:8>	1-8	Input	Channel 1~8 darlington input
<11:18>	18-11	Output	Channel 1~8 darlington output
(GND)	9	GND	Ground
COM	10	Input/ Output	Positive of clamp diode (used with inductive load)

### ABSOLUTE MAXIMUM RATINGS

Parameter	Symbol	Ratings	Units
Input Voltage	$V_{IN}$	-0.5~30	V
Output Voltage	$V_{OUT}$	-0.5~50	V
Clamp Diode Reverse Voltage	$V_R$	55	V
Output Current	$I_{OUT}$	500	mA
Clamp Diode Forward Current	$I_F$	25	mA
Storage Temperature	$T_{STG}$	-55~150	°C
Operating Temperature	$T_{OPR}$	-40~85	°C
Operating Junction Temperature	$T_J$	-40~150	°C

**DARLINGTON ARRAY DRIVER IC**

**ELECTRICAL CHARACTERISTICS (Ta = 25 °C UNLESS OTHERWISE NOTED)**

Parameter	Symbol	Test conditions	Min.	Typ.	Max.	Units
Output Leakage Current	I <sub>CEX</sub>	T <sub>A</sub> =25°C, V <sub>CE</sub> =50V(Figure 1)	--	--	20	µA
		T <sub>A</sub> =85°C, V <sub>CE</sub> =50V(Figure 1)	--	--	100	
CE Saturation Voltage	V <sub>CE(sat)</sub>	I <sub>OUT</sub> =350mA, I <sub>IN</sub> =500 µA(Figure 3)	--	1.3	1.6	V
		I <sub>OUT</sub> =250mA, I <sub>IN</sub> =350 µA(Figure 3)	--	1.1	1.3	
		I <sub>OUT</sub> =100mA, I <sub>IN</sub> =250 µA(Figure 3)	--	0.9	1.1	
Input Current (Output On)	I <sub>I(ON)</sub>	V <sub>I</sub> =3.85V(Figure 4)	--	0.93	1.35	mA
Input Current (Output Off)	I <sub>I(OFF)</sub>					µA
		T <sub>A</sub> =+25°C, I <sub>C</sub> =500µA(Figure 5)	50	100	--	
		T <sub>A</sub> =+85°C, I <sub>C</sub> =500µA(Figure 5)	25	50	--	
Input Voltage (Output On)	V <sub>I(ON)</sub>	V <sub>CE</sub> =2.0V, I <sub>C</sub> =200mA(Figure 6)	--	--	2.4	V
		V <sub>CE</sub> =2.0V, I <sub>C</sub> =250mA(Figure 6)	--	--	2.7	
		V <sub>CE</sub> =2.0V, I <sub>C</sub> =300mA(Figure 6)	--	--	3.0	
Input Capacitance	C <sub>I</sub>		--	15	30	pF
Turn-on Delay	t <sub>MH</sub>	0.5V <sub>I</sub> to 0.5 V <sub>O</sub>	--	--	1.0	µS
Turn-off Delay	t <sub>ML</sub>	0.5V <sub>I</sub> to 0.5 V <sub>O</sub>	--	--	1.0	
Clamp Diode Reverse Current	I <sub>R</sub>		--	--	--	µA
		T <sub>A</sub> =+25°C, V <sub>R</sub> =50V(Figure 7)	--	--	10	
		T <sub>A</sub> =+85°C, V <sub>R</sub> =50V(Figure 7)	--	--	50	
Clamp Diode Forward Voltage	V <sub>F</sub>	I <sub>F</sub> =350mA(Figure 8)	--	1.7	2.0	V

Notes: 1. Absolute maximum ratings are those values beyond which the device could be permanently damaged.

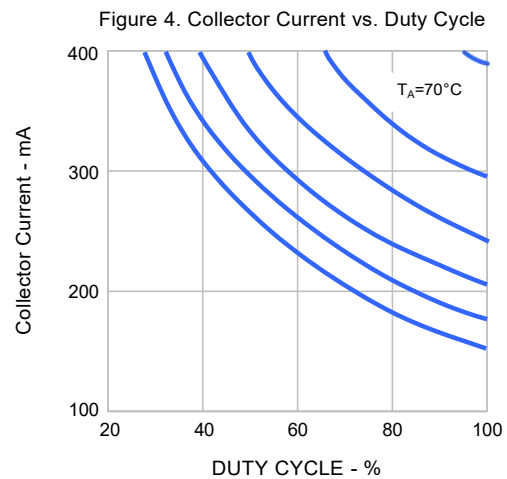
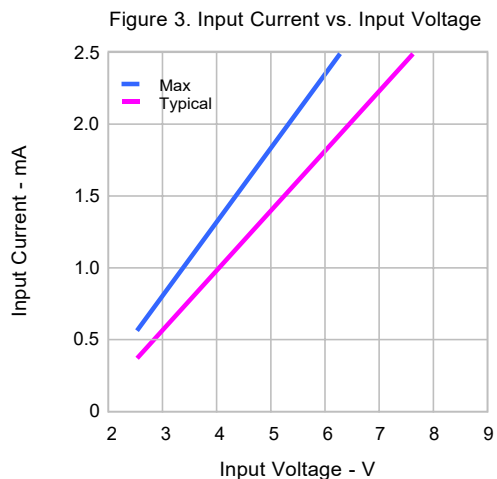
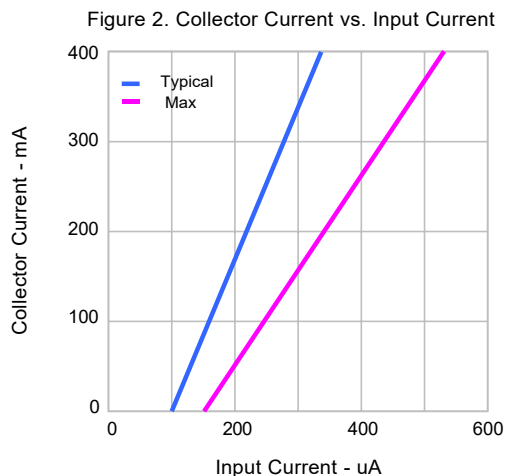
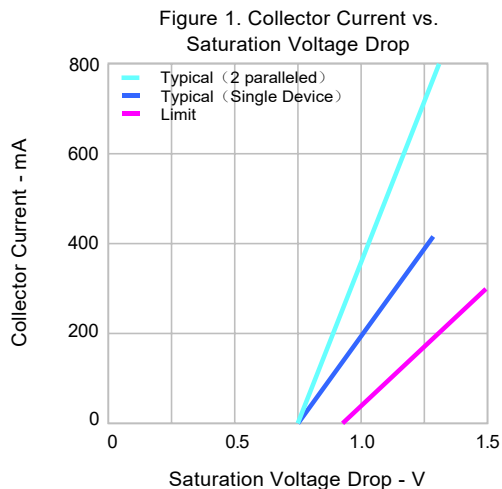
Absolute maximum ratings are stress ratings only and functional device operation is not implied. Electrical Characteristics are for normal operating range;

2. All the conditions are suitable for darlington pairs unless otherwise noted;

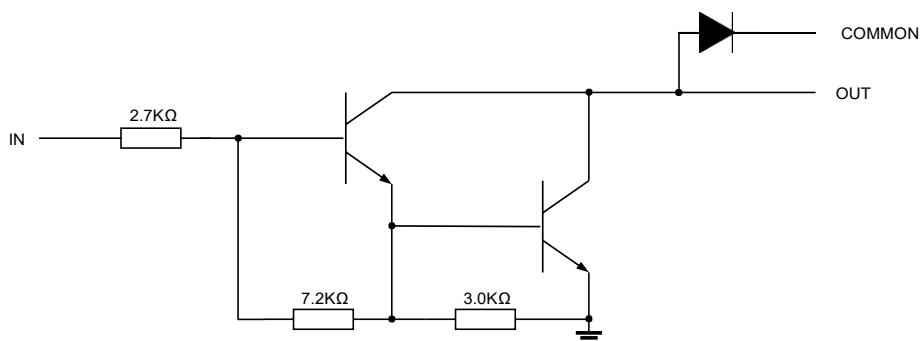
3. In general, with 70°C, V<sub>CE</sub> (Sat)= 1.6V, pulse width=20ms, the continuous operating current of each channel is 350mA.

**DARLINGTON ARRAY DRIVER IC**

**TYPICAL CHARACTERISTIC CURVES**



**INTERNAL EQUIVALENT CIRCUIT**



TEST CIRCUITS

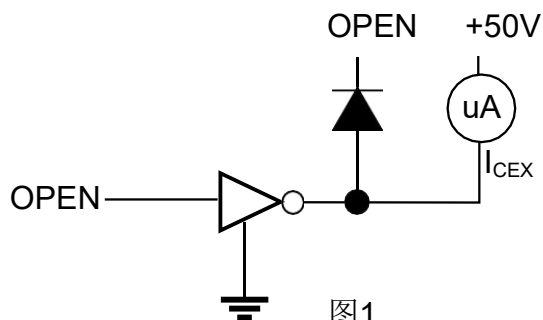


图1

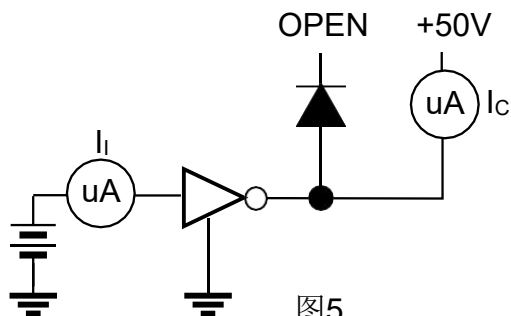


图5

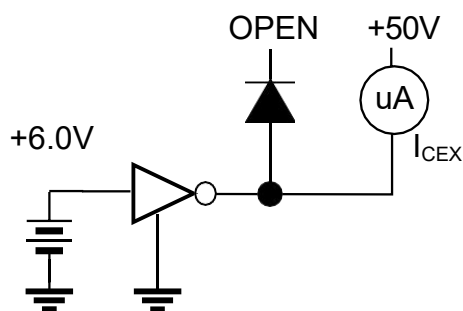


图2

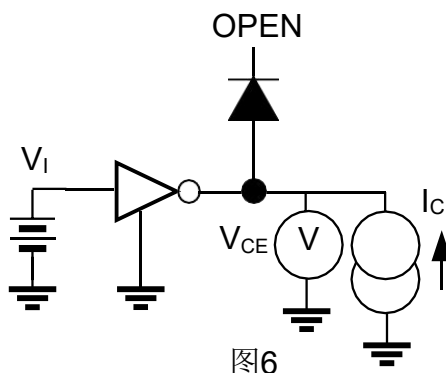


图6

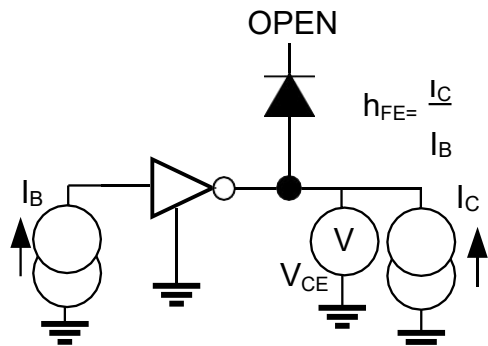


图3

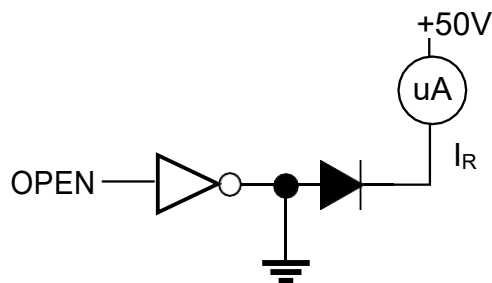


图7

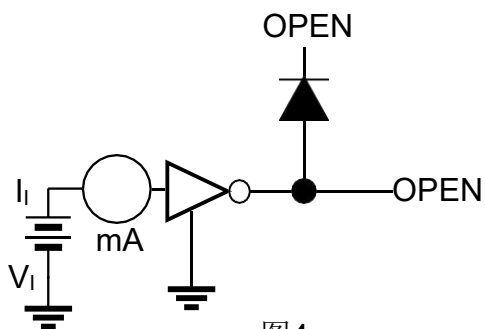


图4

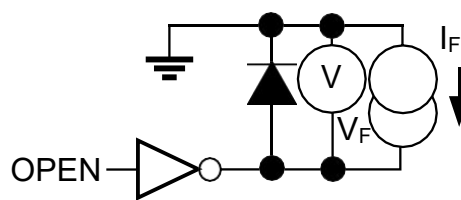


图8

PACKAGE OUTLINE

DARLINGTON ARRAY DRIVER IC

