

| PANDUIT PART NUMBER | | STUD SIZE | DIMENSIONS in. | | | | |
|---------------------|-----------------|-----------|----------------|--------------|--------------|---------------|--------------|
| PREFIX | PK | | A ±.03 | W ±.01 | C ±.02 | M ±.03 | H ±.01 |
| PV18-6F | -C -M -MY | #6 | .86 (21,8) | .30 (7,6) | .21 (5,3) | .69 (17,5) | .15 (3,8) |
| PV18-6FN* | -C -M -MY | #6 | .85 (21,6) | .24 (6,1) | .21 (5,3) | .69 (17,5) | .15 (3,8) |
| PV18-8F | -C -M -MY | #8 | .93 (23,6) | .32 (8,1) | .25 (6,4) | .73 (18,5) | .17 (4,3) |
| PV18-10F | -C -M -MY | #10 | .93 (23,6) | .35 (8,9) | .25 (6,4) | .75 (19,1) | .20 (5,1) |
| PV18-10FN* | -C -M -MY | #10 | .93 (23,6) | .31 (7,9) | .25 (6,4) | .75 (19,1) | .20 (5,1) |

Notes:

1. Used for:

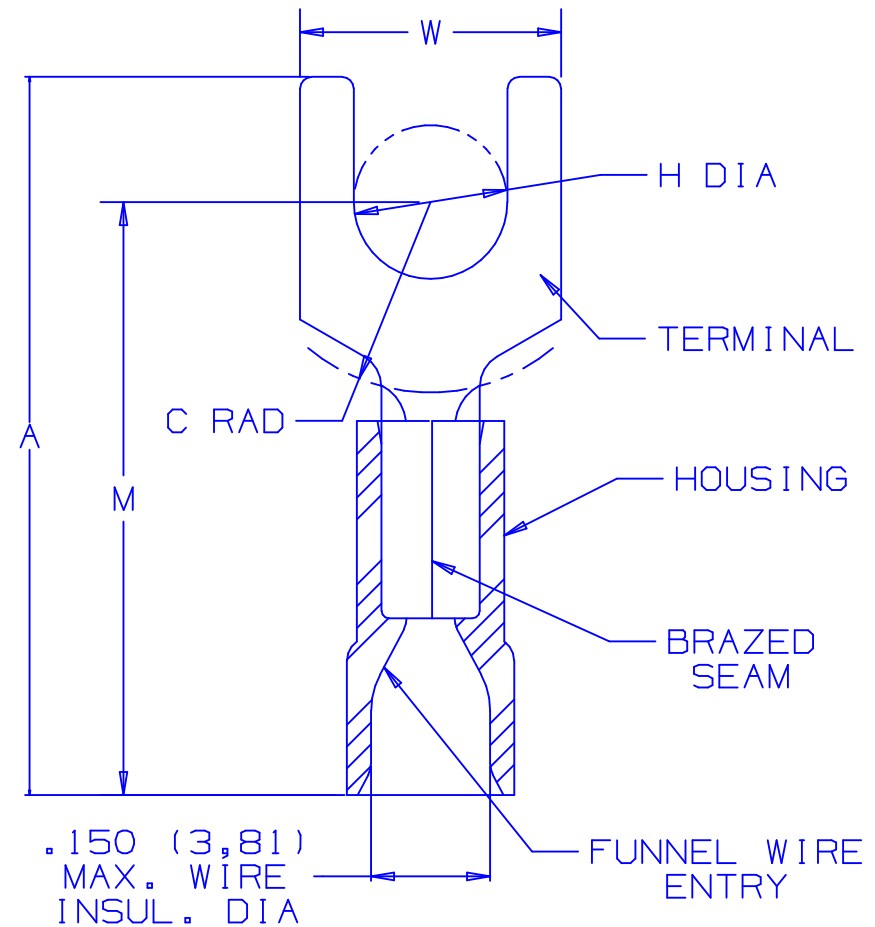
- A. 600 max voltage rating (1000 V. max in signs, fixtures, & luminaries)
- B. #22-16 AWG Solid or stranded copper wire range, 221°F (105°C) max temp rating with CT-1550, CT-1551 installation tools
- C. #22-18 AWG Solid or stranded copper wire range, 167°F (75°C) max temp rating with CT-100 installation tool

2. Wire strip length: 5/16 ^{+1/32} ₀ (7,9 ^{+0.8} ₀)

3. Package Quantity (Suffix to basic part no.):
 A. Standard -C=100
 B. Bulk -M=1000, -MY=1000

4. Material:
 A. Stamping: .032 (.81) thick tin plated copper
 B. Housing: Red vinyl

5. Dimensions in brackets are in millimeters



* PV18-6FN and PV18-10FN are not UL listed or CSA certified.



LISTED
587H
E52164

CERTIFIED
LR31212

A41194_06



TINLEY PARK, ILLINOIS

2PC. VINYL INSULATED,
#22-18 BARREL, FORKS

| | | | | | | | |
|-----|-------|--------|-----|--|-------|------|------|
| 06 | 5/05 | JHNU | | ADDED PACKAGING CODE "MY" TO DRAWING. | | | |
| 05 | 1/01 | KMDSKB | | CAD FILE SPEC. WAS N41194AA_PCD_04 | 08938 | JAC | CCH |
| 04 | 11/00 | EJS | | MAX. WIRE INSUL. DIA. WAS .158. REMOVED TOOLS CT-500, CT-550, REMOVED OBSOLETE PART PV18-14F, UPDATED NOTE 1-A TO 1000 V. MAX IN SIGNS, FIXTURES & LUMINARIES, ADDED NOTE "**" | 08839 | | |
| 03 | 5/99 | JKDSKB | | ADDED CT-1551 & CT-1550 TOOLS | 07634 | JW | TRO |
| 02 | 1/95 | MS | RLS | UPDATED NOTES AND DIMENSIONS | 02842 | LA | TFKE |
| 01 | 3/91 | DL | DL | TANG WIDTH INCREASED PART NO PV18-6F, PV18-8F, PV18-10F | | LA | KS |
| REV | DATE | BY | CHK | DESCRIPTION | ECN # | CUST | PM |

| | | | |
|----------|-------|-------|-------------|
| DRAWN BY | CHK'D | SCALE | DRAWING NO. |
| FES | FS | NONE | A41194 |

Mouser Electronics

Authorized Distributor

Click to View Pricing, Inventory, Delivery & Lifecycle Information:

[Panduit:](#)

[PV18-8F-C](#)