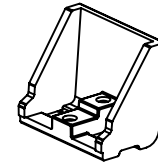
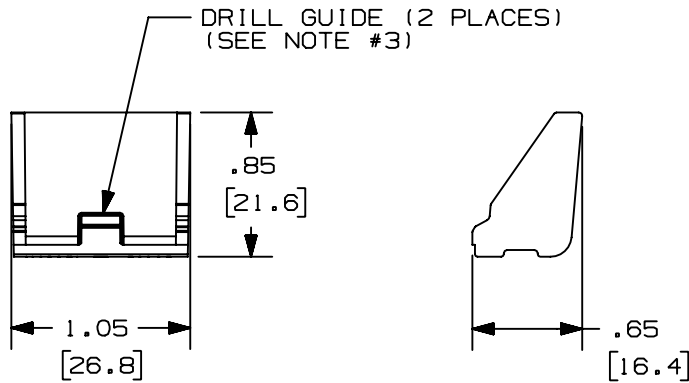


THIS COPY IS PROVIDED ON A RESTRICTED BASIS AND IS NOT TO BE USED IN ANY WAY DETRIMENTAL TO THE INTERESTS OF PANDUIT CORP.

| | |
|-------------|----------------------------------|
| PANDUIT P/N | WEIGHT |
| LDW3-V | .6 LB/100 PCS (260 g/100 PCS) |

NOTES:

1. SEE CURRENT CATALOG FOR ADDITIONAL PART SUFFIXES TO INDICATE COLOR AND OR PACKAGE QUANTITY.
2. THE LDW3 TOOL IS USED WITH LD3 AND LDP3 RACEWAYS.
3. THIS PART IS USED AS A DRILL GUIDE AND HOLDS COVER OPEN IN WIRE INSTALLATION. DIAMETER OF DRILL GUIDE IS .084 AND ACCOMMODATES A #4 SCREW.
4. DIMENSIONS IN PARENTHESES ARE IN METRIC.



| | | | |
|---|-------------------------|---|-----------|
| CAD FILENAME/LAYERS | | 36088BB_DC_LDW3_00 | |
| PANDUIT | | CORP. TINLEY PARK, ILLINOIS | |
| LD3 INSTALLATION WEDGE TOOL | | (LDW3-V) | |
| CUSTOMER DRAWING | | | |
| UNLESS OTHERWISE SPECIFIED, DIMENSIONAL TOLERANCES ARE: (.X) ± (.XX) ± .03 (.8) ANGLES ± | | UNLESS OTHERWISE SPECIFIED, ALL DIMENSIONS ARE GIVEN IN INCHES, THIRD ANGLE PROJECTION. | |
| DRAWN BY DW | MAT'L: POLYCARBONATE | SCALE NONE | DWG A |
| DATE 04-21-98 | CHECKED BY HIW | DRAWING NO. 36088-02 | SIZE A |

| REV | DATE | BY | CHK | DESCRIPTION | ECN | CHK | CUST | SUP |
|-----|----------|----|-----|-------------------------|----------|-----|------|-----|
| R | 04-21-98 | DW | HIW | RELEASED TO PRODUCTION. | 36088-02 | HIW | HIW | |

Mouser Electronics

Authorized Distributor

Click to View Pricing, Inventory, Delivery & Lifecycle Information:

[Panduit:](#)

[LDW3-V](#)