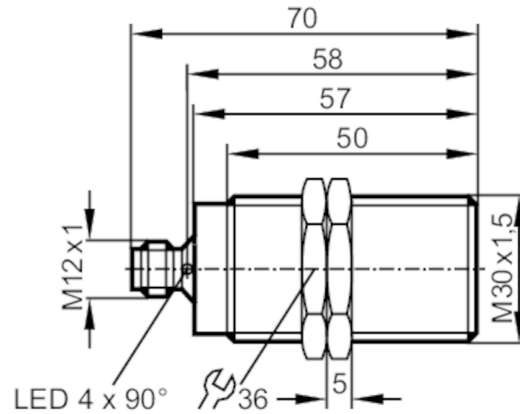


# IIC226



## Inductive full-metal sensor

IIC3010-ANKG/AM/US-104-DNS



Product characteristics		
Electrical design		NPN
Output function		normally open
Sensing range	[mm]	10
Housing		threaded type
Dimensions	[mm]	M30 x 1.5 / L = 70
Application		
Special feature		Gold-plated contacts; Full-metal housing
Application		Use in machine tools, coolants and lubricants
Pressure rating	[bar]	100
Note on pressure rating		sensing face
Electrical data		
Operating voltage	[V]	10...36 DC
Current consumption	[mA]	< 20
Protection class		III
Reverse polarity protection		yes
Outputs		
Electrical design		NPN
Output function		normally open
Max. voltage drop switching output DC	[V]	2.5
Permanent current rating of switching output DC	[mA]	100
Switching frequency DC	[Hz]	50
Short-circuit protection		yes
Type of short-circuit protection		pulsed
Overload protection		yes
Detection zone		
Sensing range	[mm]	10
Operating distance	[mm]	0...8.1

# IIC226



## Inductive full-metal sensor

IIC3010-ANKG/AM/US-104-DNS

### Accuracy / deviations

Correction factor	steel: 1 / stainless steel: 0.7 / brass: 0.7 / aluminium: 0.5 / copper: 0.1
Hysteresis [% of Sr]	1...20

### Operating conditions

Ambient temperature [°C]	-25...70
Protection	IP 67; IP 68; ("Coolant")

### Tests / approvals

EMC	EN 61000-4-2 ESD	4 kV CD / 8 kV AD
	EN 61000-4-3 HF radiated	10 V/m
	EN 61000-4-4 Burst	2 kV
	EN 61000-4-6 HF conducted	10 V
	EN 55011 emission	class B
Impact resistance		1 J
MTTF [years]		1177
UL approval	Ta	-25...70 °C
	Enclosure type	Type 1
	power supply	Limited Voltage/Current
	UL Approval no.	A012
	File number UL	E174191

### Mechanical data

Weight [g]	138.2
Housing	threaded type
Mounting	flush mountable
Dimensions [mm]	M30 x 1.5 / L = 70
Thread designation	M30 x 1.5
Materials	housing: stainless steel (316L/1.4404); sensing face: stainless steel (316L/1.4404); LED window: PA; lock nuts: stainless steel (316L/1.4404)
Full-metal housing	yes

### Displays / operating elements

Display	switching status	4 x 90° LED, yellow
---------	------------------	---------------------

### Accessories

Items supplied	lock nuts: 2
----------------	--------------

### Remarks

Pack quantity	1 pcs.
---------------	--------

### Electrical connection - plug

Connector: 1 x M12; coding: A; Contacts: gold-plated



# IIC226



## Inductive full-metal sensor

IIC3010-ANKG/AM/US-104-DNS

### Connection

