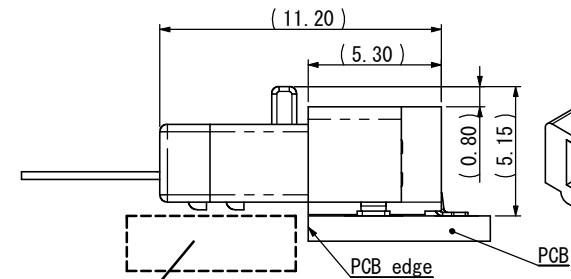
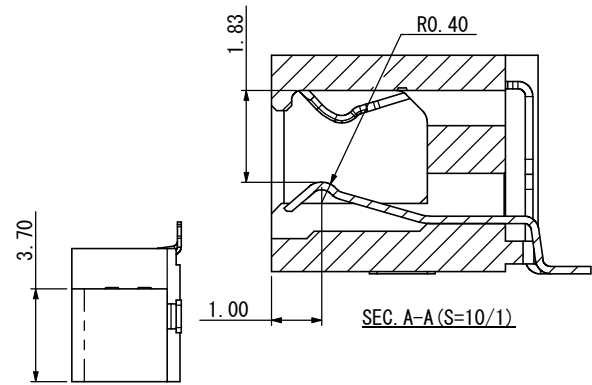
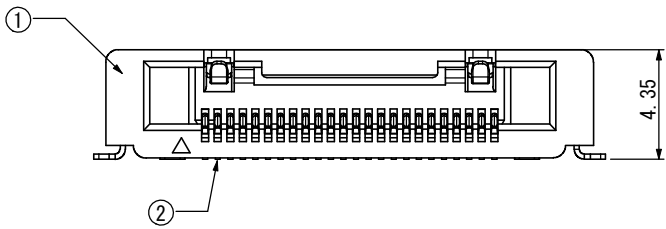
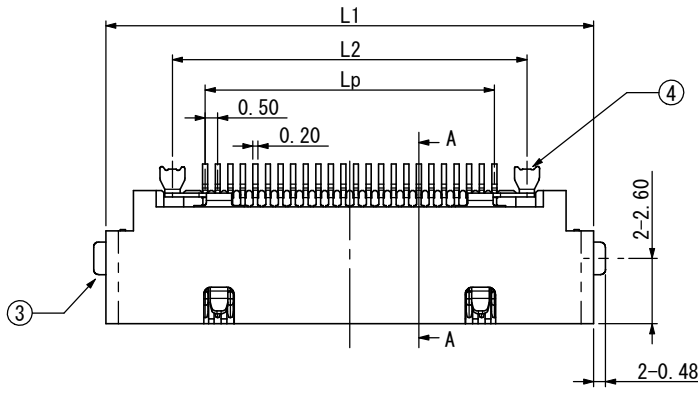
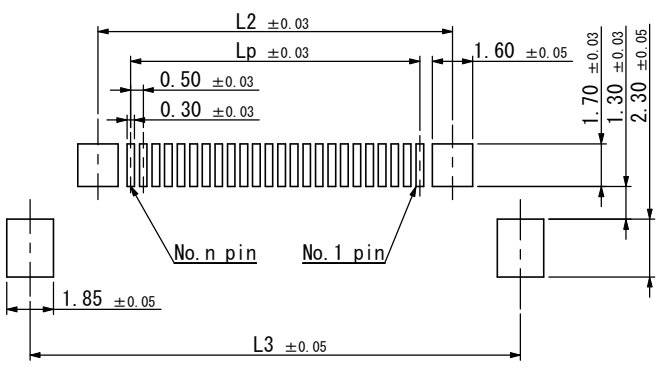
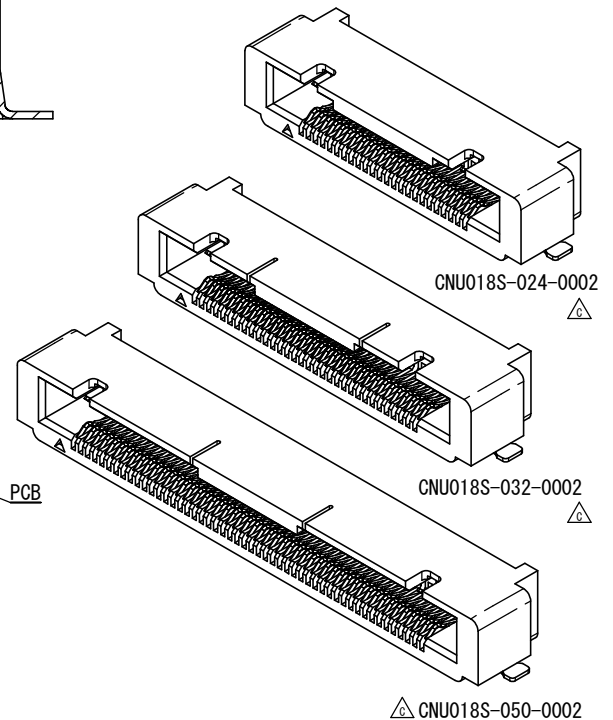


REVISION DESCRIPTION		APP.	DRW.	DATE	CHANGE No.
△ X 2	Add dimension and PIHR layout	K. Abe	O. Shimizu	13/07/11	
△ X 3	HSG design change	K. Abe	O. Shimizu	13/10/22	
△ X					

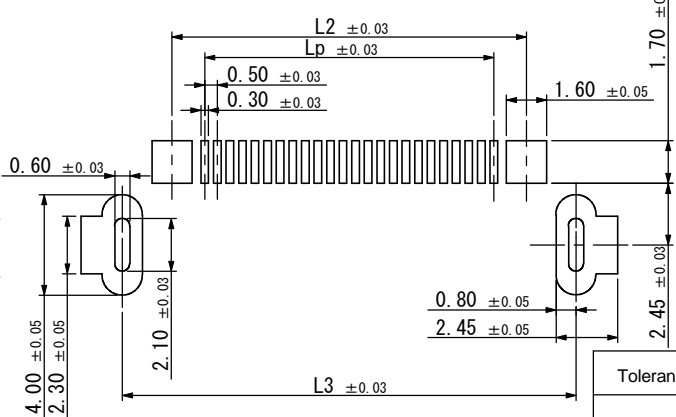
50	24.5	32.4	27.1	32.5	CNU018S-050-0002
32	15.5	23.4	18.1	23.5	CNU018S-032-0002
24	11.5	19.4	14.1	19.5	CNU018S-024-0002
Pin count	Lp	L1	L2	L3	P/N



No component area recommended
CNU018P-xxx-0001 mating condition



Recommended PCB layout for SMT (REF.)



Recommended PCB layout for PIHR (REF.)

- Note.
- Coplanarity between terminal and reinforcement bracket terminal should be 0.10mm max.
 - Performance shall be referred to YEUF2012.
 - Applicable plgu CNU018P-xxx-0001

Item No.	Description	QNT.	Material	Content
4	Reinforcement bracket-2	2	SUS	Ni/Au
3	Reinforcement bracket-1	2	SUS	Ni/Au
2	Contact	n	Copper alloy	Ni/Au
1	Insulator	1	LCP	Black

Tolerance ±0.25 Unless otherwise specified.

YAMAICHI ELECTRONICS USA INC.

CLASS

TITLE CNU018S-xxx-0002

DRW No. YEUA2013

Sheet No. / REV. C

SCALE	5/1	APP.	APP.	CHK.	DRW.	DSGN.	TITLE
DIMENSION	mm	K. Abe	K. Abe	O. Shimizu	O. Shimizu		CNU018S-xxx-0002
ANGLE PROJ	3rd						

Mouser Electronics

Authorized Distributor

Click to View Pricing, Inventory, Delivery & Lifecycle Information:

[Yamaichi Electronics:](#)

[CNU018S-050-0002](#) [CNU018S-024-0002](#) [CNU018S-032-0002](#)