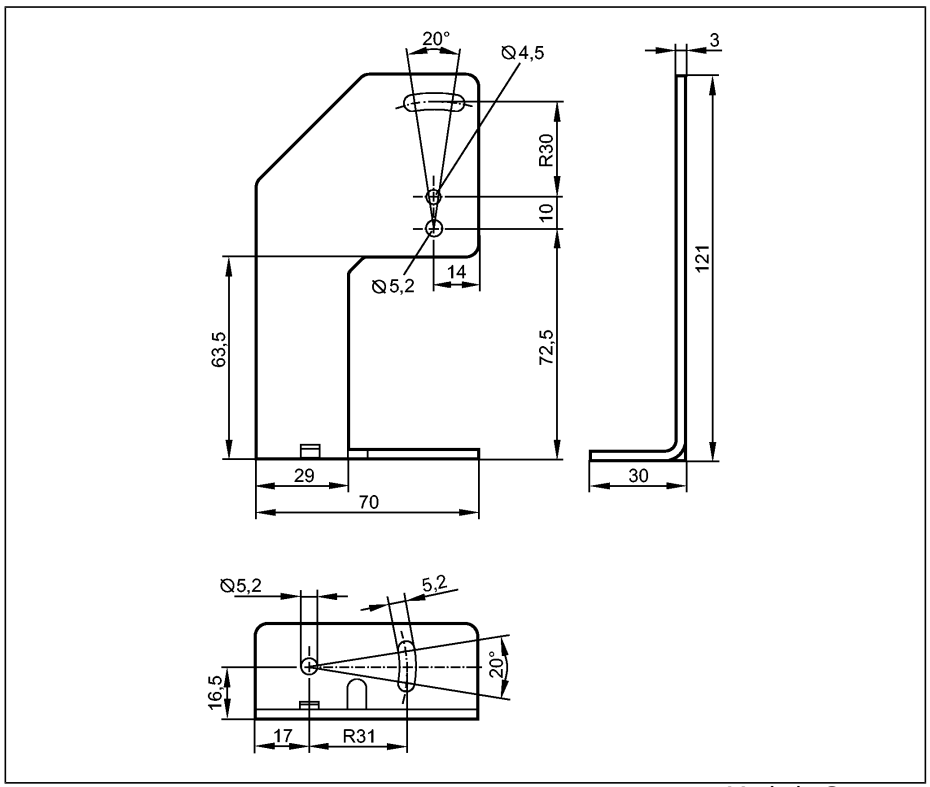


Accessories

E21120
O1D, O4
Angle bracket



Made in Germany

Design	for types O1D, O4
Housing materials	stainless steel 316L / 1.4404
Weight [kg]	0.199
Accessories (included)	2 cylinder head screw, M5 x 35, 2 nuts, 2 washers, 2 cylinder head screw, M4 x 45, 2 nuts, 2 washers