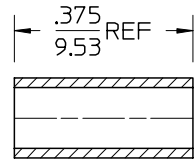
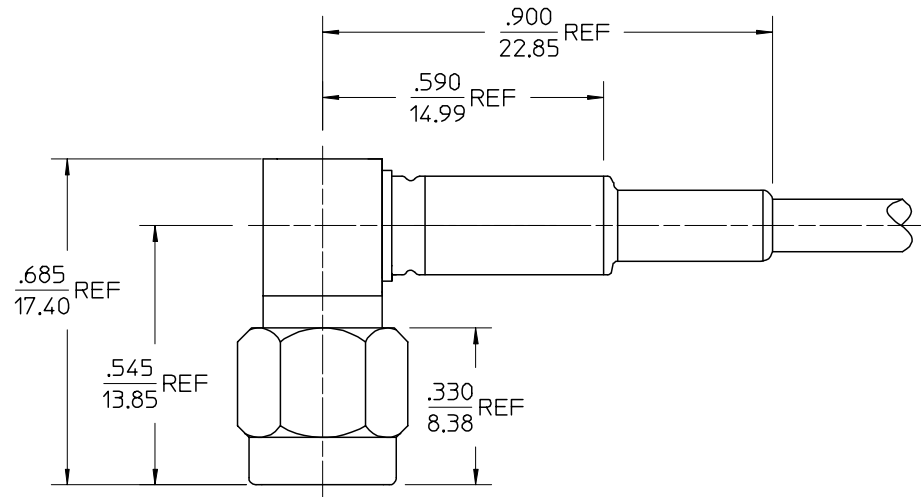
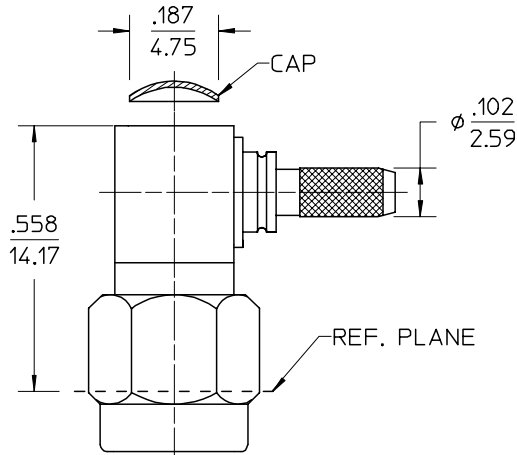


MATERIALS AND FINISHES:  
 BODY, CAP, AND C'NUT ST. STEEL  
 PLATED: PASSIVATED

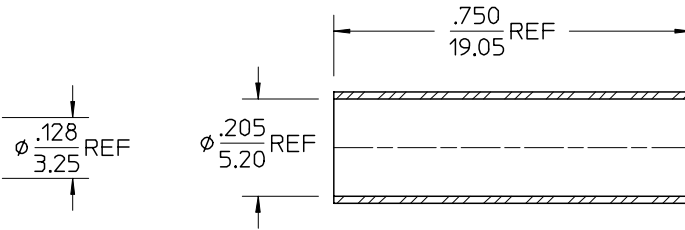
CRIMP TUBE: BRASS  
 PLATED: NICKEL

SHRINK TUBE PER MIL-DTL-23053/5  
 (CLASS I & III)

INSULATOR: POLYETHYLENE UHMW PE  
 SURFACE RESISTIVITY 10x10<sup>16</sup> OHM/SQ  
 VOLUME RESISTIVITY 10x10<sup>16</sup> OHM CM



CRIMP TUBE



SHRINK TUBE

PART # SD-73251-1360

ES-89675-1600	CABLE ASSY INSTRUCTIONS
MIL-STD-348, FIGURE 310-1	INTERFACE
PS-89675-1300	ELECTRO/MECH PERFORMANCE
SPECIFICATION	DESCRIPTION

CHG: ADDED MATERIAL SPECIFICATION FOR POLYETHYLENE INSULATOR	EC NO. URF-0778	EC NO. URF-0719	EC NO. XXX-XXXX	DESCRIPTION
	DRWN: TEF 07/17/00			
	CHK: SSS 07/17/00	CHK: TEF 07/05/00	CHK: XXX XX/XX/XX	UNLESS OTHERWISE SPECIFIED DIMS ARE INCHES AND ANGLES ARE DEGREES.
	APPR: GMH 07/17/00	APPR: GMH 07/05/00	CHK: XXX XX/XX/XX	
	CHG: RELEASED	CHG: NEW RELEASE	APPR: XXX XX/XX/XX	1. ✓ 63 ALL OVER.
				2. NO CHATTER OR NON-UNIFORM SURFACE FINISH ALLOWED.
				3. PARTS TO BE FREE OF BURRS & SHARP EDGES .005 MAX BREAK.
				4. EXTERNAL THREADS TO BE ROLLED OR SINGLE POINT.
				5. DIAMETERS TO BE CONCENTRIC WITHIN .003 TIR.

REV	DESCRIPTION
B	
A	
1	

QUALITY SYMBOLS	GENERAL TOLERANCES: (UNLESS SPECIFIED)
MAJOR	mm INCH
CRITICAL	mm INCH
	4 PLACES ± .0005
	3 PLACES ± .005
	2 PLACES ± .01
	1 PLACE ± .1
	ANGULAR: ± 1/2°
	DRAFT WHERE APPLICABLE MUST REMAIN WITHIN DIMENSIONS

SCALE	DESIGN UNITS
	<input type="checkbox"/> mm <input checked="" type="checkbox"/> INCH
DRAWN BY & DATE	
GMH 06/26/00	
CHECKED BY & DATE	
GMH 06/26/00	
APPROVED BY & DATE	
GMH 06/26/00	
CAD FILENAME	

DIMENSIONS:		1	B
<input type="checkbox"/> mm	<input checked="" type="checkbox"/> INCH	SHT	REV
<input type="checkbox"/> INCH	<input type="checkbox"/> mm	REVISE ON CAD ONLY	
TITLE: SMA PLUG, CRIMP TYPE			
POLYETHYLENE INSULATOR			
CABLE- RG174,179,187,188,316			
SMA-PC/RA			
MOLEX MOLEX INCORPORATED		SHEET NO.	
MATERIAL NO. SEE NOTE		1 of 1	
DRAWING NO. SD-73251-136		SIZE B	
THIS DRAWING CONTAINS INFORMATION THAT IS PROPRIETARY TO MOLEX INCORPORATED AND SHOULD NOT BE USED WITHOUT WRITTEN PERMISSION.			