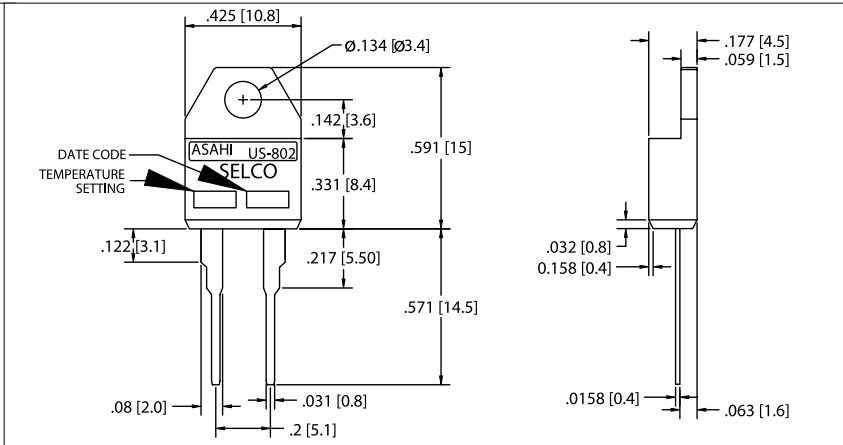
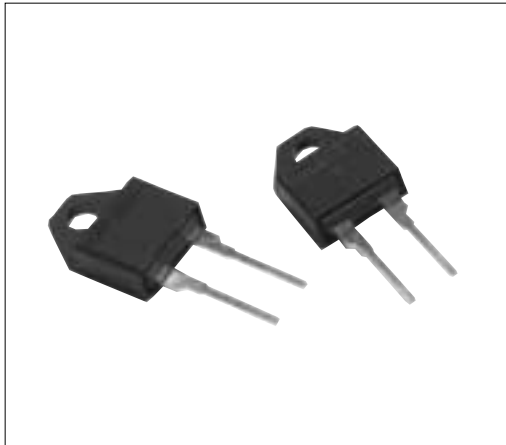


# Printed Circuit Board Thermostats

## 802 Series



### APPLICATIONS

- Computers
- Test equipment
- Power supplies

The Selco 802 Series is a miniature bimetal thermostat. This P.C.B. unit conforms to the international Y220/TO220 package. The S.P.S.T. snap-action contact is available normally open or normally closed at a factory set point range of 104°F. - 248°F.

### SPECIFICATIONS

<b>Electrical ratings</b>	48VDC, 1 Amp, Resistive, 30,000 Cycles 120VAC, 1 Amp, Resistive, 30,000 Cycles 5VDC, 20 mA, Resistive, 100,000 Cycles
<b>Temperature ranges</b>	One fixed set point 104°F. - 248°F. (40°C. - 120°C.)
<b>Differential</b>	27°F. (15°C.)
<b>Dielectric strength</b>	1500VAC/1 minute 1200VAC/1 minute between terminals and cover
<b>Circuit resistance</b>	50m ohms or less
<b>Insulation resistance</b>	100M ohms or more (with a 500VDC megger)
<b>Materials</b>	
Body housing	PBT (Polybutylene terephthalate) UL-94 VO
Terminals	Tin plated brass
Contacts	Gold plated silver
<b>Approvals</b>	
	Temperature-indicating & regulating UL873, CUL (CSA) UL File No. E145478(S), XAPX2 CUL File No. E145478(S), XAPX8 VDE File No. F-14713, CE

### MODELS AVAILABLE FROM STOCK

MODEL NO.	TEMPERATURE RANGES			
	CLOSE ON RISE			
	CLOSING		RESET	
	±9°F.	±5°C.	±12°F.	±7°C.
802F-040	104	40	77	25
802F-045	113	45	86	30
802F-050	122	50	95	35
802F-055	131	55	104	40
802F-060	140	60	113	45
802F-065	149	65	122	50
802F-070	158	70	131	55
802F-075	167	75	140	60
802F-080	176	80	149	65
802F-085	185	85	158	70
802F-090	194	90	167	75
802F-095	203	95	176	80
802F-100	212	100	185	85
802F-105	221	105	194	90
802F-110	230	110	203	95
802F-115	239	115	212	100
802F-120	248	120	221	105

MODEL NO.	TEMPERATURE RANGES			
	OPEN ON RISE			
	OPENING		RESET	
	±9°F.	±5°C.	±12°F.	±7°C.
802L-040	104	40	77	25
802L-045	113	45	86	30
802L-050	122	50	95	35
802L-055	131	55	104	40
802L-060	140	60	113	45
802L-065	149	65	122	50
802L-070	158	70	131	55
802L-075	167	75	140	60
802L-080	176	80	149	65
802L-085	185	85	158	70
802L-090	194	90	167	75
802L-095	203	95	176	80
802L-100	212	100	185	85
802L-105	221	105	194	90
802L-110	230	110	203	95
802L-115	239	115	212	100
802L-120	248	120	221	105

IT IS THE CUSTOMER'S SOLE RESPONSIBILITY TO SPECIFY AND DETERMINE THE SUITABILITY OF A PARTICULAR CONTROL OR COMPONENT BASED ON THEIR UNIQUE INDIVIDUAL APPLICATIONS AND REQUIREMENTS.

**TO ORDER:**  
**800•229•2332**

[www.selcoproducts.com](http://www.selcoproducts.com)