

[»Back to Board Level Products](#)

SW50-2G

TO-218, TO-220, TO-220-single gauge (0.020"), TO-247



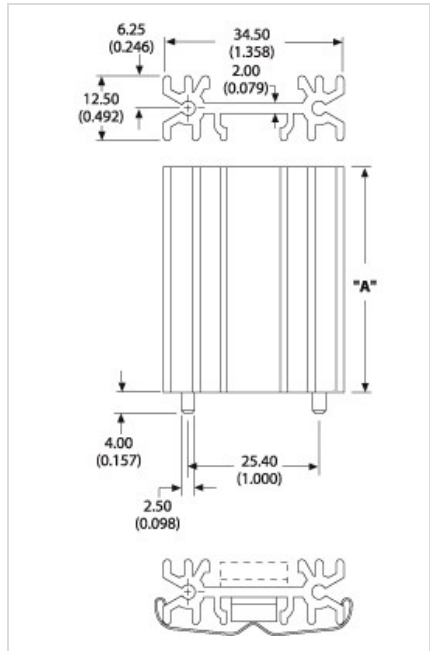
Extruded heat sink with unequal channel widths

This non-electronic component is functionally unaffected by the normal soldering or reflow processes used for semiconductor circuits. The heat resistance time or heat resistance temperature is not applicable for the component.

- Height:**50.04
- Mount Orientation:**Vertical
- Finish:**Black Anodize
- RoHS:**compliant

Thermal Resistance:8.80

Additional Drawing Dimensions:
A: 5



Need assistance?

Call us: 1-855-32-AAVID
Email: estore@aavid.com

[» Help Page](#)

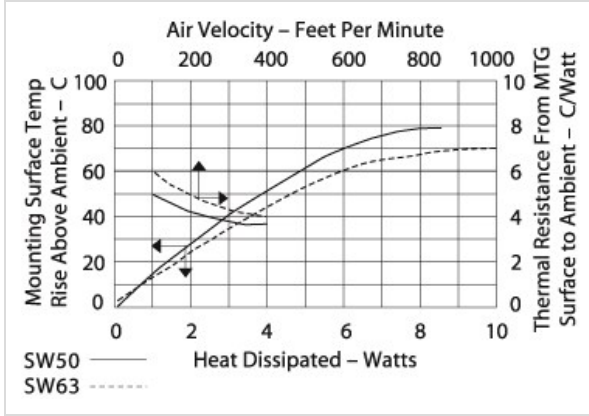
Check Distributor Stock

Enter a part number for pricing and availability.

- > [Request a Sample](#)
- > [Request a Quote](#)
- > [Ask an Engineer](#)

The Fine Print

- [Product Return Policy](#)
- [Terms & Conditions](#)
- [Privacy Policy](#)



Pins

Customer Assistance

- Contact Us
- Find a Distributor
- Find a Sales Rep
- Request a Quote
- Get Design Assistance
- Terms and Conditions
- Returns

Popular Products

- Fans Heat Sinks
- Extrusions
- Board Level
- Liquid Cooling
- Heat Pipe Technology
- Heat Sink Accessories
- Interface Materials

Our Company

- News and Events
- Management Team
- Worldwide Locations
- Disclaimer
- Customer Survey
- Privacy Policy
- Careers

Connect with Aavid

Like / Follow / Connect



© Copyright 2017 Aavid Thermalloy, LLC.