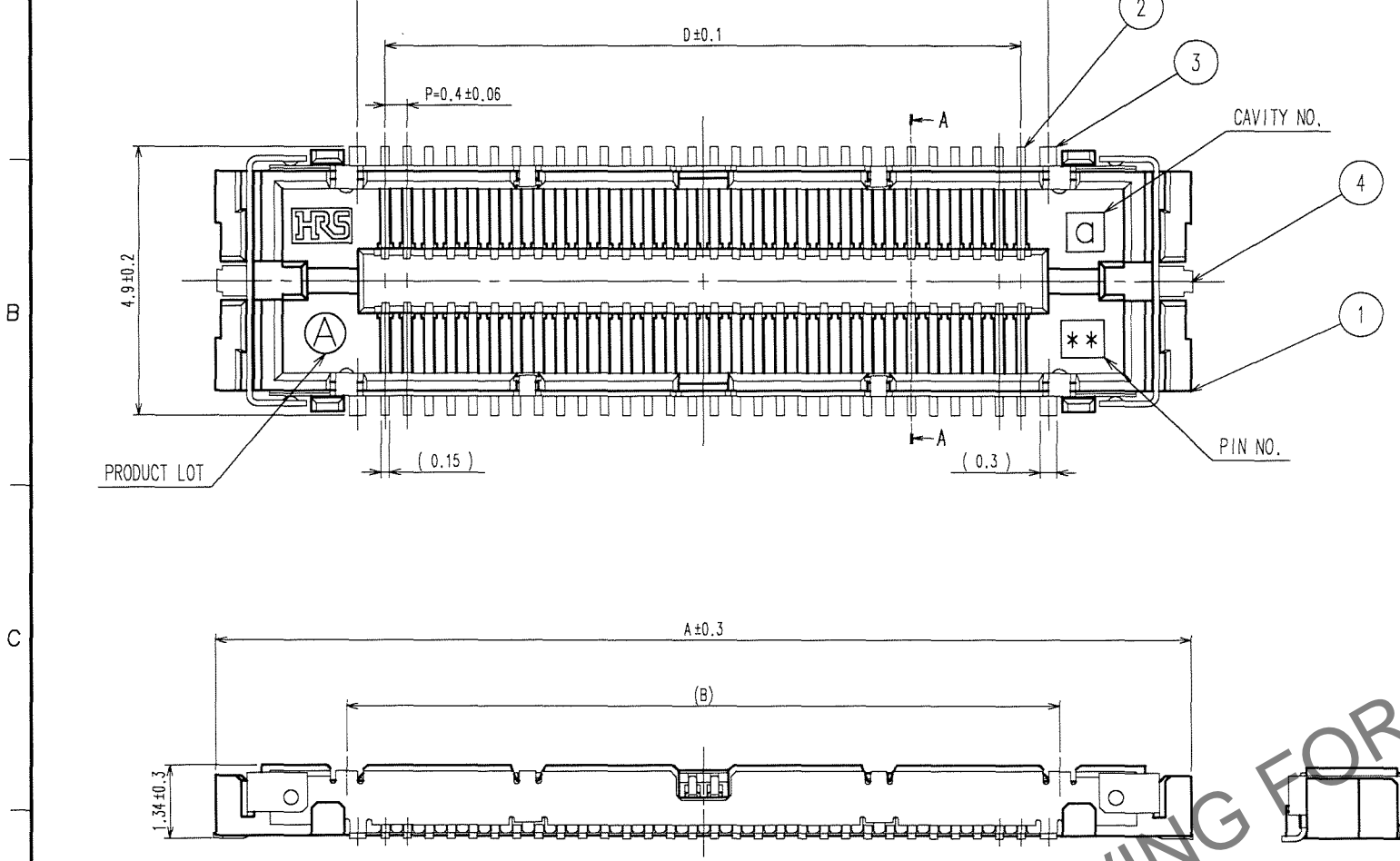
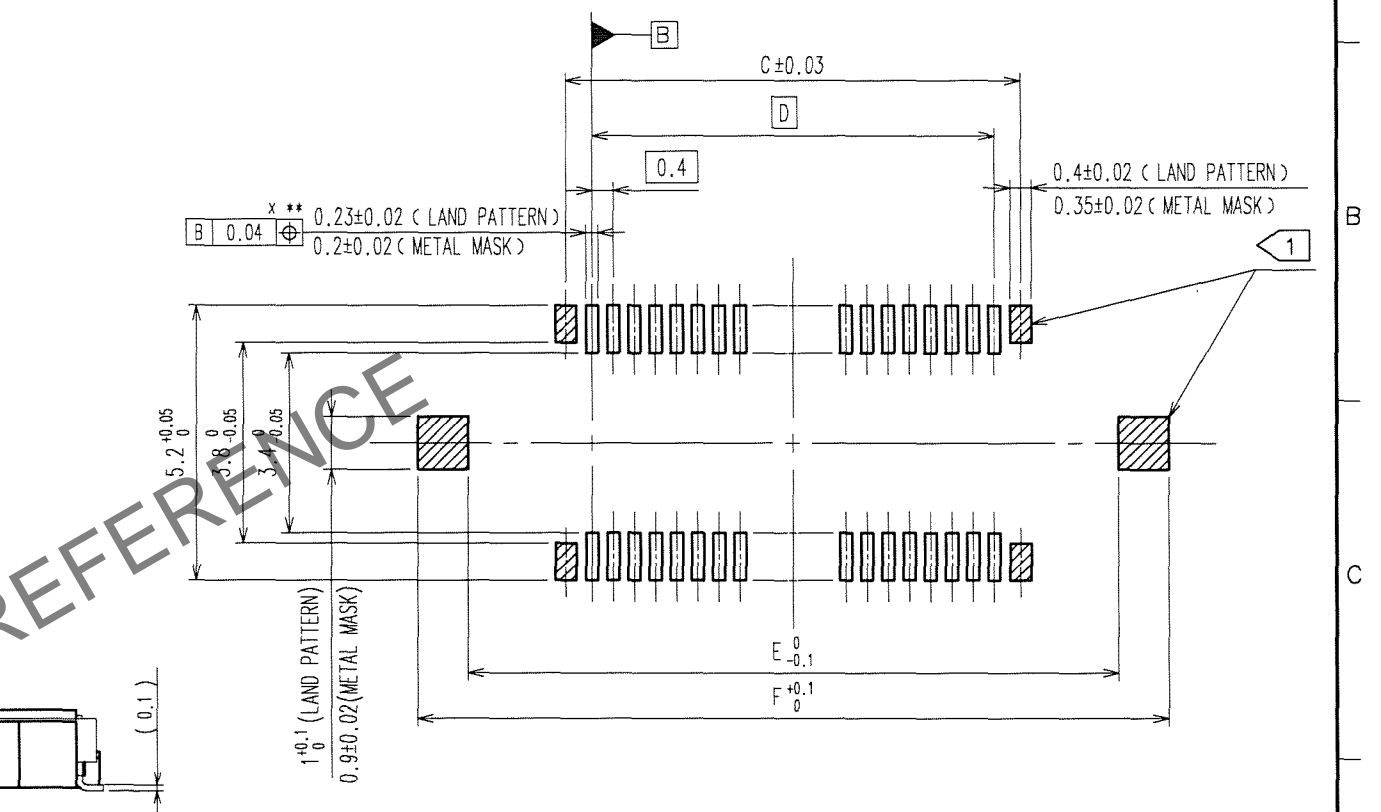


Jun.1.2024 Copyright 2024 HIROSE ELECTRIC CO., LTD. All Rights Reserved.  
In case of consideration for using Automotive equipment / device which demand high reliability, kindly contact our sales window correspondents.

5					6					7					8				
COUNT	DESCRIPTION OF REVISIONS				BY	CHKD	DATE	COUNT	DESCRIPTION OF REVISIONS				BY	CHKD	DATE				
△							..	△							..				
△							..	△							..				
△							..	△							..				

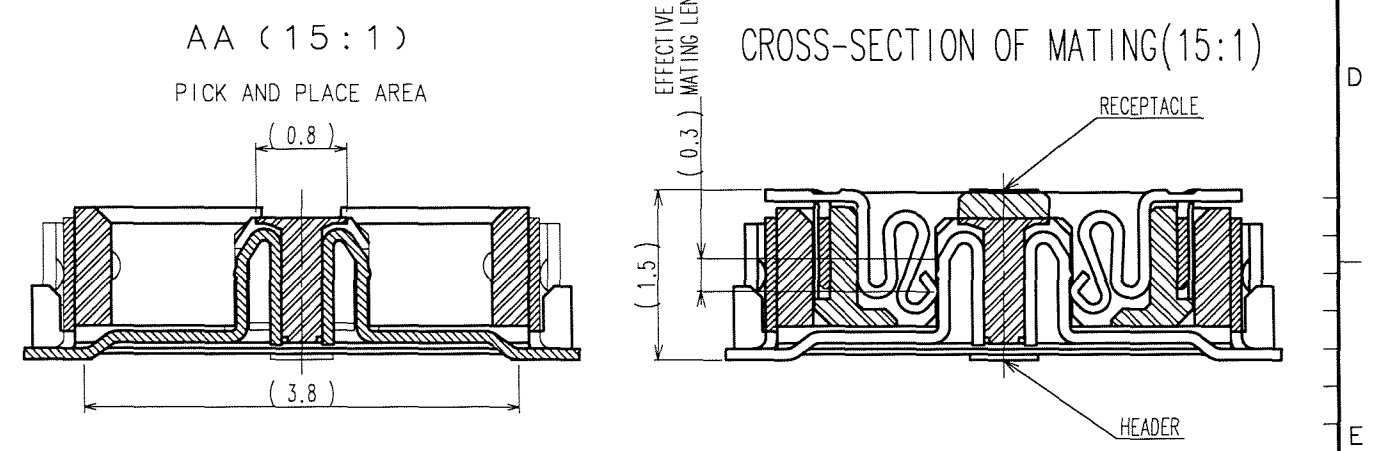


RECOMMENDED LAND PATTERN (FREE)



HRS DRAWING FOR REFERENCE

- NOTES
- 6 HATCHED PARTS: GROUND CIRCUIT.
  - SMT LEAD-COPLANARITY: 0.1 MAX.
  - THIS PRODUCT HAS NO POLARITY TO PATTERN FOR MOUNTING.
  - THE DIMENSIONS IN PARENTHESES ARE FOR REFERENCE.



PART NO.	CODE NO.	A	B	C	D	E	F
FX12B-24P-0.4SV	CL573-1005-0-00	10.59	5.8	5.4	4.4	9.1	11
FX12B-40P-0.4SV	CL573-1001-0-00	13.79	9	8.6	7.6	12.3	14.2
FX12B-50P-0.4SV	-	15.79	11	10.6	9.6	14.3	16.2
FX12B-60P-0.4SV	CL573-1007-6-00	17.79	13	12.6	11.6	16.3	18.2

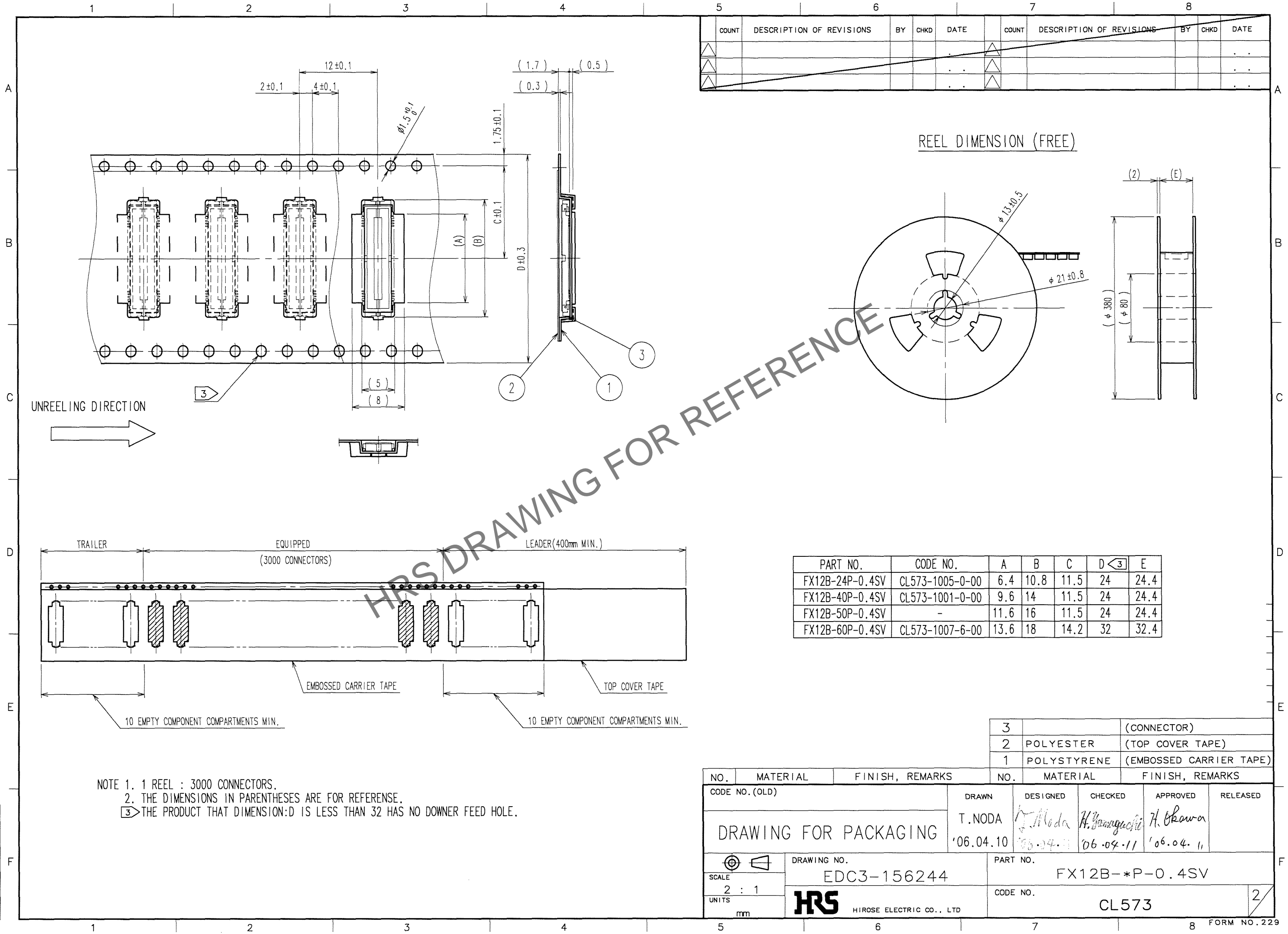
NO.	MATERIAL	FINISH, REMARKS	NO.	MATERIAL	FINISH, REMARKS
4	PHOSPHOR BRONZE	TIN-PLATING	2	PHOSPHOR BRONZE	CONTACT AREA: GOLD 0.1μ m min.
3	PHOSPHOR BRONZE	GOLD FLASH			LEAD AREA: GOLD FLASH
1	POLYAMIDE	BLACK, UL94V-0			UNDER PLATING: NICKEL 1μ m min.

CODE NO. (OLD)	DRAWN	DESIGNED	CHECKED	APPROVED	RELEASED
	T. NODA	T. Noda	H. Yamaguchi	H. Kawan	
	'06.04.10	'06.04.11	'06.04.11	'06.04.11	

SCALE	DRAWING NO.	PART NO.
FREE	EDC3-156244	FX12B-*P-0.4SV
UNITS	HIROSE ELECTRIC CO., LTD	CODE NO.
mm		CL573

TO

Jun.1.2024 Copyright 2024 HIROSE ELECTRIC CO., LTD. All Rights Reserved.  
In case of consideration for using Automotive equipment / device which demand high reliability, kindly contact our sales window correspondents.



COUNT	DESCRIPTION OF REVISIONS	BY	CHKD	DATE	COUNT	DESCRIPTION OF REVISIONS	BY	CHKD	DATE

REEL DIMENSION (FREE)

PART NO.	CODE NO.	A	B	C	D	E
FX12B-24P-0.4SV	CL573-1005-0-00	6.4	10.8	11.5	24	24.4
FX12B-40P-0.4SV	CL573-1001-0-00	9.6	14	11.5	24	24.4
FX12B-50P-0.4SV	-	11.6	16	11.5	24	24.4
FX12B-60P-0.4SV	CL573-1007-6-00	13.6	18	14.2	32	32.4

3		(CONNECTOR)
2	POLYESTER	(TOP COVER TAPE)
1	POLYSTYRENE	(EMBOSSED CARRIER TAPE)

NOTE 1. 1 REEL : 3000 CONNECTORS.  
 2. THE DIMENSIONS IN PARENTHESES ARE FOR REFERENCE.  
 3. THE PRODUCT THAT DIMENSION:D IS LESS THAN 32 HAS NO DOWNER FEED HOLE.

NO.	MATERIAL	FINISH, REMARKS	NO.	MATERIAL	FINISH, REMARKS
CODE NO. (OLD)		DRAWN		DESIGNED	CHECKED
DRAWING FOR PACKAGING		T.NODA	T.NODA	H. Yamaguchi	H. Okawa
		'06.04.10	'06.04.10	'06.04.11	'06.04.11
DRAWING NO. EDC3-156244			PART NO. FX12B-*P-0.4SV		
SCALE 2 : 1			CODE NO. CL573		
UNITS mm			2		

TO