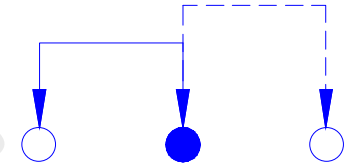
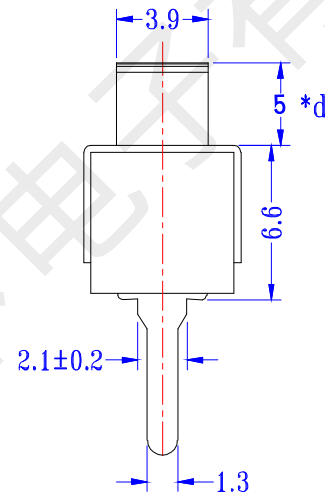
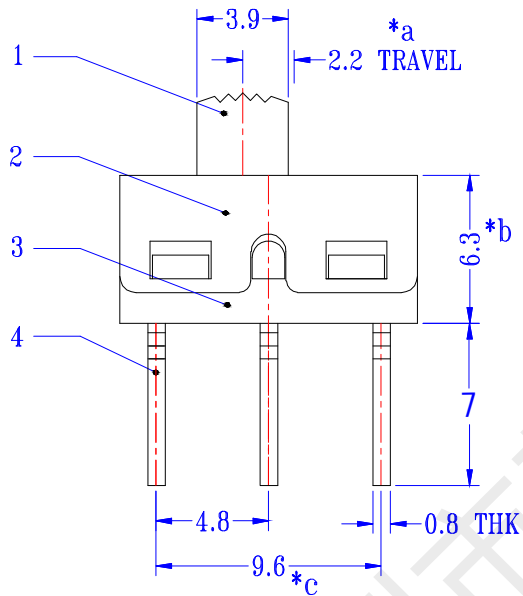
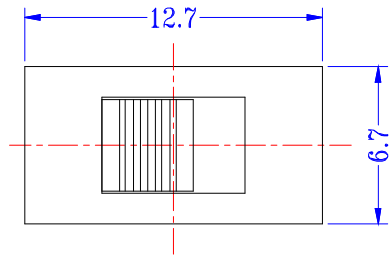
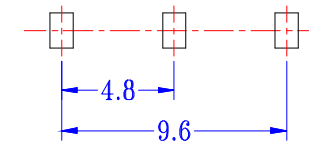


CAD FILE:



SCHEMATIC(NON-SHORTING)



P.C.B LAYOUT
BOTTOM VIEW

所有标注尺寸公差为: $\pm 0.2\text{mm}$

NO.	PARTS	MATERIALS	Q'TY	FINISH	TOLERANCE UNLESS SPECIFIED		DESCRIPTIONS OF REVISION		
8					WITHIN : $\pm 0.2\text{mm}$	A			
7	PRESS BAR	NYLON+F.G+94V0(PA9T)	1	BLACK	OVER : $\pm 0.2\text{mm}$	ISSUE	DATE		APPD.
6	SPRING	STEEL WIRE	1	NATURAL	TITLE : VERTICAL SLIDE SWITCH MODEL: HX SS-12D10G5				
	CONTACT	COPPER STRIP	1	Ag PLATED					
4	TERMINAL	COPPER STRIP	3	Ag PLATED OVER Ni PLATED	SCALE: 3 : 1	DWN.	黄彬	2020. 6. 24	
3	CASE	NYLON+F.G+94V0(PA9T)	1	BLACK	CHK'D	张伟	2020. 6. 24		
2	COVER	SUS	1	NATURAL	APPD.	罗小春	2020. 6. 24		
1	NOB	NYLON+F.G+94V0(PA9T)	1	BLACK					