

JF600 series

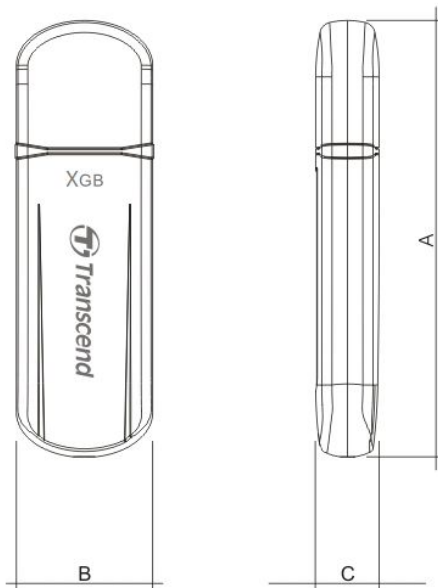
Description

Transcend's USB Flash modules are convenient, easy to implement solutions for expanding the memory capacity of industrial computers. These compact storage devices consume a minimal amount of power and feature a mechanical write protection switch. Due to their minimalist dimensions, the USB modules are suitable for use in smaller embedded systems.

Features

- RoHS compliant products
- Hi-Speed USB 2.0 compliant
- Low Power consumption
- Fully compatible with devices and Operating Systems that support the USB standard
- Fully compliant with open industry standards
- LED indicates the access status of USB Flash Module
- Write protection switch

Placement

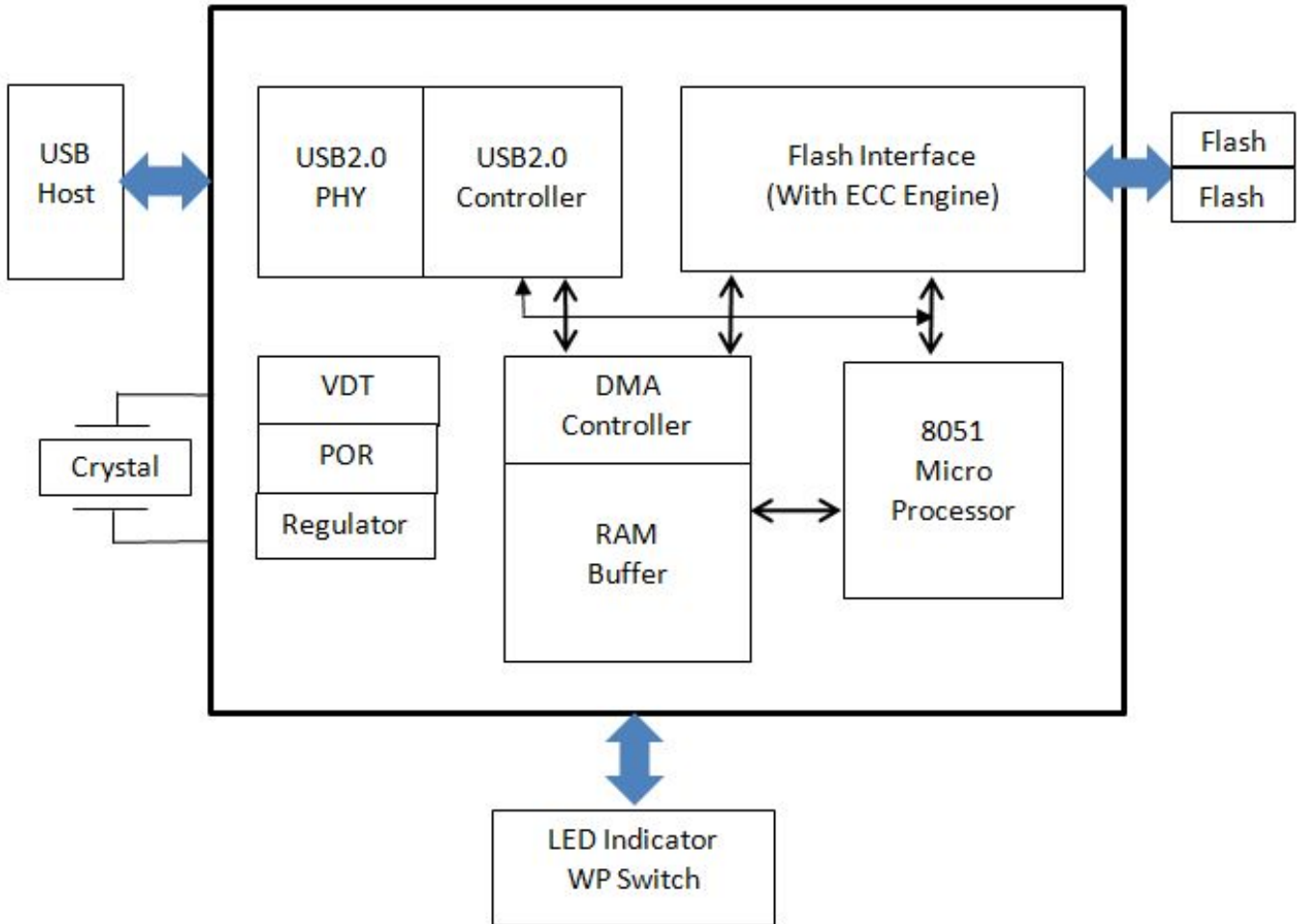


Dimensions

Side	Millimeters	Inches
A	60.90 ± 0.10	2.40 ± 0.004
B	19.30 ± 0.10	0.76 ± 0.004
C	8.50 ± 0.10	0.33 ± 0.004

* Please refer to Mechanical Drawing

Architecture



Product Features

1. Built-in ECC Engine

In event of errors, the combined data allow the recovery of the original data. The number of errors that can be recovered depends on the algorithm used.

2. Wear-leveling

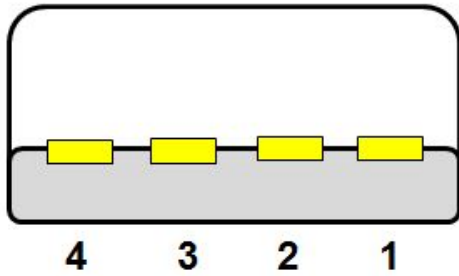
This function means the data are no longer tied to a single physical area, which can extend Card's life expectancy.

3. Read Retry

The function allows the read voltage to be dynamically adjusted such that read errors are decreased or even eliminated.

USB Pin Definition

USB2.0 Type-A Connector



Pin No.	Pin Name	Function
01	VCC	USB power input
02	USB-	USB differential signal
03	USB+	
04	VSS	Ground

Specifications

Physical Specification	
Connector Form Factor	USB Type-A
USB specification	USB2.0
NAND flash	MLC

Endurance		
<u>TeraBytes Written (T.B.)</u>	TS4GJF600	7.5
	TS8GJF600	15
	TS16GJF600	30
	TS32GJF600	60
	TS64GJF600	120

*TBW is based on Transcend internal standard with flash with 3K P/E to calculate how much data can be written into the drive. TBW may vary due to different operation.

*1 TeraByte=1,000,000,000 bytes

Bus Mode/ Power Consumption	
Power Supply	5V ± 10%
Max current	200mA

Note: Power consumption is measured based on Transcend internal Test

Environmental Specifications	
Operating Temperature	- 0C to 70C
Storage Temperature	- 40°C to 85°C
Vibration	3G(peak-to-peak), 5Hz to 800Hz (Frequency)
Shock	1500G, 0.5ms, 3axis
MTBF	3,000,000 hours

The technical information above is based on industry standard data and has been tested to be reliable. However, Transcend makes no warranty, either expressed or implied, as to its accuracy and assumes no liability in connection with the use of this product. Transcend reserves the right to make changes to the specifications at any time without prior notice. Due to the complexity and variety of industrial applications, for special applications and environments, it is strongly suggested to contact Transcend or its authorized resellers beforehand for compatibility confirmation.

Order information

Capacity	Transcend Part Number
4GB	TS4GJF600
8GB	TS8GJF600
16GB	TS16GJF600
32GB	TS32GJF600
64GB	TS64GJF600

**TAIWAN**E-mail: sales-tw@transcend-info.com**USA****Los Angeles:**E-mail: sales-us@transcend-info.com**Maryland:**E-mail: sales-us@transcend-info.com**Miami:**E-mail: sales-us@transcend-info.com**Silicon Valley:**E-mail: sales-us@transcend-info.com**GERMANY**E-mail: sales-de@transcend-info.com**THE NETHERLANDS**E-mail: sales-nl@transcend-info.com**United Kingdom**E-mail: sales-uk@transcend-info.com**JAPAN**E-mail: sales-jp@transcend-info.com**KOREA**E-mail: sales-kr@transcend-info.com**CHINA**E-mail: sales@transcendchina.com**HONG KONG**E-mail: sales-hk@transcend-info.com

Revision History

Version	Date	Note
1.0	2017/12/28	The 1 st SD edition