

FLKM 50-PA-SLC500/OUT/2A - Front adapter



2293446

<https://www.phoenixcontact.com/us/products/2293446>

Please be informed that the data shown in this PDF document is generated from our online catalog. Please find the complete data in the user documentation. Our general terms of use for downloads are valid.



VARIOFACE front adapter, 1 x 16 channels can be connected for Allen-Bradley SLC 500 1746 OA16 and OW16

Your advantages

- Suitable VARIOFACE termination boards with a wide range of functions and connection options

Commercial data

| | |
|--------------------------------------|--------------------------------|
| Item number | 2293446 |
| Packing unit | 1 pc |
| Note | Made to order (non-returnable) |
| Sales key | C421 |
| Product key | CK231R |
| Catalog page | Page 476 (C-5-2017) |
| GTIN | 4017918108847 |
| Weight per piece (including packing) | 59 g |
| Weight per piece (excluding packing) | 58.6 g |
| Customs tariff number | 85369010 |
| Country of origin | DE |

FLKM 50-PA-SLC500/OUT/2A - Front adapter



2293446

<https://www.phoenixcontact.com/us/products/2293446>

Technical data

Product properties

| | |
|--------------|---------------|
| Product type | Front adapter |
|--------------|---------------|

Insulation characteristics

| | |
|------------|-----------------------|
| Insulation | Functional insulation |
|------------|-----------------------|

Insulation characteristics

| | |
|----------------------|-----------------------|
| Insulation | Functional insulation |
| Overvoltage category | II |
| Pollution degree | 2 |

Electrical properties

| | |
|----------------------------------|-------------------------------|
| Operating voltage (AC) | ≤ 25 V AC |
| Operating voltage (DC) | ≤ 60 V DC |
| Current (Per path) | ≤ 2 A |
| Current (Total current per byte) | ≤ 7 A (Feed-in via connector) |
| Rated insulation voltage | 63 V |
| Rated surge voltage | 0.6 kV |

Supported controller ALLEN-BRADLEY SLC 500

| | |
|-------------------|-----------|
| Suitable I/O card | 1746 OA16 |
| | 1746 OW16 |

Connection data

Field level

| | |
|-----------------------|-------------------|
| Connection method | IDC/FLK pin strip |
| Number of connections | 1 |
| Number of positions | 50 |
| Pitch | 2.54 mm |

Environmental and real-life conditions

Ambient conditions

| | |
|---|------------------|
| Degree of protection | IP20 |
| Ambient temperature (operation) | -20 °C ... 50 °C |
| Ambient temperature (storage/transport) | -20 °C ... 70 °C |

Standards and regulations

| | |
|-----------------------|--------------|
| Standards/regulations | IEC 60664 |
| | DIN EN 50178 |

Mounting

| | |
|-------------------|-----|
| Mounting position | any |
|-------------------|-----|

FLKM 50-PA-SLC500/OUT/2A - Front adapter



2293446

<https://www.phoenixcontact.com/us/products/2293446>

Notes

Notes on operation

For proper use, the specifications of the installation directive (see Downloads) must be observed. For applications or use with third-party products, the specifications, and the safety and warning instructions of the respective third-party manufacturer must also be met.

FLKM 50-PA-SLC500/OUT/2A - Front adapter

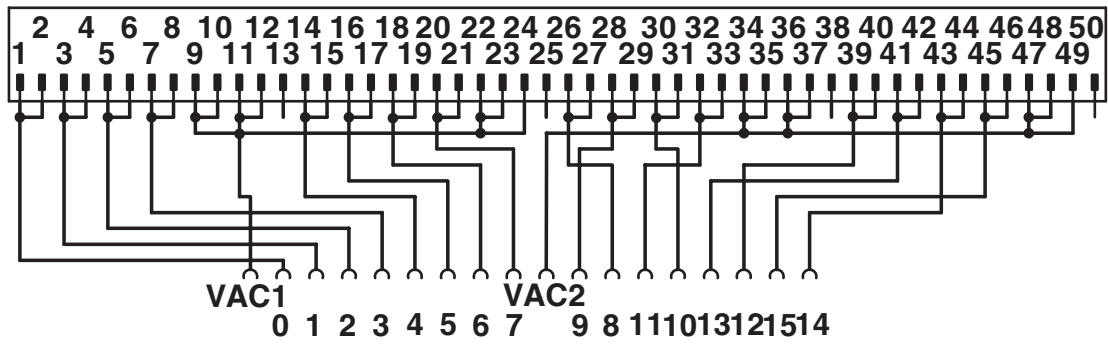


2293446

<https://www.phoenixcontact.com/us/products/2293446>

Drawings

Circuit diagram



FLKM 50-PA-SLC500/OUT/2A - Front adapter



2293446

<https://www.phoenixcontact.com/us/products/2293446>

Classifications

ECLASS

| | |
|-------------|----------|
| ECLASS-11.0 | 27242292 |
| ECLASS-13.0 | 27242292 |

Phoenix Contact 2024 © - all rights reserved

<https://www.phoenixcontact.com>

Phoenix Contact USA
586 Fulling Mill Road
Middletown, PA 17057, United States
(+717) 944-1300
info@phoenixcon.com