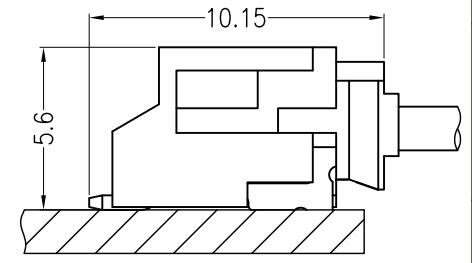
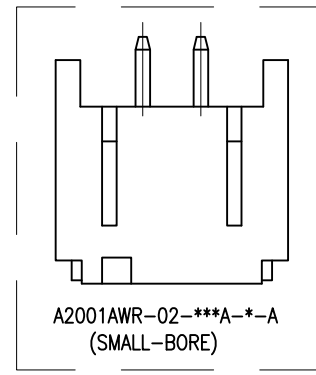
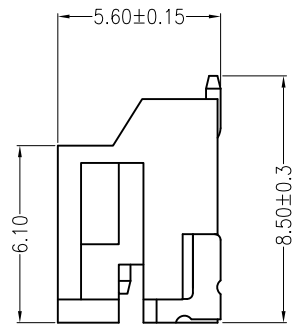
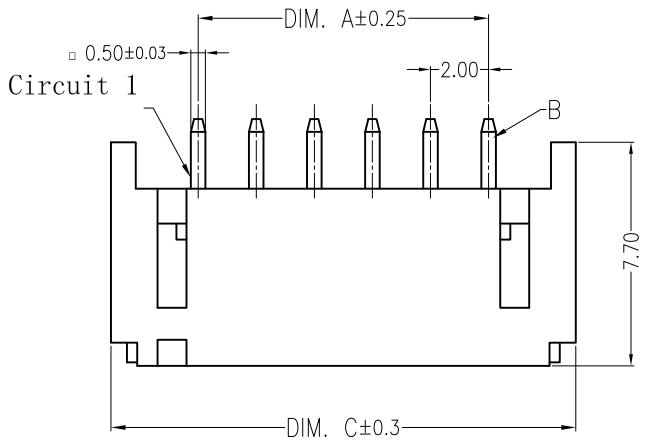
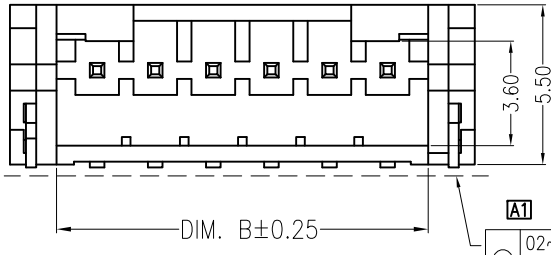


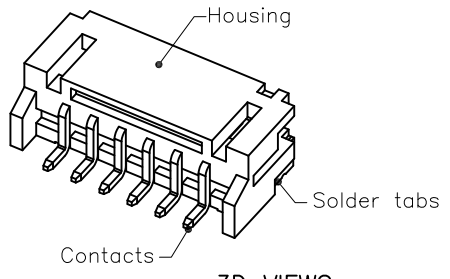
修订 REV	标记 MARK	修改摘要 REVISION DESCRIPTION	签名 SIGNATURE	日期 DATE
A0		NEW DWG		2016-05-07



Assembly Layout



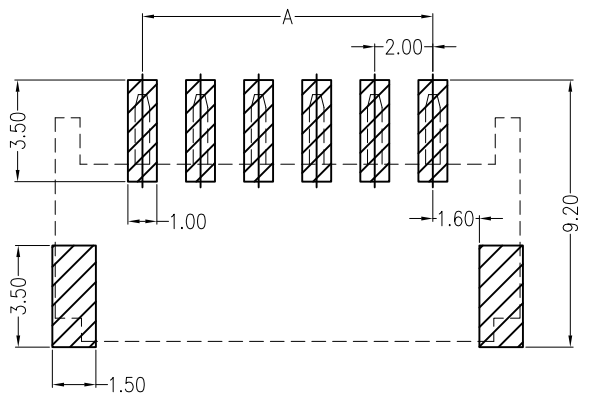
Symbol	Range	Value	Limit
D	02~11	0.10	MAX
	12~16	0.12	MAX



3D VIEWS

Specifications:
 Contact resistance: ≤20mΩ
 Insulation resistance: ≥1000MΩ
 Rated voltage: 250V AC DC
 Rated current: 2.0A AC DC
 Withstand voltage: 1000V AC/minute
 Temperature range: -25°C ~ +105°C
 Housing: LCP/PA9T, UL94V-0 (Natural, Black, Red)
 Contacts: Brass/Sn
 Solder tabs: Brass/Sn

Circuits	Dimensions (mm)		
	DIM. A	DIM. B	DIM. C
02	2.00	4.75	8.00
03	4.00	6.75	10.00
04	6.00	8.75	12.00
05	8.00	10.75	14.00
06	10.00	12.75	16.00
07	12.00	14.75	18.00
08	14.00	16.75	20.00
09	16.00	18.75	22.00
10	18.00	20.75	24.00
11	20.00	22.75	26.00
12	22.00	24.75	28.00
13	24.00	26.75	30.00
14	26.00	28.75	32.00
15	28.00	30.75	34.00
16	30.00	32.70	36.00



SUGGESTED PCB LAYOUT

HDGC 深圳市华德共创科技有限公司
 Shenzhen Huade co-create Technology Co., LTD
 电话: 0755-27129737 传真: 0755-29940187

-TOLERANCES- UNLESS OTHERWISE SPECIFIED 公差参数表		TITLE: 产品名称: PH2.0 卧贴	
X.X ± 0.30	X.X° ± 3°	APPD: 核准: 谢亮	PART NO: 产品编号: HDGC2001WR-S-XP
X.XX ± 0.30	X.XX° ± 2°	CHECK: 校对: 王建业	DATE SCALE UNIT CODE NUMBER
X.XXX ± 0.10	X.XXX° ± 1°	DRAW: 绘图: 黄艳兰	2016-05-07 1:1 mm A018