

Product Specification

500m 100G CWDM4 Lite QSFP28 Optical Transceiver Module

FTLC1157RGPL6

PRODUCT FEATURES

- Hot-pluggable QSFP28 form factor
- Supports 103.1Gb/s aggregate bit rate
- Power dissipation < 3.5W
- RoHS-6 compliant
- Limited case temperature range of 15°C to +60°C
- Single 3.3V power supply
- Loss budget of 3.5 dB on up to 500 m of Single Mode Fiber (SMF) with KR4 FEC
- 4x25Gb/s CWDM transmitter
- 4x25G retimed electrical interface
- Duplex LC receptacles
- I2C management interface



APPLICATIONS

- 100G CWDM4 Lite applications with FEC
- Data Center applications
- Open Compute Project (OCP) compliant

Finisar's FTLC1157RGPL6 QSFP28 transceiver modules are designed for use in 100 Gigabit Ethernet links on up to 500m of single mode fiber. Designed for data center applications with a limited temperature range (15°C to 60°C) and limited reach (500m), the transceivers are compliant with the QSFP28 MSA¹, CWDM4 MSA² and portions of IEEE 802.3bm CAUI-4³ within 15°C to 60°C. Digital diagnostic functions are available via the I2C interface, as specified by the QSFP28 MSA and Finisar Application Notes AN-2153⁴ and AN-2154⁵. The optical transceiver is compliant per the RoHS-6 Directive 2011/65/EU⁶. See Finisar Application Note AN-2038⁷ for more details.

PRODUCT SELECTION

FTLC1157RGPL6

- 7: Gen 3
- R: Ethernet maximum bit rate (103.1 Gb/s)
- G: 4x25G CWDM optical architecture
- P: Pull-tab release
- L: LC straight receptacles
- 6 : Lite reach (500m) and limited temperature range

I. Pin Descriptions

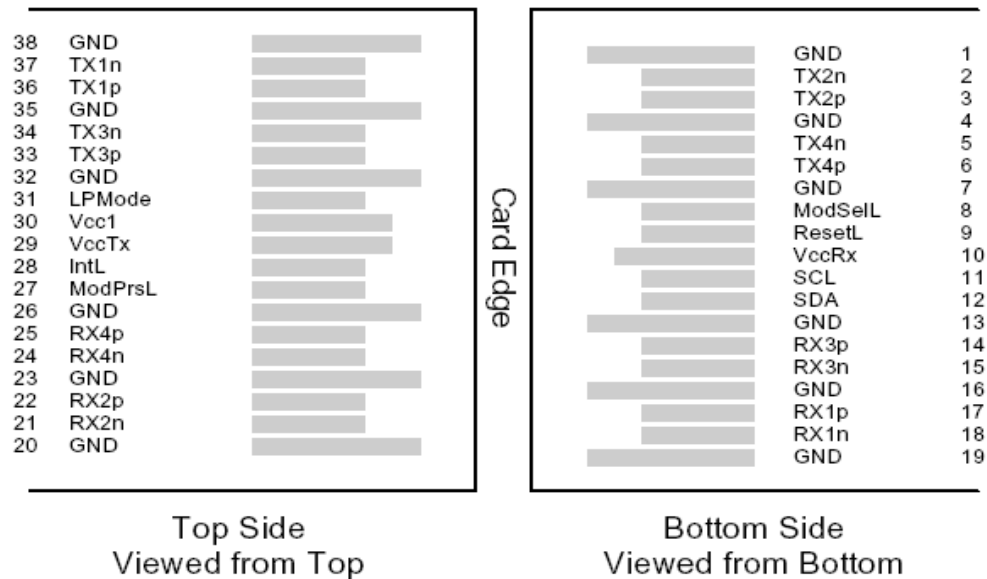


Figure 1 – QSFP28-compliant 38-pin connector (per SFF-8679)

| Pin | Symbol | Name/Description | Notes |
|-----|---------|-------------------------------------|-------|
| 1 | GND | Ground | 1 |
| 2 | Tx2n | Transmitter Inverted Data Input | |
| 3 | Tx2p | Transmitter Non-Inverted Data Input | |
| 4 | GND | Ground | 1 |
| 5 | Tx4n | Transmitter Inverted Data Input | |
| 6 | Tx4p | Transmitter Non-Inverted Data Input | |
| 7 | GND | Ground | 1 |
| 8 | ModSelL | Module Select | |
| 9 | ResetL | Module Reset | |
| 10 | Vcc Rx | +3.3 V Power supply receiver | |
| 11 | SCL | 2-wire serial interface clock | |
| 12 | SDA | 2-wire serial interface data | |
| 13 | GND | Ground | 1 |
| 14 | Rx3p | Receiver Non-Inverted Data Output | |
| 15 | Rx3n | Receiver Inverted Data Output | |
| 16 | GND | Ground | 1 |
| 17 | Rx1p | Receiver Non-Inverted Data Output | |
| 18 | Rx1n | Receiver Inverted Data Output | |
| 19 | GND | Ground | 1 |
| 20 | GND | Ground | 1 |
| 21 | Rx2n | Receiver Inverted Data Output | |
| 22 | Rx2p | Receiver Non-Inverted Data Output | |
| 23 | GND | Ground | 1 |
| 24 | Rx4n | Receiver Inverted Data Output | |
| 25 | Rx4p | Receiver Non-Inverted Data Output | |
| 26 | GND | Ground | 1 |
| 27 | ModPrsL | Module Present | |
| 28 | IntL | Interrupt | |
| 29 | Vcc Tx | +3.3 V Power supply transmitter | |
| 30 | Vcc1 | +3.3 V Power Supply | |

| | | | |
|----|--------|-------------------------------------|---|
| 31 | LPMODE | Low Power Mode | |
| 32 | GND | Ground | 1 |
| 33 | Tx3p | Transmitter Non-Inverted Data Input | |
| 34 | Tx3n | Transmitter Inverted Data Input | |
| 35 | GND | Ground | 1 |
| 36 | Tx1p | Transmitter Non-Inverted Data Input | |
| 37 | Tx1n | Transmitter Inverted Data Input | |
| 38 | GND | Ground | 1 |

Notes

1. Circuit ground is internally isolated from chassis ground.

II. Absolute Maximum Ratings

Module performance is not guaranteed beyond the operating range (see Section VI). Exceeding the limits below may damage the transceiver module permanently.

| Parameter | Symbol | Min | Typ | Max | Unit | Ref. |
|-------------------------------------|-------------------|------|-----|-----|------|------|
| Maximum Supply Voltage | V _{CC} | -0.5 | | 3.6 | V | |
| Storage Temperature | T _S | -40 | | +85 | °C | |
| Case Operating Temperature | T _{OP} | 15 | | +60 | °C | |
| Relative Humidity | RH | 15 | | 85 | % | 1 |
| Receiver Damage Threshold, per Lane | P _{Rdmg} | 3.5 | | | dBm | |

Notes:

1. Non-condensing. Do not operate in a condensing environment.

III. Electrical Characteristics (EOL, T_{OP} = 15 to +60 °C, V_{CC} = 3.135 to 3.465 Volts)

| Parameter | Symbol | Min | Typ | Max | Unit | Ref. |
|-----------------------------------------------------|----------------------|-----------------------------------------------------------------------------|------|-------|------|------|
| Supply Voltage | V _{CC} | 3.135 | | 3.465 | V | |
| Supply Current | I _{CC} | | | 1.12 | A | |
| Module total power | P | | | 3.5 | W | 1 |
| Transmitter | | | | | | |
| Signaling rate per lane | | 25.78125 ± 100 ppm | | | GBd | |
| Differential data input swing per lane | V _{in,pp} | | | 900 | mV | |
| Differential input return loss (min) | RL _d (f) | 9.5 – 0.37f, 0.01 ≤ f < 8 4.75 – 7.4log ₁₀ (f/14), 8 ≤ f < 19 | | | dB | |
| Differential to common mode input return loss (min) | RL _{dc} (f) | 22-20(f/25.78), 0.01 ≤ f < 12.89 15-6(f/25.78), 12.89 ≤ f < 19 | | | dB | |
| Differential termination mismatch | | | | 10 | % | |
| Stressed input parameters | | | | | | |
| Eye width | | | 0.46 | | UI | |
| Applied pk-pk sinusoidal jitter | | Per IEEE 802.3bm Table 88-13 | | | | |
| Eye height | | | 95 | | mV | |
| DC common mode voltage | | -350 | | 2850 | mV | |
| Receiver | | | | | | |
| Signaling rate per lane | | 25.78125 ± 100 ppm | | | GBd | |
| Differential data output swing | V _{out,pp} | 100 | | 400 | mVpp | 2 |
| | | 300 | | 600 | | |
| | | 400 | | 800 | | |
| | | 600 | | 1200 | | |
| Eye width | | 0.57 | | | UI | |
| Vertical eye closure | | | | 5.5 | dB | |

| | | | | | |
|----------------------------------------------------------|-------------------------------|------------------------------------------------------------------------------|--|----|----|
| Differential output return loss (min) | RLd(f) | 9.5 – 0.37f, 0.01 ≤ f < 8 4.75 – 7.41log ₁₀ (f/14), 8 ≤ f < 19 | | dB | |
| Common to differential mode conversion return loss (min) | RLdc(f) | 22-20(f/25.78), 0.01 ≤ f < 12.89 15-6(f/25.78), 12.89 ≤ f < 19 | | dB | |
| Differential termination mismatch | | | | 10 | % |
| Transition time, 20% to 80% | t _r t _f | 12 | | | ps |

Notes:

- Maximum total power value is specified across the full temperature and voltage range.
- Output voltage is settable in 4 discrete ranges via I2C. Default range is Range 2 (400 – 800 mV).

IV. Optical Characteristics (EOL, T_{OP} = 15 to +60 °C, V_{CC} = 3.135 to 3.465 Volts)

| Parameter | Symbol | Min | Typ | Max | Unit | Ref. |
|----------------------------------------------------------|--------------------|--------------------------------------------------------------------------|-----|-------|------|------|
| Transmitter | | | | | | |
| Signaling Speed per Lane | | 25.78125 ± 100 ppm | | | GBd | 1 |
| Lane center wavelengths (range) | | 1264.5 – 1277.5 1284.5 – 1297.5 1304.5 – 1317.5 1324.5 – 1337.5 | | | nm | |
| Transmit OMA per Lane | TxOMA1 | -4.5 | | 2.5 | dBm | |
| Transmit Average Power per Lane | | | | 2.5 | dBm | 7 |
| Optical Extinction Ratio | ER | 3.5 | | | dB | |
| Transmitter and Dispersion Penalty per Lane | TDP | | | 3 | dB | 2 |
| Launch Power (OMA-TDP) | OMA-TDP | -5.5 | | | dBm | |
| Sidemode Suppression ratio | SSR _{min} | 30 | | | dB | |
| Average launch power of OFF transmitter, per lane | | | | -30 | dBm | |
| Transmitter Reflectance | | | | -12 | dB | |
| Transmitter eye mask definition {X1, X2, X3, Y1, Y2, Y3} | | {0.31, 0.4, 0.45, 0.34, 0.38, 0.4} | | | | 3 |
| Receiver | | | | | | |
| Signaling Speed per Lane | | 25.78125 ± 100 ppm | | | GBd | 4 |
| Lane center wavelengths (range) | | 1264.5 – 1277.5 1284.5 – 1297.5 1304.5 – 1317.5 1324.5 – 1337.5 | | | nm | |
| Receive Saturation (OMA) per Lane | R _{max} | 2.5 | | | dBm | |
| Damage threshold per Lane | | 3.5 | | | dBm | |
| Unstressed Receiver Sensitivity (OMA) per Lane | R _{xsens} | | | -9.5 | dBm | 5 |
| Stressed Receiver Sensitivity (OMA) per Lane | SRS | | | -6.8 | dBm | 6 |
| LOS De-Assert | LOS _D | | | -10.6 | dBm | |
| LOS Assert | LOS _A | -28 | | -13.6 | dBm | |
| LOS Hysteresis | | | 1.5 | | dB | |

Notes:

- Transmitter consists of 4 lasers operating at 25.78Gb/s each.
- TDP value does not include MPI penalty.
- Hit ratio of 5x10⁻⁵, per IEEE.
- Receiver consists of 4 photodetectors operating at 25.78Gb/s each.
- Sensitivity is specified at 5x10⁻⁵ BER.
- Measured with CWDM4 MSA² conformance test signal at TP3 for 5x10⁻⁵ BER.
- Power value and power accuracy are with all channels on.

V. General Specifications

| Parameter | Symbol | Min | Typ | Max | Units | Ref. |
|-------------------------------------|----------|-----|-----|--------------------|-------|------|
| Bit Rate (all wavelengths combined) | BR | | | 103.1 | Gb/s | |
| Bit Error Ratio @25.78Gb/s | BER | | | 5x10 ⁻⁵ | | 1 |
| Maximum Supported Reach | | | | | | |
| Fiber Type | | | | | | |
| SMF per G.652 | LossBdgt | | | 3.5 | dB | 2 |

Notes:

1. Tested with a 2³¹ – 1 PRBS.
2. This 3.5 dB loss budget includes 2.5dB optical coding gain from FEC on the host [RS-FEC (528,514) per Clause 91]. The maximum informative link length is 500m. The option to bypass RS-FEC is not supported. Loss budget may include up to 1dB MPI loss penalty with worst case Transmitter and worst case connector MPI.

VI. Environmental Specifications

Finisar FTLC1157RGPL6 QSFP28 transceivers have an operating case temperature range of 15°C to +60°C.

| Parameter | Symbol | Min | Typ | Max | Units | Ref. |
|----------------------------|------------------|-----|-----|-----|-------|------|
| Case Operating Temperature | T _{op} | 15 | | +60 | °C | |
| Storage Temperature | T _{sto} | -40 | | +85 | °C | |

VII. Regulatory Compliance

Finisar FTLC1157RGPL6 QSFP28 transceivers are Class 1 Laser Products. They are certified per the following standards:

| Feature | Agency | Standard |
|-------------------|----------|---------------------------------------|
| Laser Eye Safety | FDA/CDRH | CDRH 21 CFR 1040 and Laser Notice 50 |
| | CSA | IEC60825-2:2004+A1+A2 |
| | TüV | EN60825-1:2014 & EN60825-2:2006+A1+A2 |
| Electrical Safety | CSA | IEC60950-1:2005+A1+A2 |
| | TüV | EN60950-1:2006+A11+A1+A12+A2 |
| | UL/CSA | CLASS 3862.13 & CLASS 3862.93 |

Copies of the referenced certificates are available at Finisar Corporation upon request.

VIII. Digital Diagnostics Functions

FTLC1155RGPL2 QSFP28 transceivers support the I2C-based diagnostics interface specified by the SFF Committee¹. See also Finisar Application Notes AN-2153⁴ and AN-2154⁵.

IX. Memory Contents

Per SFF-8665 Specification¹. See Finisar Application Note AN-2154⁵. For CFP replacement applications, the transceiver module can be customized to enable Tx_Disable and Rx_LOS functions as alternate functions on LPMODE and IntL pins. See Finisar Application Note AN-2174⁸ for more details.

XI. Mechanical Specifications

Finisar FTLC1157RGPL6 transceivers are compatible with the QSFP28 Specification for pluggable form factor modules.

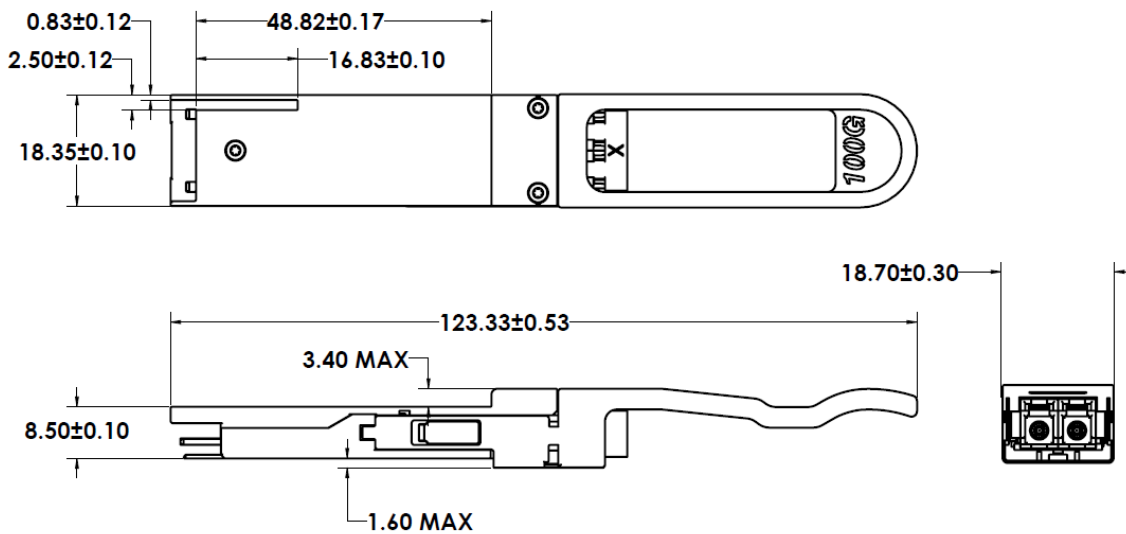


Figure 2. FTLC1157RGPL6 Mechanical Dimensions.

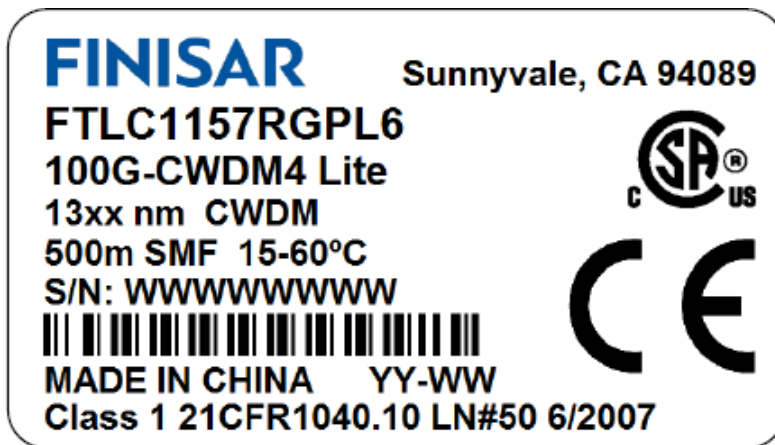


Figure 3. Product Label (Not to Scale)

XII. References

1. SFF-8665: “QSFP+ 28Gb/s 4X Pluggable Transceiver Solution (QSFP28)”, Rev 1.9, June 29, 2015 and associated SFF documents referenced therein:
 - i. SFF-8661
 - ii. SFF-8679
 - iii. SFF-8636
 - iv. SFF-8662
 - v. SFF-8663
 - vi. SFF-8672
 - vii. SFF-8683
2. 100G CWDM4 MSA Technical Specifications: 2km Optical Specifications, Rev. 1.1, November 23, 2015.
3. IEEE P802.3bm, Annex 83E, CAUI-4 Interface.
4. Application Note AN-2153, Initialization, Finisar Corporation.
5. Application Note AN-2154, EEPROM Map, Finisar Corporation.
6. Directive 2011/65/EU of the European Parliament and of the Council, “on the restriction of the use of certain hazardous substances in electrical and electronic equipment,” Certain products may use one or more exemptions as allowed by the Directive. July 1, 2011.
7. Application Note AN-2038: Finisar Implementation Of RoHS Compliant Transceivers, Finisar Corporation.
8. Application Note AN-2174: QSFP28 LR4 and QSFP28 CWDM4 – Tx_Disable and Rx_LOS Capability, Finisar Corporation.

For More Information:

Finisar Corporation
1389 Moffett Park Drive
Sunnyvale, CA 94089-1133
Tel. 1-408-548-1000
Fax 1-408-541-6138
sales@finisar.com
www.finisar.com