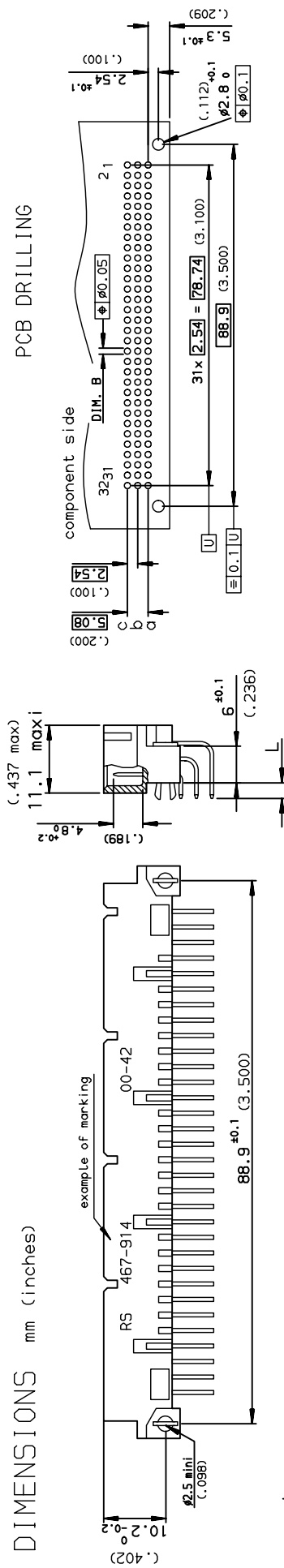
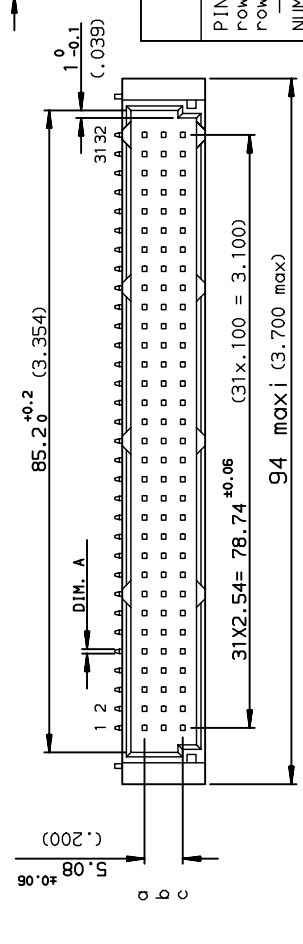
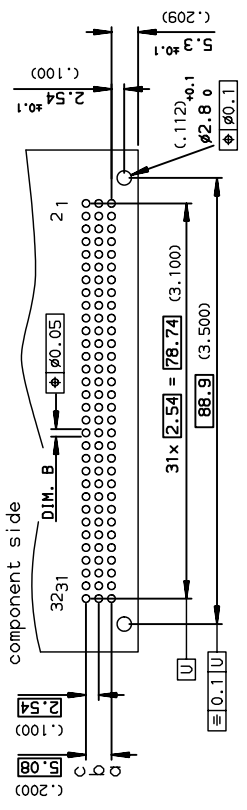


DIMENSIONS mm (inches)



PCB DRILLING



PART NUMBER	8609	71	5
PIN OUT			
ROWS a-b-c	3	96	
ROWS a-c	4	64	
NUMBER OF CONTACTS			
TERMINATION			
L = 2.75 ±0.15 (.108)	A = $\varnothing 0.6^{+0.08}$	B = $\varnothing 0.8^{+0.3}$	13
OPTIONS			
no option			7
with harpoons			H
PERFORMANCE CLASS			
DIN 41612 class 3			4
DIN 41612 class 2			5
DIN 41612 class 1			6
TERMINATION TYPE			
TIN LEAD			-485E1
LEAD FREE			-ATLF

SPECIFICATION 485 or ATLF

specific marking : customer part number + date code

GENERAL CHARACTERISTICS and ROHS INFORMATIONS  
SEE DRAWING C-8609-0000A

www.fciconnect.com		surface	ISO 1302	tolerance std	ISO 406 ISO 1101	projection	mm
		TOLERANCES UNLESS OTHERWISE SPECIFIED					
Dr	ROUILLARD	2000/11/20	ANGULAR	0.X	±0.1	size	A3
Eng	ROUILLARD	2000/11/20	LINEAR	0.XX	±0.1	Scale	1.5
Chr	LEGARE	2000/11/20	0.XX ±2	0.XXX	±0.1	ECN	LS07-0211
Appr	LEGARE	2000/11/20	Product family		DIN	Spec ref	-
FCI		RIGHT ANGLE MALE STYLE C		Dr		Rev.	
SOLDER TO BOARD		SEE TABLE		C		C-8609-0849	
catalog no		3		sheet		1 of 1	

European Views

rev	ecn no	dr	date
A	-	ROU	2000/11/20
B	LS07-0130	HLE	2007/06/04
C	LS07-0211	HLE	2007/08/09
-	-	-	-
-	-	-	-
-	-	-	-

