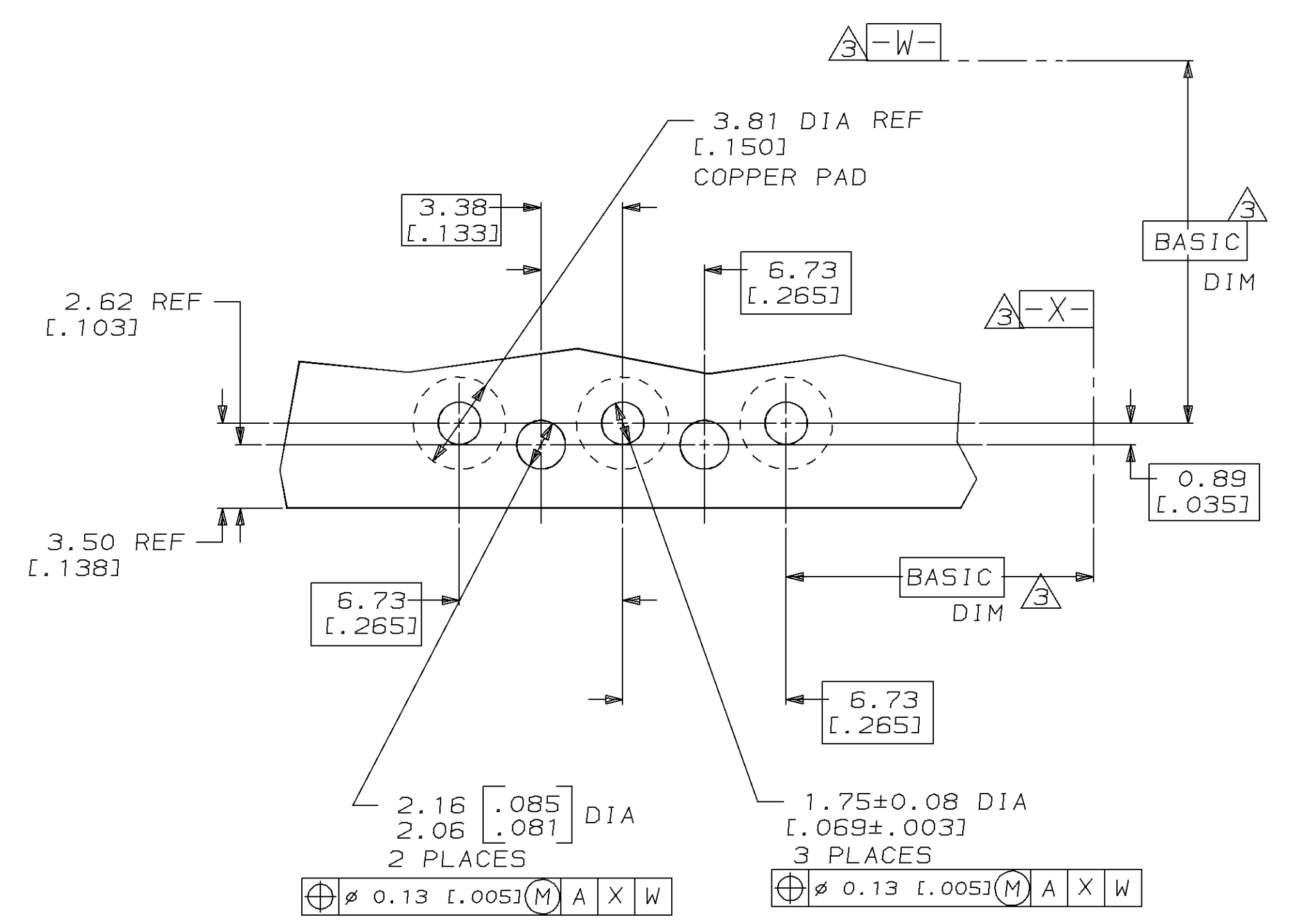
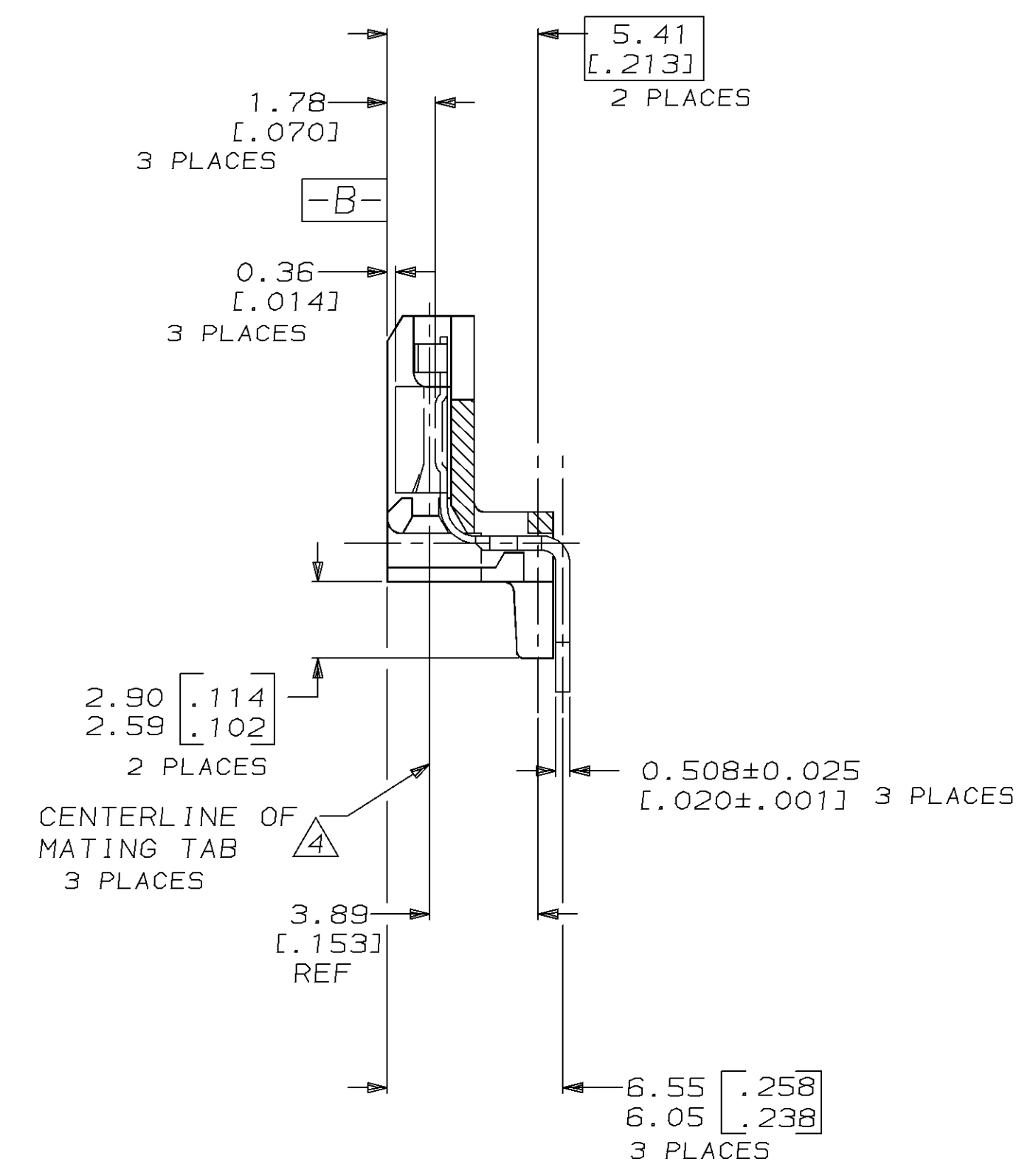
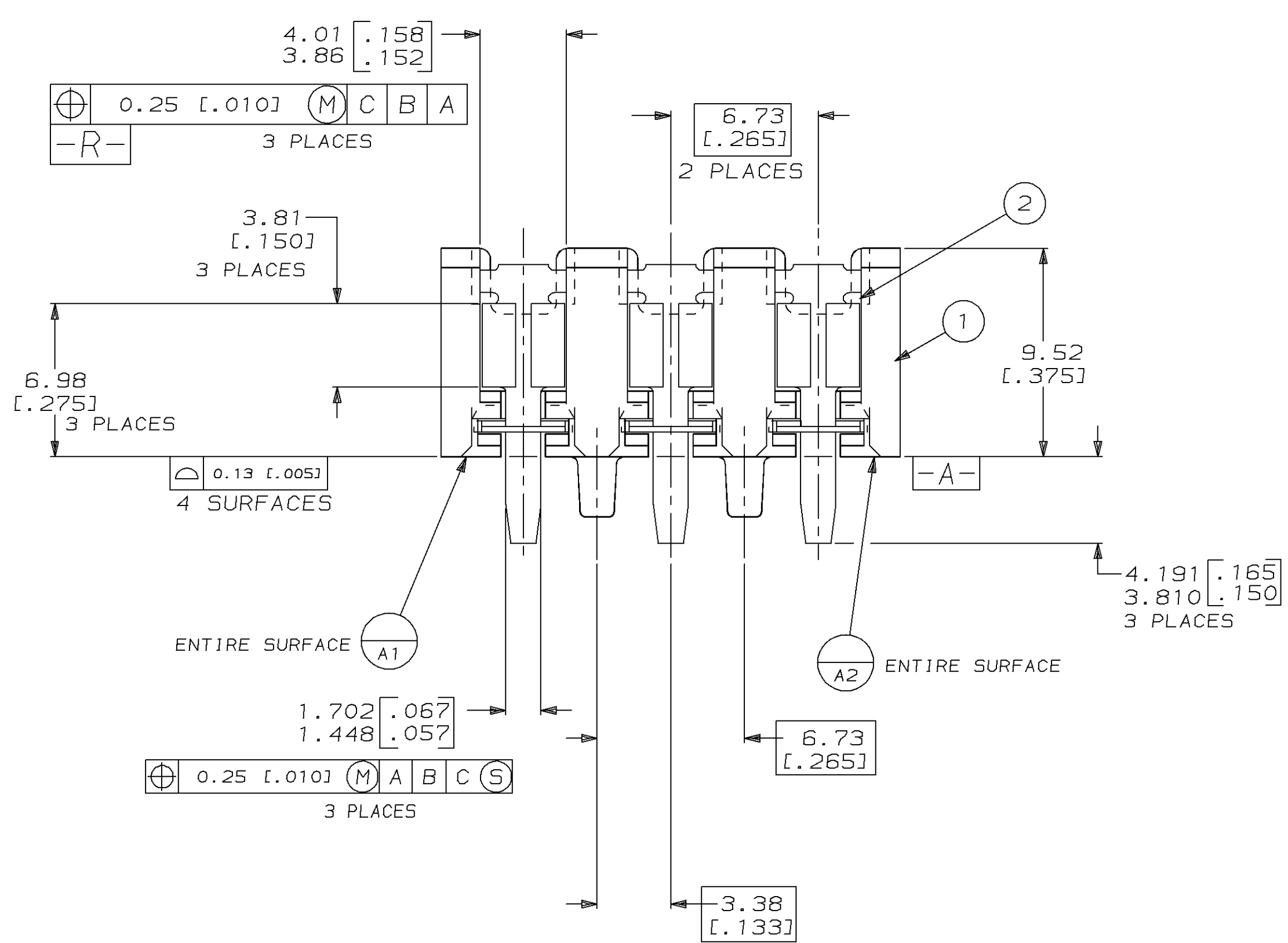
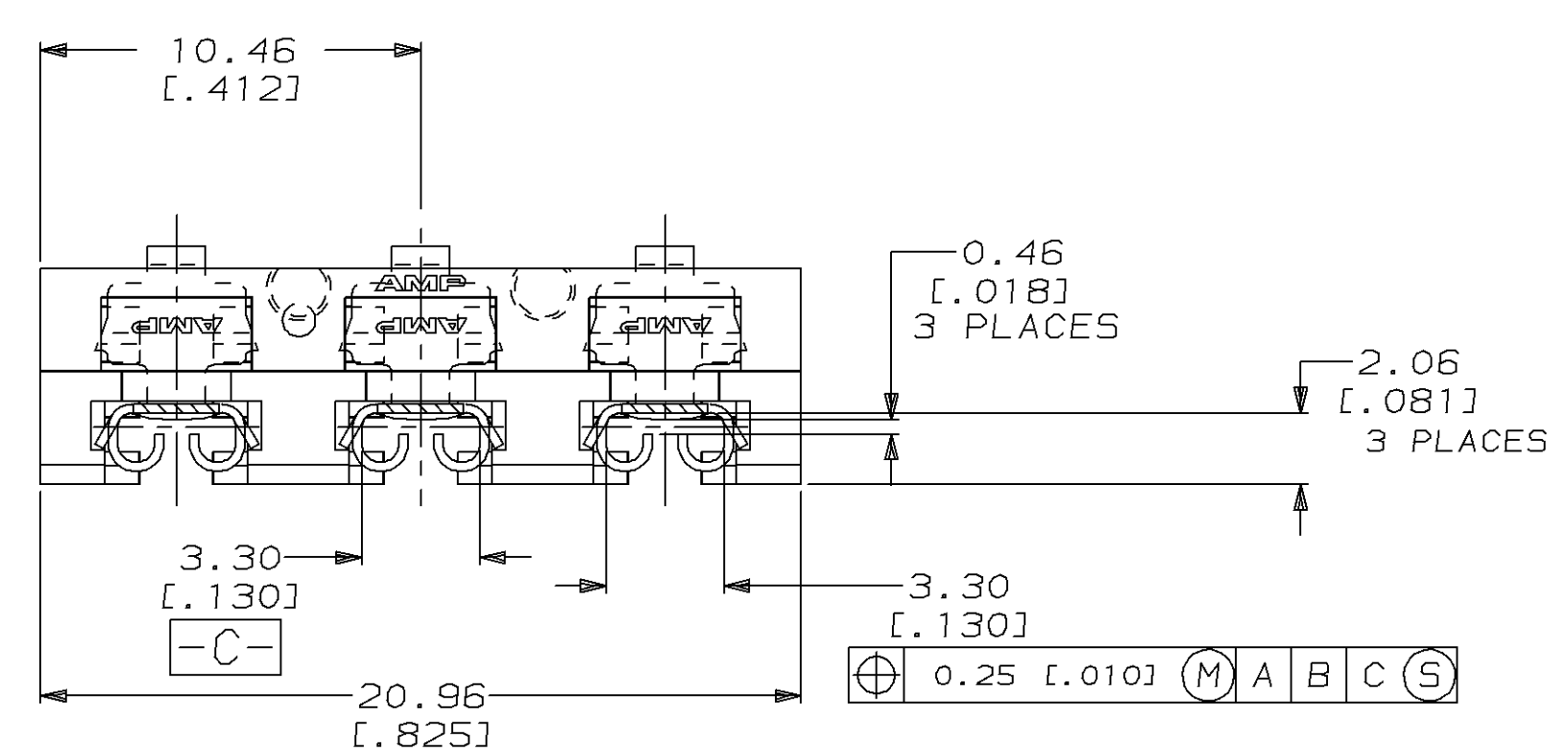
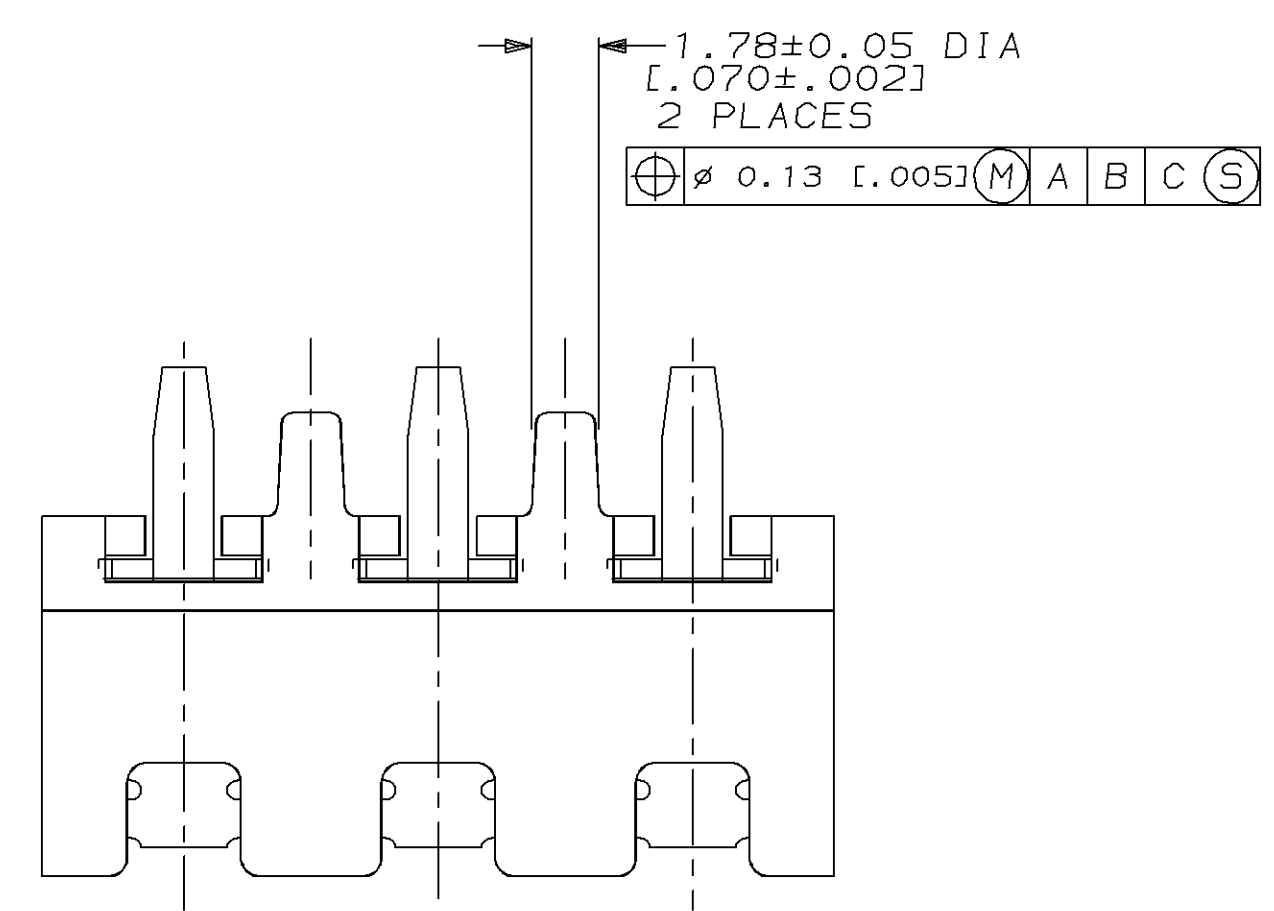


LOC		DIST		P		ZONE		LTR		REVISIONS		
AF	50									DESCRIPTION	DATE	APPD
										6 REV PER 0710-0346-95	01AUG95	MF/NN



RECOMMENDED P.C. BOARD LAYOUT  
 FOR 1.57 [0.062] THICK BOARD  
 TOLERANCES NON-ACCUMULATIVE

1	H04 PRE-MILLED BRASS	3	TAB RECEPTACLE	2	521017-1
BLACK	15% GLASS REINFORCED PBT	1	HEADER HOUSING	1	
FINISH	MATERIAL	QUANTITY	DESCRIPTION	ITEM NO	PART NO
DO NOT SCALE PRINT. UNLESS SPECIFIED DIMENSIONS IN mm [INCHES] TOLERANCES ON:					
2 [3] PLC DEC ± 0.25 [0.010]					
3 [3] PLC DEC ± 0.13 [0.005]					
ANGLES ± 1°					
MATERIAL	SEE TABLE	PRODUCT SPEC	AMP Incorporated Harrisburg, PA 17105-3608		
FINISH	SEE TABLE	APPLICATION SPEC	NAME ASSEMBLY, HEADER, RECEPTACLE, TAB, 2.79 [0.110], P.C. BOARD, 3 POSITION, MAG-MATE™		
SIZE	D	CAGE CODE	00779	DRAWING NO	©-521017
SCALE	5:1	WEIGHT		SHEET	1 OF 1

THIS DRAWING IS A CONTROLLED DOCUMENT FOR AMP INCORPORATED. IT IS SUBJECT TO CHANGE AND THE CONTROLLING ENGINEERING ORGANIZATION SHOULD BE CONTACTED FOR THE LATEST REVISION.