

6

5

4

3

2

1

MATERIAL AND FINISH:

Insulator: Polycarbonate, UL-94V-0 rated
Contacts: IEC C13, 70°C: Brass
IEC C15, 120°C: Bronze

ELECTRICAL SPECIFICATIONS:

Current rating: 10 A
Voltage rating: 250 VAC

ORDERING CODE:

43R01- 1 1
 1 2

1) ELECTRICAL CIRCUIT CONFIGURATION

1 = IEC C13, 10A 250V 70°C
A DIN 49 457

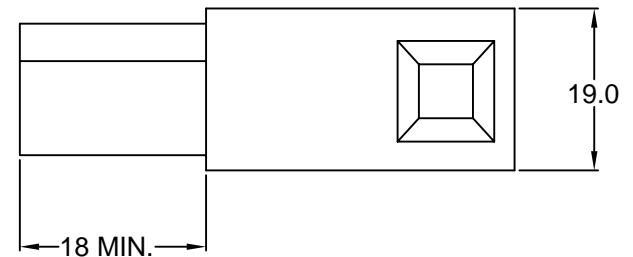
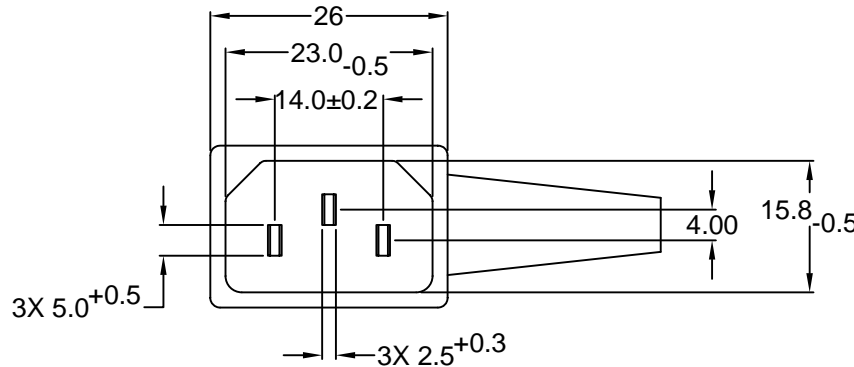
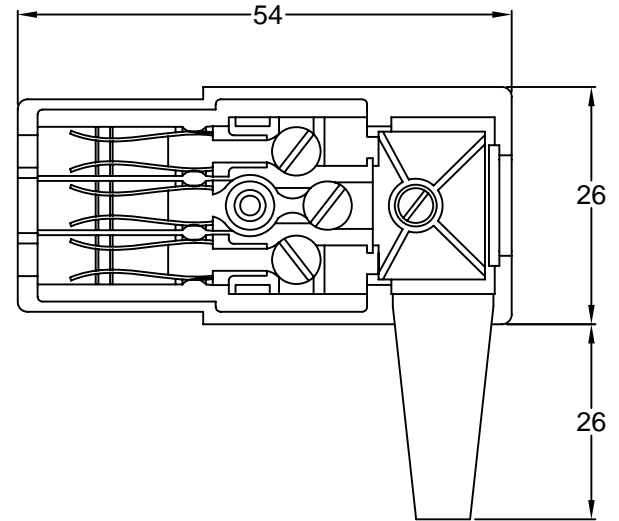


2 = IEC C15, 10A 250V 120°C
D DIN 49 458



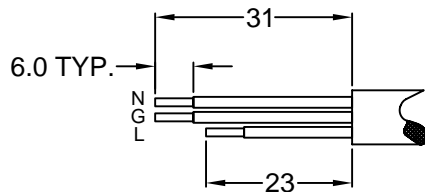
2) COLOR

1 = BLACK
2 = GRAY



NOTES:

1. Contains integral cable clamp strain relief & internal screw type connections. Maximum wire gauge is 16AWG stranded.
2. Recommended screw torque: 1.2Nm
3. Recommended strip length for jacket and conductors:



RoHS COMPLIANT

REV	DATE	CHANGE	CHNG CHECK APPR	
			PB	PB
A	1/25/07	ADD NOTES 2 & 3; RoHS		
B	6/9/10	ADD C15 CONTACT MATERIAL		

TOLERANCE UNLESS OTHERWISE SPECIFIED	
X	± 1
X.X	± 0.4
X.XX	± 0.20
DRAWN BY	GQ
DATE:	08/20/01
CHECK BY	TD
DATE:	08/22/01
APPR BY	PB
DATE:	08/22/01

Power Dynamics, Inc.

Phone: 973 560-0019 Whippany, New Jersey Fax: 973 560-0076

PART: IEC 60320 C13 & C15 FEMALE POWER CORD
PLUG, R/A LEFT HANDED CONNECTION

PART #:	43R01-X1X1	SHEET	1 of 1
SIZE:	A	ALL DIMENSIONS FOR REFERENCE ONLY DIMENSIONS ARE IN MILLIMETERS	REV: B
SCALE:	NTS		