

3-87977-4 ✓ ACTIVE

AMPMODU | AMPMODU IV/V

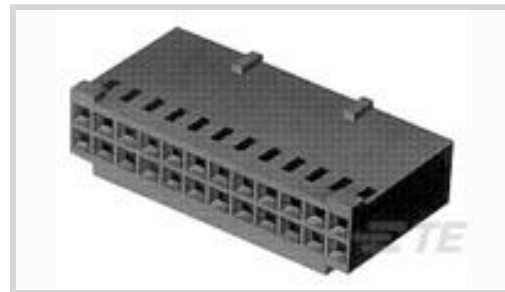
TE Internal #: 3-87977-4

Housing, Receptacle, Wire-to-Board, 18 Position, 2.54 mm [.1 in]
Centerline, Crimp, 2 Row, Black, Mating Retention, Wire & Cable,
Signal, AMPMODU IV/V

[View on TE.com >](#)



Connectors > PCB Connectors > Wire-to-Board Connectors > Wire-to-Board Connector Assemblies & Housings



Connector Product Type: **Housing**

Connector & Housing Type: **Receptacle**

Connector System: **Wire-to-Board**

Number of Positions: **18**

Centerline (Pitch): **2.54 mm [.1 in]**

Features

Product Type Features

| | |
|-----------------------------------|---------------|
| Connector Product Type | Housing |
| Connector & Housing Type | Receptacle |
| Connector System | Wire-to-Board |
| Connector & Contact Terminates To | Wire & Cable |

Configuration Features

| | |
|---------------------|----|
| Number of Positions | 18 |
| Number of Rows | 2 |

Electrical Characteristics

| | |
|---------------------------------------|---------|
| Termination Resistance | 12 mΩ |
| Insulation Resistance | 5000 MΩ |
| Dielectric Withstanding Voltage (Max) | 750 V |
| Operating Voltage | 250 VAC |

Body Features

| | |
|-----------------------|-------|
| Primary Product Color | Black |
|-----------------------|-------|

Contact Features

| | |
|------------------------------|------------------|
| Contact Type | Socket |
| Contact Base Material | Beryllium Copper |
| Contact Current Rating (Max) | 3 A |



Termination Features

| | |
|------------------------------------|-------|
| Termination Method to Wire & Cable | Crimp |
|------------------------------------|-------|

Mechanical Attachment

| | |
|-----------------------|-----------------|
| Strain Relief | Without |
| Mating Retention Type | Detent Latching |
| Mating Retention | With |

Housing Features

| | |
|-----------------------------|------------------|
| Housing Entry Configuration | Both Ends Closed |
| Housing Material | Nylon - GF |
| Centerline (Pitch) | 2.54 mm [.1 in] |

Dimensions

| | |
|--------------------|------------------|
| Connector Length | 22.86 mm [.9 in] |
| Connector Height | 6.1 mm [.24 in] |
| Row-to-Row Spacing | 2.54 mm [.1 in] |

Usage Conditions

| | |
|-----------------------------|-----------------------------|
| Operating Temperature Range | -65 – 105 °C [-85 – 221 °F] |
|-----------------------------|-----------------------------|

Operation/Application

| | |
|---------------------|--------|
| Circuit Application | Signal |
|---------------------|--------|

Industry Standards

| | |
|---|-------------------------------|
| Glow Wire Rating | Standard Part - Not Glow Wire |
| Compatible With Approved Standards Products | CSA LR7189, UL E28476 |
| UL Flammability Rating | UL 94V-0 |

Packaging Features

| | |
|--------------------|---------|
| Packaging Quantity | 1 |
| Packaging Method | Package |

Product Compliance

[For compliance documentation, visit the product page on TE.com>](#)

| | |
|---|---|
| EU RoHS Directive 2011/65/EU | Compliant |
| EU ELV Directive 2000/53/EC | Compliant |
| China RoHS 2 Directive MIIT Order No 32, 2016 | No Restricted Materials Above Threshold |



EU REACH Regulation (EC) No. 1907/2006

Current ECHA Candidate List: JUNE 2024 (241)

Candidate List Declared Against: JUNE 2024 (241)

Does not contain REACH SVHC

Halogen Content

Low Halogen - Br, Cl, F, I < 900 ppm per homogenous material. Also BFR/CFR/PVC Free

Solder Process Capability

Not applicable for solder process capability

Product Compliance Disclaimer

This information is provided based on reasonable inquiry of our suppliers and represents our current actual knowledge based on the information they provided. This information is subject to change. The part numbers that TE has identified as EU RoHS compliant have a maximum concentration of 0.1% by weight in homogenous materials for lead, hexavalent chromium, mercury, PBB, PBDE, DBP, BBP, DEHP, DIBP, and 0.01% for cadmium, or qualify for an exemption to these limits as defined in the Annexes of Directive 2011/65/EU (RoHS2). Finished electrical and electronic equipment products will be CE marked as required by Directive 2011/65/EU. Components may not be CE marked. Additionally, the part numbers that TE has identified as EU ELV compliant have a maximum concentration of 0.1% by weight in homogenous materials for lead, hexavalent chromium, and mercury, and 0.01% for cadmium, or qualify for an exemption to these limits as defined in the Annexes of Directive 2000/53/EC (ELV). Regarding the REACH Regulation, the information TE provides on SVHC in articles for this part number is based on the latest European Chemicals Agency (ECHA) 'Guidance on requirements for substances in articles' posted at this URL: <https://echa.europa.eu/guidance-documents/guidance-on-reach>

Compatible Parts



TE Part # 87666-2
MOD IV RECP PLTD 30 SEL



TE Part # 6-87756-7
MOD IV REC STP INT'L SPEC REEL



TE Part # 87756-6
MOD IV RECP PLTD SN



TE Part # 2-87195-4
MOD IV RECP PLTE 15 DPLX



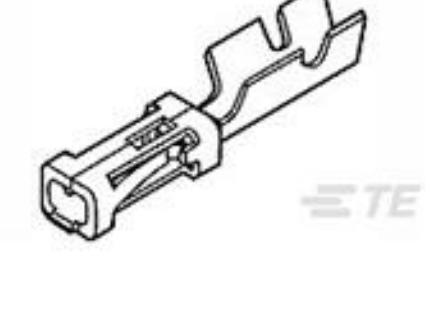
TE Part # 87809-1
MOD V RECP PLTD 30 AU



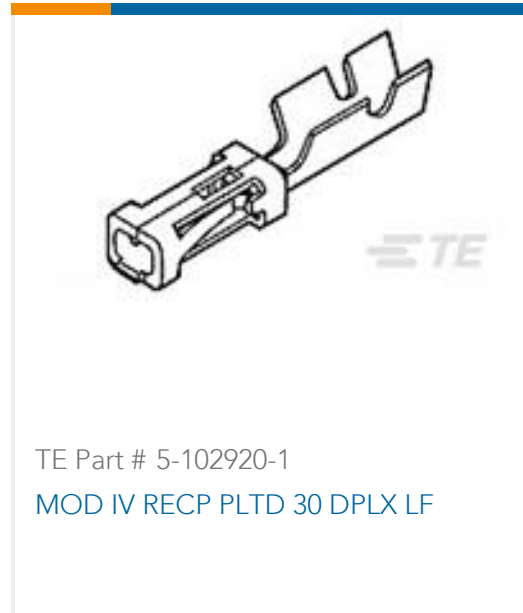
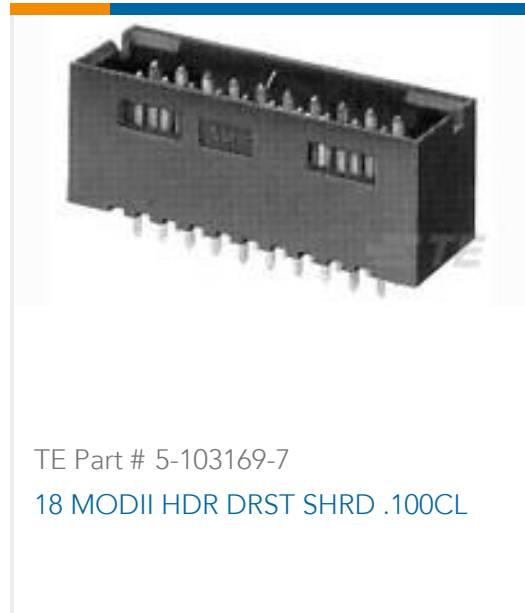
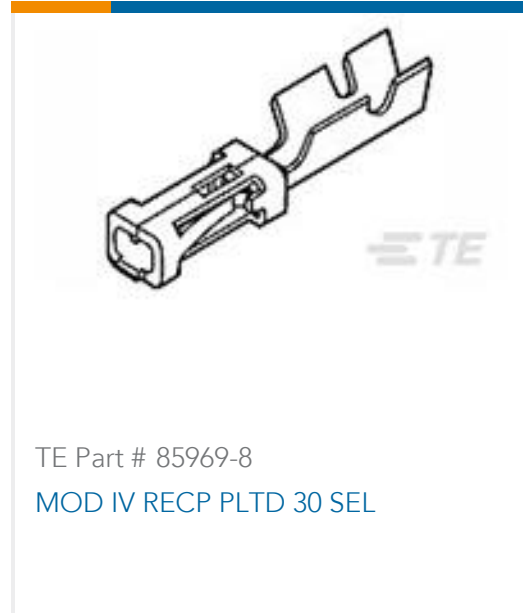
TE Part # 6-87756-2
MOD IV RECP PLTD 15 DPLX LF



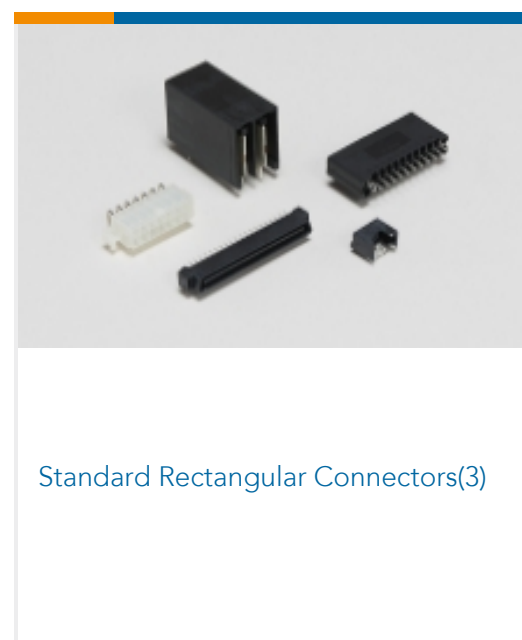
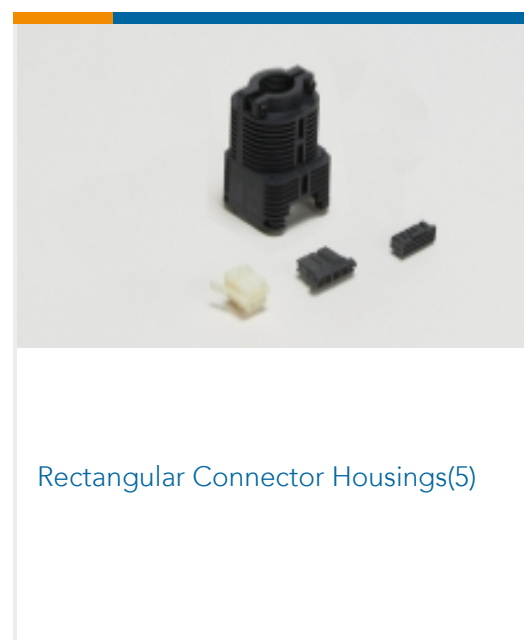
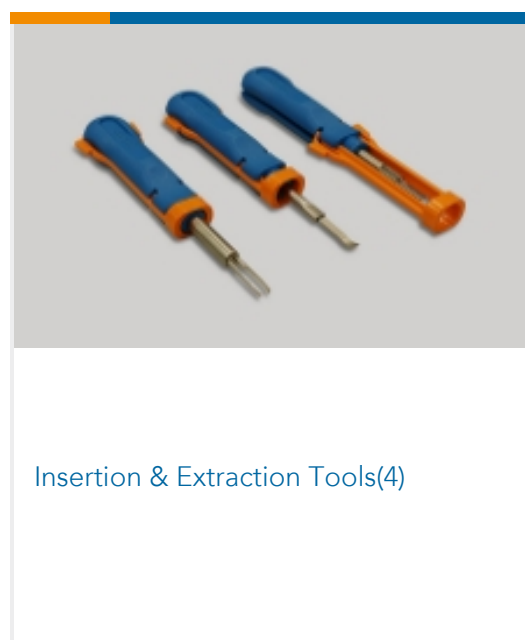
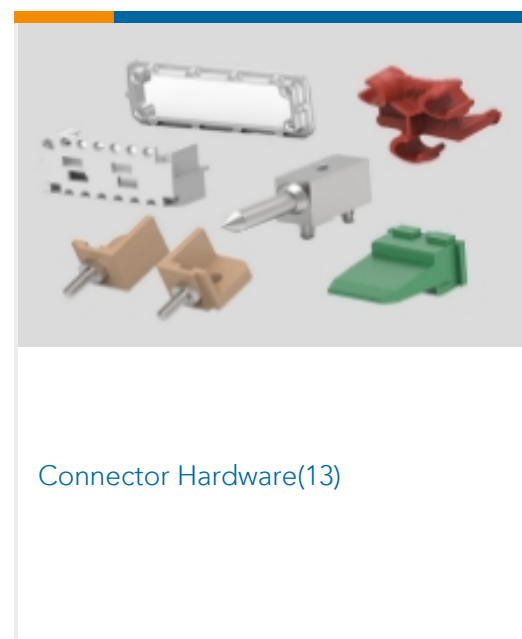
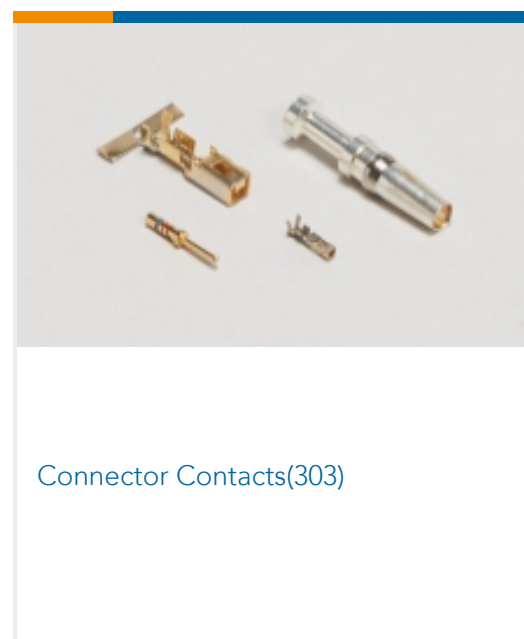
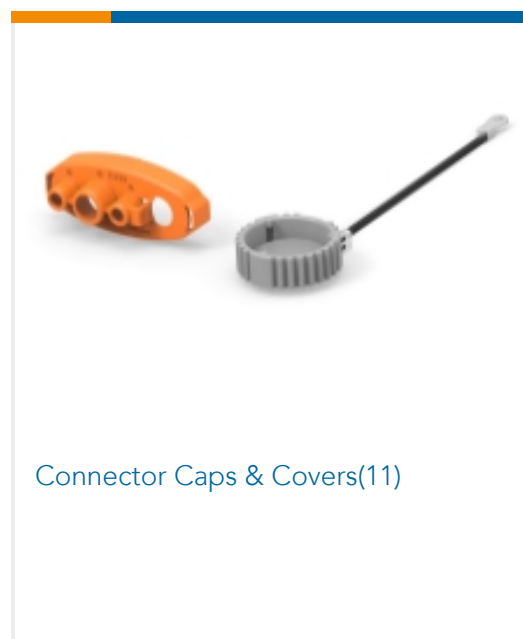
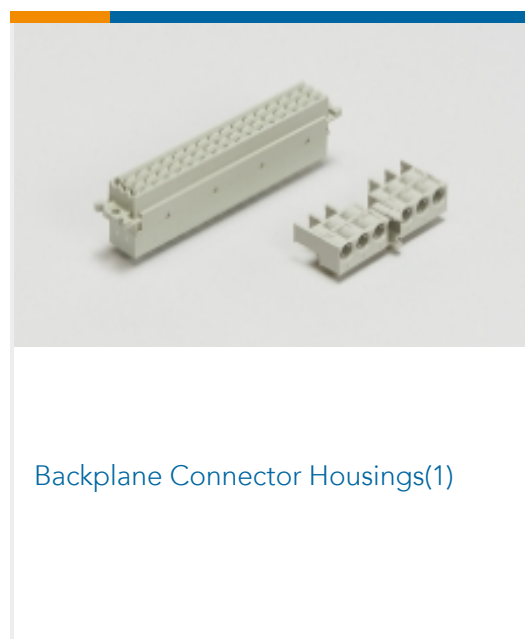
TE Part # 87309-9
MOD V RECP PLTD 30 AU

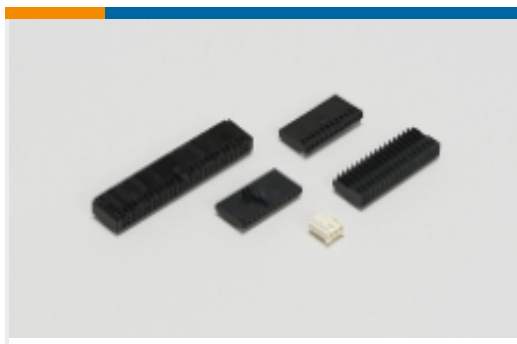


TE Part # 102917-5
MOD IV RECP PLTD 15 SEL



Also in the Series | AMPMODU IV/V





Wire-to-Board Connector Assemblies & Housings(417)

Customers Also Bought

TE Part #5-103414-3
05 MODII HDR SRST SHRD LFTE Part #5-104068-5
50 SYSTEM 50 HDR DRST SHRDTE Part #102241-3
05 MODIV HSG COMP SR .100 POLTE Part #2-36161-4
TERMINAL,PIDG R IR 10 10TE Part #2-327956-1
PIDG Rectangular Tongue TerminalsTE Part #2560-220-2031
CONT PINTE Part #2-1618382-5
JPS10-1Y = M28750/10-001YTE Part #434555-E
FRAEZT 11,6 TE * 172 * J 1 434555
FUEHRU

Documents

CAD Files

3D PDF

English

Customer View Model

[ENG_CVM_3-87977-4_S.2d_dxf.zip](#)

English

Customer View Model

[ENG_CVM_3-87977-4_S.3d_igs.zip](#)

English

Customer View Model

[ENG_CVM_3-87977-4_S.3d_stp.zip](#)

English

By downloading the CAD file I accept and agree to the [Terms and Conditions](#) of use.

Datasheets & Catalog Pages

[AMPMODU_INTERCONNECTION_SYSTEM_SECTION5_CONT](#)

English



Product Specifications

Product Specification

English

Agency Approvals

UL

English