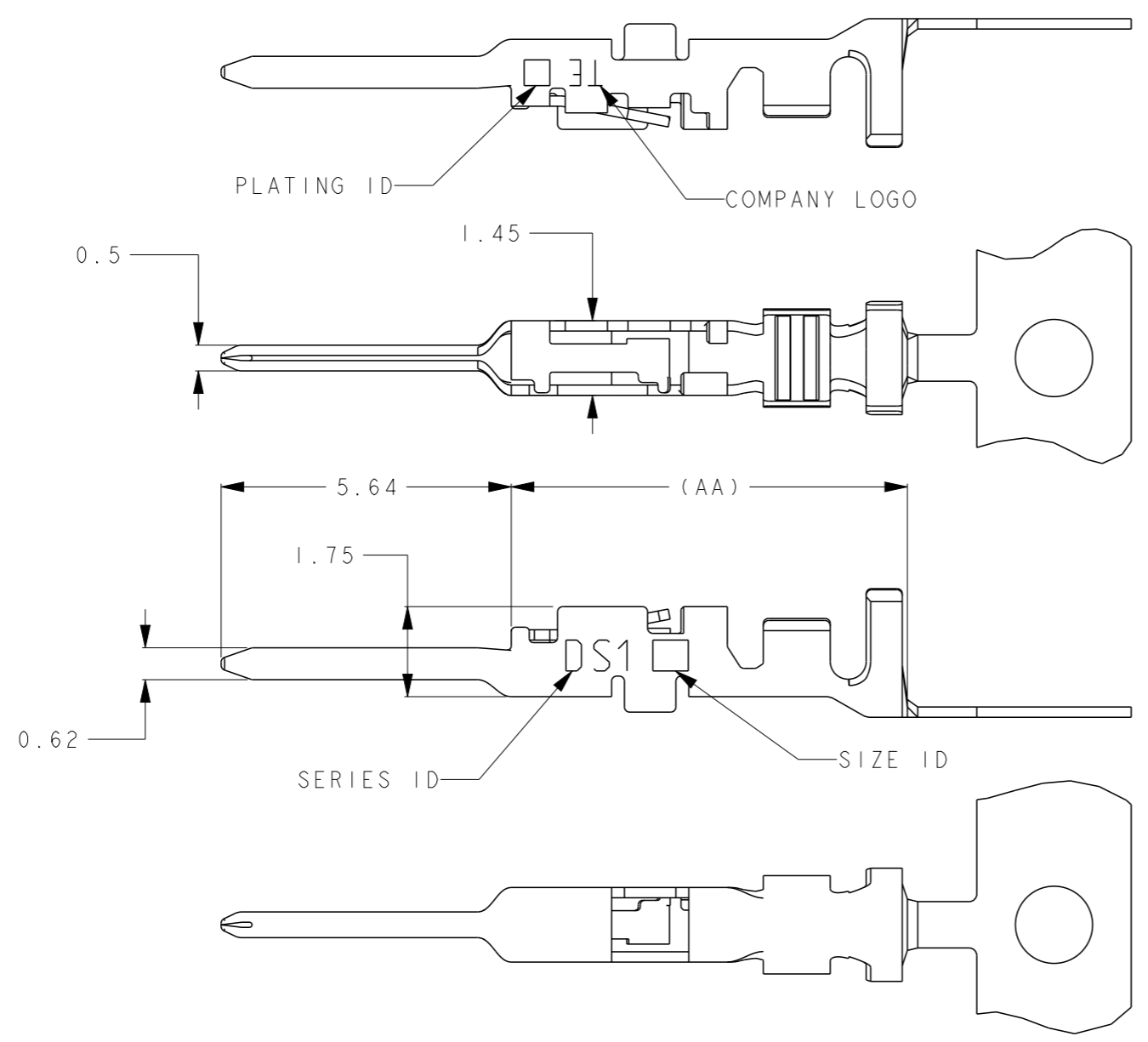


THIS DRAWING IS UNPUBLISHED. RELEASED FOR PUBLICATION 20
 © COPYRIGHT 20 BY - ALL RIGHTS RESERVED.

REVISIONS					
P	LTR	DESCRIPTION	DATE	DWN	APVD
	A	RELEASED	23MAR2021	Y.O	E.I
	B	REVISED	08MAR2023	H.O	T.S



1. TECHNICAL CHARACTERISTICS:
 CONTACT MATERIAL: Cu ALLOY
 SURFACE PLATING: GOLD PLATING

7.7	0.1g	M	3	1.08-1.6	AWG28-22, 0.08-0.37SQmm	M SIZE, GOLD 0.76μm	2-2367819-2
7.7	0.1g	M	1	1.08-1.6	AWG28-22, 0.08-0.37SQmm	M SIZE, GOLD 0.2μm	2367819-2
7.7	0.1g	S	1	0.6-1.2	AWG30-28, 0.05-0.1SQmm	S SIZE, GOLD 0.2μm	2367819-1
DIMENSION AA	NET WEIGHT	SIZE ID	PLATING ID	INSUL. RANGE	WIRE RANGE	DESCRIPTION	PART NO

THIS DRAWING IS A CONTROLLED DOCUMENT.

DIMENSIONS:		TOLERANCES UNLESS OTHERWISE SPECIFIED:	
mm		0 PLC	±0.5
		1 PLC	±0.5
		2 PLC	±0.5
		3 PLC	±0.5
		4 PLC	±0.5
MATERIAL		ANGLES	±3°
		FINISH	-
			-

DWN	Y. OKADA	13APR2020
CHK	T. SHIMOYASU	13APR2020
APVD	E. IKEMATSU	13APR2020
PRODUCT SPEC	108-140257	
APPLICATION SPEC	114-5377	
WEIGHT	-	
CUSTOMER DRAWING		

STE TE Connectivity

NAME: TAB CONTACT, D1000 SLIM, DYNAMIC

SIZE	CAGE CODE	DRAWING NO	RESTRICTED TO
A3	-	©-2367819	-

SCALE: 8:1 SHEET: 1 OF 1 REV: B