

Box Header & IDC Connector WR-BHD

05





Box Header & IDC Connector WR-BHD

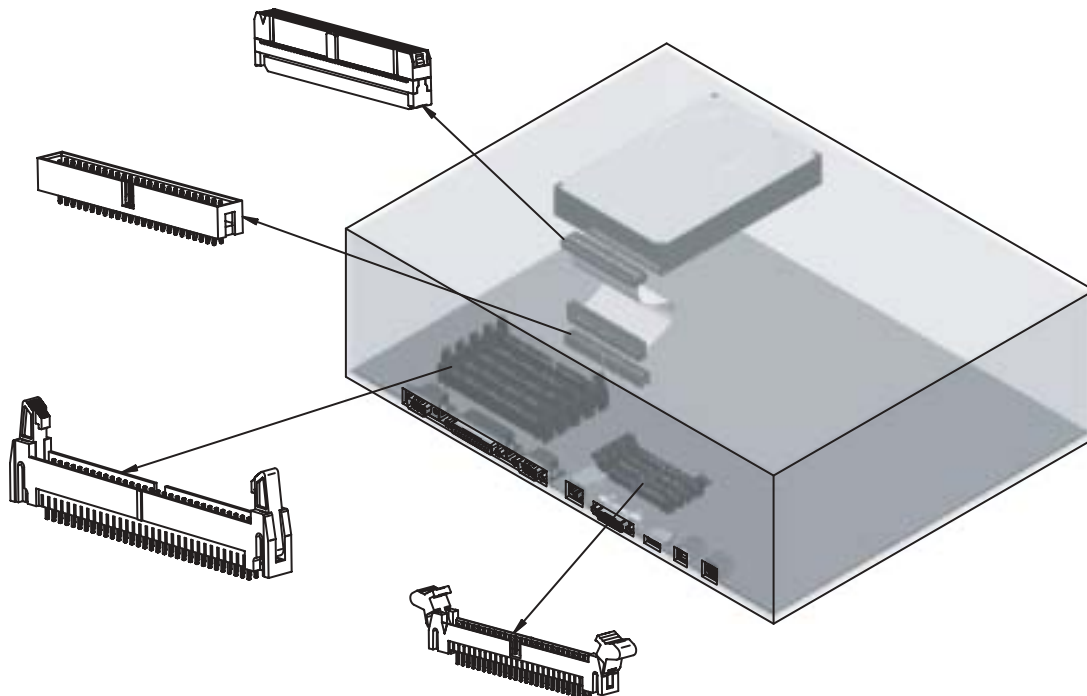
Box header and IDC flat cable connectors are two of the most famous type of connector in the world, they can be found in nearly all electronic equipments.

This IDC product technology allows cost effective connections between circuit boards based on permanent connection (using transition connector) or removable connection (using IDC flat cable connectors)

Würth Elektronik offers a wide family range in 2,54 & 2,0mm pitch, with a lot of options and pin number available.

The Würth Elektronik WR-BHD are produced according to DIN 41615 standard.

Insulation Displacement Connector: An insulated wire is pressed into a terminal slot smaller than the conductor diameter, displacing the insulation to make electrical contact. Insulation doesn't have to be removed, this is the major advantage of this termination method.








Performance level 3
Performance level 2 as per CECC 75 301-802
Performance level 1 as per CECC 75 301-802

50 mating cycles, no gaz test
250 mating cycles, 4 days 4 mixed gaz test - IEC 60 512
500 mating cycles, 10 days 4 mixed gaz test - IEC 60 512



Box Header & IDC Connector WR-BHD

	2.54 mm Box Header	05-5 to 05-11
	2.54 mm IDC & Transition Connector	05-12 to 05-15
	2.00 mm Box Header	05-16 to 05-21
	2.00 mm IDC & Transition Connector	05-22 & 05-23
	IDC Press	05-24

NEW



Box Header & IDC Connector WR-BHD

Pitch	PCB/Cable	Gender	Dimensions	Construction	Plastic	Type	Order Code	Page
Pitch 2,54 mm	PCB	Male	Low profile	THT	Wave soldering only	Straight	612 0xx 216 21	05-5
			Low profile	THT	Wave soldering only	Right angle	612 0xx 217 21	05-6
			Low profile	THT	Reflow soldering	Straight	612 0xx 235 121	05-7
			Low profile	THT	Reflow soldering	Right angle	612 0xx 235 221	05-8
			Low profile	SMT	Reflow soldering	Straight	612 xxx 206 21	05-9
			With locking lever	THT	Wave soldering only	Straight	612 0xx 220 21 & 228 21	05-10
			With locking lever	THT	Wave soldering only	Right angle	612 0xx 221 21 & 229 21	05-11
	IDC for cable	Female	With strain relief				612 0xx 230 21	05-12
		Male	Without ears				612 0xx 258 21	05-13
			With ears				612 0xx 259 21	05-14
	Transition					612 0xx 223 23	05-15	
Pitch 2,00 mm	PCB	Male	Low profile	THT	Wave soldering only	Straight	625 0xx 216 21	05-16
			Low profile	SMT	Reflow soldering	Straight	625 3xx 206 21	05-17
			Low profile	THT	Wave soldering only	Right angle	625 0xx 217 21	05-18
			With locking lever	THT	Wave soldering only	Straight	625 0xx 220 21	05-19
			With locking lever	THT	Wave soldering only	Right angle	625 0xx 221 621	05-20
			With locking lever	SMT	Reflow soldering	Straight	625 0xx 230 621	05-21
	IDC for cable	Female	With strain relief				625 0xx 230 21	05-22
		Transition					625 0xx 223 23	05-23
Tool	IDC Press & Dies						600 612 282 800	05-24

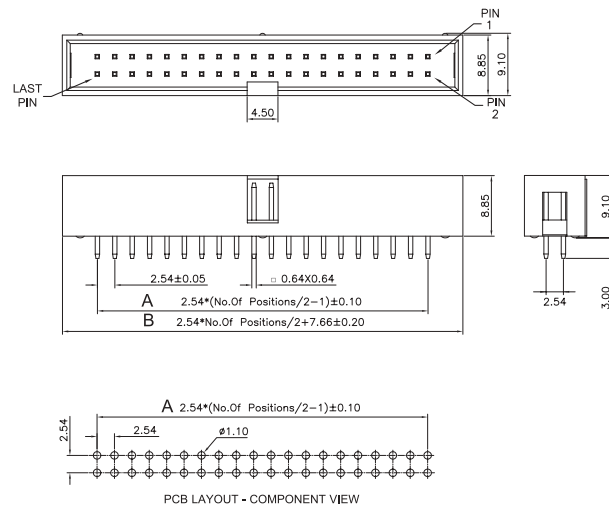
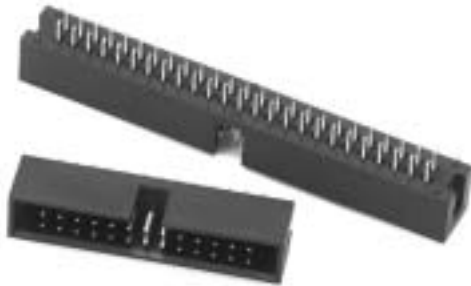
NEW

NEW

05



2.54mm Male Box Header WR-BHD



05



MATERIAL

- Insulator: PBT
- Flamability rating: UL94-V0
- Colour: Black
- Contact material: Copper alloy
- Contact type: Stamped
- Contact plating: Gold
- Quality class: 3 as per IEC 60 603-13
- Pitch: 2.54 mm

ENVIRONMENTAL

- Operating temperature: -40 °C up to 125 °C
- Compliance: Lead free and RoHS

ELECTRICAL

- Current rating: 3 A max
- Working voltage: 250 VAC
- Insulation resistance: >1000 MOhm
- Dielectric withstanding voltage: 500 Vac/mn
- Contact resistance: 20 mOhm max

SOLDERING

- Solder temperature: JEDEC lead free wave soldering

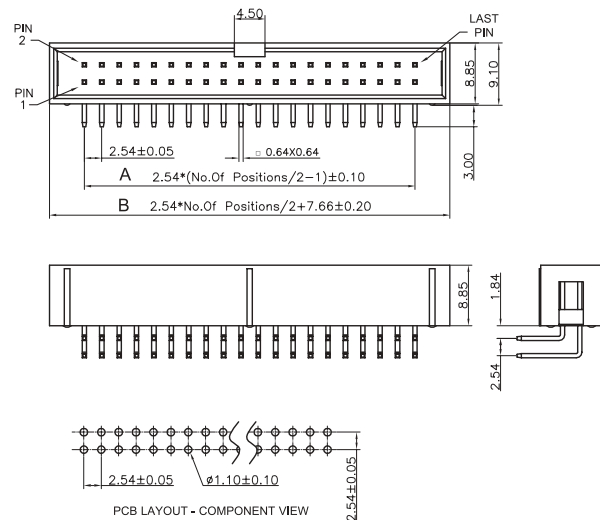
PACKAGING

- Tray

Order Code	Pins	A (mm)	B (mm)
612 006 216 21	6	5.08	15.28
612 008 216 21	8	7.62	17.82
612 010 216 21	10	10.16	20.36
612 014 216 21	14	15.24	25.44
612 016 216 21	16	17.78	27.98
612 020 216 21	20	22.86	33.06
612 024 216 21	24	27.94	38.14
612 026 216 21	26	30.48	40.68
612 034 216 21	34	40.64	50.84
612 039 216 21	39	48.26	58.46
612 040 216 21	40	48.26	58.46
612 050 216 21	50	60.96	71.16
612 060 216 21	60	73.66	83.86



2.54mm Male Angled Box Header WR-BHD



05



MATERIAL

- Insulator: PBT
- Flamability rating: UL94-V0
- Colour: Black
- Contact material: Copper alloy
- Contact type: Stamped
- Contact plating: Gold
- Quality class: 3 as per IEC 60 603-13
- Pitch: 2.54 mm

ENVIRONMENTAL

- Operating temperature: -40 °C up to 125 °C
- Compliance: Lead free and RoHS

ELECTRICAL

- Current rating: 3 A max
- Working voltage: 250 VAC
- Insulation resistance: >1000 MOhm
- Dielectric withstanding voltage: 500 Vac/mn
- Contact resistance: 20 mOhm max

SOLDERING

- Solder temperature: JEDEC lead free wave soldering

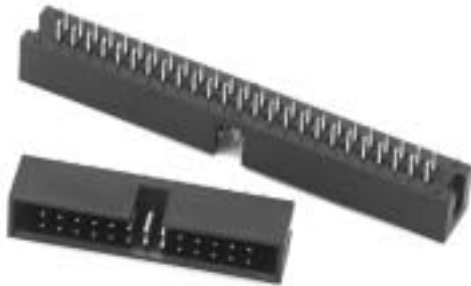
PACKAGING

- Tray

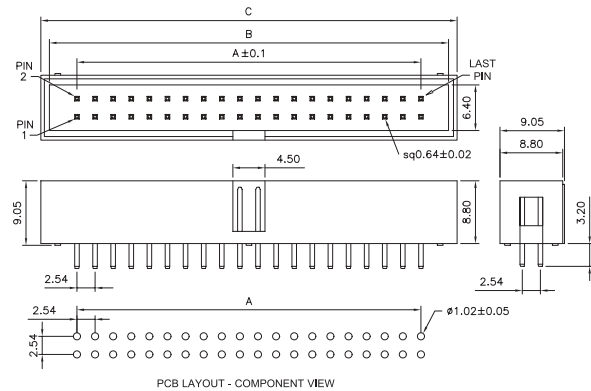
Order Code	Pins	A (mm)	B (mm)
612 006 217 21	6	5.08	15.28
612 008 217 21	8	7.62	17.82
612 010 217 21	10	10.16	20.36
612 014 217 21	14	15.24	25.44
612 016 217 21	16	17.78	27.98
612 020 217 21	20	22.86	33.06
612 024 217 21	24	27.94	38.14
612 026 217 21	26	30.48	40.68
612 034 217 21	34	40.64	50.84
612 040 217 21	40	48.26	58.46
612 050 217 21	50	60.96	71.16
612 060 217 21	60	73.66	83.86



2.54mm Male Box Header High Temperature WR-BHD



HIGH TEMPERATURE



05



MATERIAL

- Insulator: PA6T
- Flamability rating: UL94-V0
- Colour: Black
- Contact material: Copper alloy
- Contact type: Stamped
- Contact plating: Gold
- Quality class: 3 as per IEC 60 603-13
- Pitch: 2.54 mm

ENVIRONMENTAL

- Operating temperature: -40 °C up to 125 °C
- Compliance: Lead free and RoHS

ELECTRICAL

- Current rating: 3 A max
- Working voltage: 250 VAC
- Insulation resistance: >1000 MOhm
- Dielectric withstanding voltage: 500 Vac/mn
- Contact resistance: 20 mOhm max

SOLDERING

- Solder temperature: JEDEC lead free wave & reflow soldering

PACKAGING

- Tray

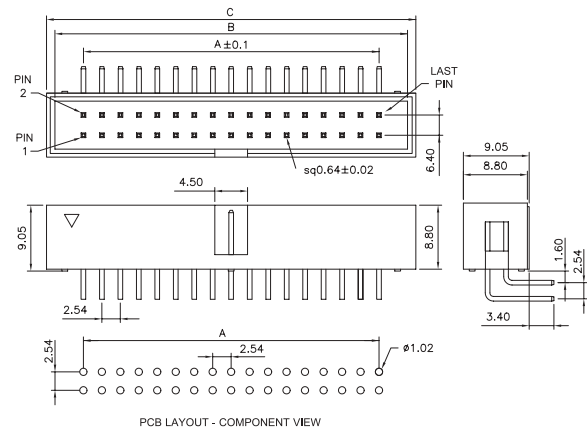
Order Code	Pins	A (mm)	B (mm)	C (mm)
612 006 235 121	6	5.08	12.94	15.28
612 008 235 121	8	7.62	15.48	17.78
612 010 235 121	10	10.16	18.11	20.30
612 014 235 121	14	15.24	23.58	25.58
612 016 235 121	16	17.78	28.00	28.00
612 020 235 121	20	22.86	31.20	33.20
612 026 235 121	26	30.48	38.81	40.82
612 034 235 121	34	40.64	46.34	50.98
612 040 235 121	40	48.26	56.60	58.60
612 050 235 121	50	60.96	69.30	71.30



2.54mm Male Angled Box Header High Temperature WR-BHD



HIGH TEMPERATURE



05



MATERIAL

- Insulator: PA6T
- Flamability rating: UL94-V0
- Colour: Black
- Contact material: Copper alloy
- Contact type: Stamped
- Contact plating: Gold
- Quality class: 3 as per IEC 60 603-13
- Pitch: 2.54 mm

ENVIRONMENTAL

- Operating temperature: $-40\text{ }^{\circ}\text{C}$ up to $125\text{ }^{\circ}\text{C}$
- Compliance: Lead free and RoHS

ELECTRICAL

- Current rating: 3 A max
- Working voltage: 250 VAC
- Insulation resistance: $>1000\text{ MOhm}$
- Dielectric withstanding voltage: 500 Vac/mn
- Contact resistance: 20 mOhm max

SOLDERING

- Solder temperature: JEDEC lead free wave & reflow soldering

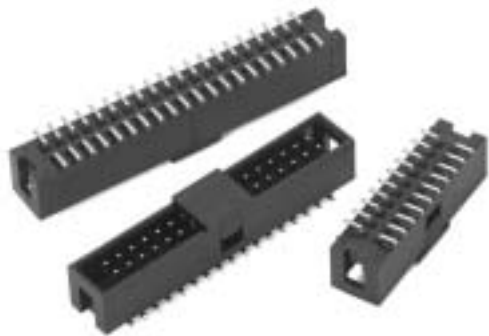
PACKAGING

- Tray

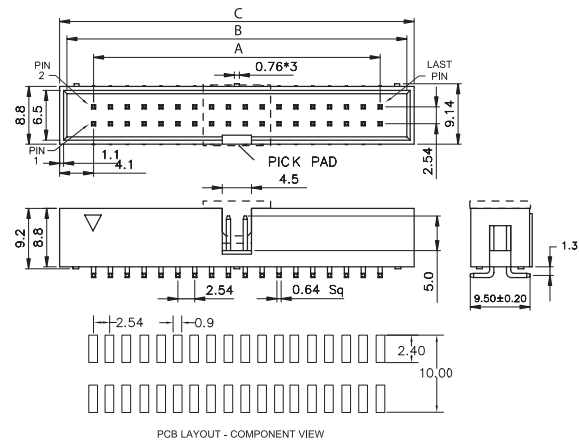
Order Code	Pins	A (mm)	B (mm)	C (mm)
612 006 235 221	6	5.08	12.94	15.28
612 008 235 221	8	7.62	15.48	17.78
612 010 235 221	10	10.16	18.11	20.30
612 014 235 221	14	15.24	23.58	25.58
612 016 235 221	16	17.78	28.00	28.00
612 020 235 221	20	22.86	31.20	33.20
612 026 235 221	26	30.48	38.81	40.82
612 034 235 221	34	40.64	46.34	50.98
612 040 235 221	40	48.26	56.60	58.60
612 050 235 221	50	60.96	69.30	71.30



2.54mm Male SMT Box Header High Temperature WR-BHD



HIGH TEMPERATURE
WITH OR WITHOUT CAP



05



MATERIAL

- Insulator: PA6T
- Flamability rating: UL94-V0
- Colour: Black
- Contact material: Copper alloy
- Contact type: Stamped
- Contact plating: Gold
- Quality class: 3 as per IEC 60 603-13
- Pitch: 2.54 mm

ENVIRONMENTAL

- Operating temperature: -40 °C up to 125 °C
- Compliance: Lead free and RoHS

ELECTRICAL

- Current rating: 3 A max
- Working voltage: 250 V
- Insulation resistance: >1000 MOhm
- Dielectric withstanding voltage: 500 Vac/mn
- Contact resistance: 20 mOhm max

SOLDERING

- Solder temperature: JEDEC lead free reflow soldering

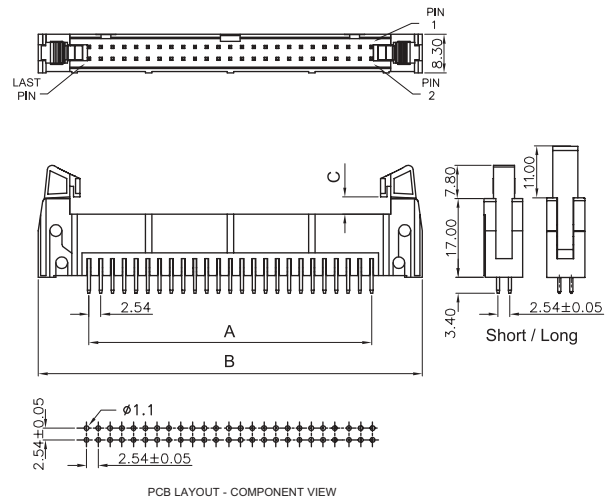
PACKAGING

- Tube without pad or Tape & Reel with pad

Order Code	Pins	Packaging	A (mm)	B (mm)	C (mm)
612 008 206 21	8	Tube (no Pad)	7.72	15.48	17.78
612 x10 206 21	10	x = 0 : Tube x = 3 : Tape & Reel with pad; 250 pcs/Reel	10.16	18.11	20.30
612 x14 206 21	14		15.24	23.58	25.58
612 x16 206 21	16		17.78	28.00	28.00
612 x20 206 21	20		22.86	31.20	33.20
612 024 206 21	24	Tube (no Pad)	27.94	36.27	38.28
612 x26 206 21	26	x = 0 : Tube x = 3 : Tape & Reel with pad; 250 pcs/Reel	30.48	38.81	40.82
612 x34 206 21	34		40.64	46.43	50.98
612 x40 206 21	40		48.26	56.60	58.60
612 x50 206 21	50		60.96	69.30	71.30
612 060 206 21	60	Tube (no Pad)	73.66	82.00	84.00



2.54mm Male Box Header with Lever WR-BHD



05



MATERIAL

- Insulator: PBT
- Flamability rating: UL94-V0
- Colour: Black
- Contact material: Copper alloy
- Contact type: Stamped
- Contact plating: Gold
- Quality class: 3 as per IEC 60 603-13
- Pitch: 2.54 mm

ENVIRONMENTAL

- Operating temperature: -40 °C up to 125 °C
- Compliance: Lead free and RoHS

ELECTRICAL

- Current rating: 3 A max
- Working voltage: 250 VAC
- Insulation resistance: >1000 MOhm
- Dielectric withstanding voltage: 500 Vac/mn
- Contact resistance: 20 mOhm max

SOLDERING

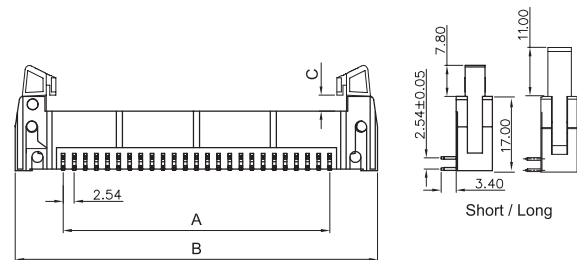
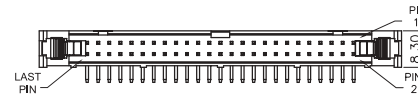
- Solder temperature: JEDEC lead free wave soldering

PACKAGING

- Tray

Order Code	Pins	Locking lever type	A (mm)	B (mm)	c (mm)
612 010 220 21	10	short	10.16	32.20	3.80
612 014 220 21	14		15.24	37.28	
612 016 220 21	16		17.78	39.82	
612 020 220 21	20		22.86	44.90	
612 024 220 21	24		27.94	49.98	
612 026 220 21	26		30.48	52.52	
612 034 220 21	34		40.64	62.68	
612 040 220 21	40		48.26	70.30	
612 050 220 21	50		60.96	83.00	
612 060 220 21	60		73.66	95.70	
612 010 228 21	10	long	10.16	32.20	7.79
612 014 228 21	14		15.24	37.28	
612 016 228 21	16		17.78	39.82	
612 020 228 21	20		22.86	44.90	
612 024 228 21	24		27.94	49.98	
612 026 228 21	26		30.48	52.52	
612 034 228 21	34		40.64	62.68	
612 040 228 21	40		48.26	70.30	
612 050 228 21	50		60.96	83.00	
612 060 228 21	60		73.66	95.70	
612 064 228 21	64		78.74	100.78	

2.54mm Male Angled Box Header with Lever WR-BHD



MATERIAL

- Insulator: PBT
- Flamability rating: UL94-V0
- Colour: Black
- Contact material: Copper alloy
- Contact type: Stamped
- Contact plating: Gold
- Quality class: 3 as per IEC 60 603-13
- Pitch: 2.54 mm

ENVIRONMENTAL

- Operating temperature: -40 °C up to 125 °C
- Compliance: Lead free and RoHS

ELECTRICAL

- Current rating: 3 A max
- Working voltage: 250 VAC
- Insulation resistance: >1000 MOhm
- Dielectric withstanding voltage: 500 Vac/mn
- Contact resistance: 20 mOhm max

SOLDERING

- Solder temperature: JEDEC lead free wave soldering

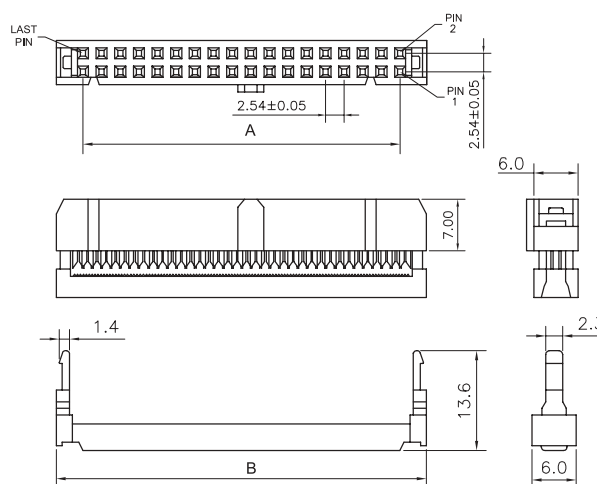
PACKAGING

- Tray

05

Order Code	Pins	Locking lever type	A (mm)	B (mm)	c (mm)
612 010 221 21	10	short	10.16	32.20	3.80
612 014 221 21	14		15.24	37.28	
612 016 221 21	16		17.78	39.82	
612 020 221 21	20		22.86	44.90	
612 024 221 21	24		27.94	49.98	
612 026 221 21	26		30.48	52.52	
612 034 221 21	34		40.64	62.68	
612 040 221 21	40		48.26	70.30	
612 050 221 21	50		60.96	83.00	
612 060 221 21	60		73.66	95.70	
612 010 229 21	10	long	10.16	32.20	7.79
612 014 229 21	14		15.24	37.28	
612 016 229 21	16		17.78	39.82	
612 020 229 21	20		22.86	44.90	
612 024 229 21	24		27.94	49.98	
612 026 229 21	26		30.48	52.52	
612 034 229 21	34		40.64	62.68	
612 040 229 21	40		48.26	70.30	
612 050 229 21	50		60.96	83.00	
612 060 229 21	60		73.66	95.70	

2.54mm Female IDC Connector with Strain Relief* WR-BHD



05



MATERIAL

- Insulator: PBT
- Flamability rating: UL94-V0
- Colour: Black
- Contact material: Copper alloy
- Contact type: Stamped
- Contact plating: Selective gold
- Quality class: 3 as per IEC 60 603-13
- Pitch: 2.54 mm

ENVIRONMENTAL

- Operating temperature: -40 °C up to 125 °C
- Compliance: Lead free and RoHS

ELECTRICAL

- Current rating: 1 A max
- Working voltage: 250 VAC
- Insulation resistance: >1000 MOhm
- Dielectric withstanding voltage: 500 Vac/mn
- Contact resistance: 20 mOhm max

PACKAGING

- Tray + bag*

Strain relief is always delivered separately for optional use

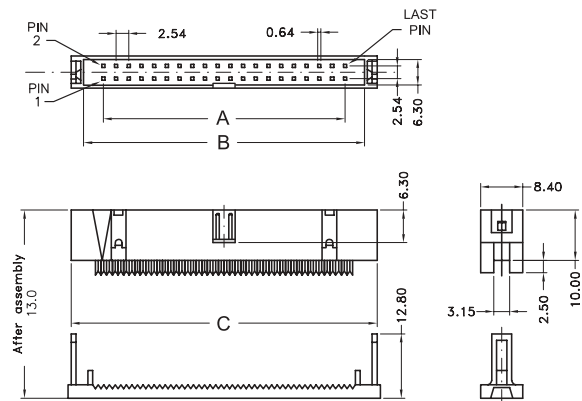
For suitable cable, please see chapter 06

Crimping tool see page 05-24

Order Code	Pins	A (mm)	B (mm)
612 006 230 21	6	5.08	12.30
612 008 230 21	8	7.62	14.84
612 010 230 21	10	10.16	17.38
612 014 230 21	14	15.24	22.46
612 016 230 21	16	17.78	25.00
612 020 230 21	20	22.86	30.08
612 024 230 21	24	27.94	35.16
612 026 230 21	26	30.48	37.70
612 034 230 21	34	40.64	47.86
612 040 230 21	40	48.26	55.48
612 050 230 21	50	60.96	68.18
612 060 230 21	60	73.66	80.88
612 064 230 21	64	78.74	85.96



2.54mm Male IDC Connector WR-BHD



05



MATERIAL

- Insulator: PBT
- Flamability rating: UL94-V0
- Colour: Grey
- Contact material: Copper alloy
- Contact type: Stamped
- Contact plating: Selective gold
- Quality class: 3 as per IEC 60 603-13
- Pitch: 2.54 mm

ENVIRONMENTAL

- Operating temperature: -40 °C up to 125 °C
- Compliance: Lead free and RoHS

ELECTRICAL

- Current rating: 1 A max
- Working voltage: 250 VAC
- Insulation resistance: >1000 MOhm
- Dielectric withstanding voltage: 500 Vac/mn
- Contact resistance: 20 mOhm max

PACKAGING

- Tray

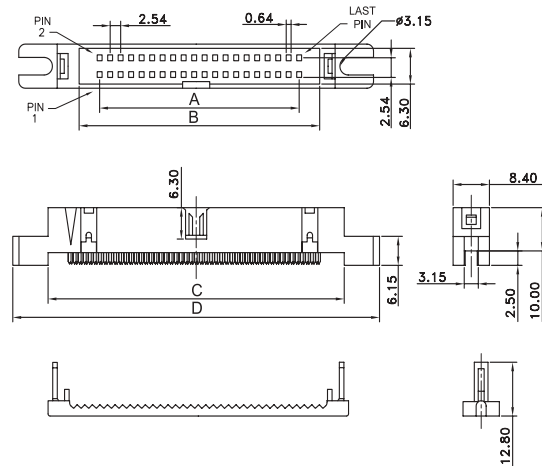
For suitable cable, please see chapter 06

Crimping tool see page 05-24

Order Code	Pins	A (mm)	B (mm)	C (mm)
612 010 258 21	10	10.16	18.00	23.00
612 014 258 21	14	15.24	23.08	28.08
612 016 258 21	16	17.78	25.62	30.62
612 020 258 21	20	22.86	30.70	35.70
612 026 258 21	26	30.48	38.32	43.42
612 034 258 21	34	40.64	48.48	53.48
612 040 258 21	40	48.26	56.10	61.10
612 050 258 21	50	60.96	68.80	73.80



2.54mm Male IDC Connector with Ears WR-BHD



05



MATERIAL

- Insulator: PBT
- Flamability rating: UL94-V0
- Colour: Grey
- Contact material: Copper alloy
- Contact type: Stamped
- Contact plating: Selective gold
- Quality class: 3 as per IEC 60 603-13
- Pitch: 2.54 mm

ENVIRONMENTAL

- Operating temperature: -40 °C up to 125 °C
- Compliance: Lead free and RoHS

ELECTRICAL

- Current rating: 1 A max
- Working voltage: 250 VAC
- Insulation resistance: >1000 MOhm
- Dielectric withstanding voltage: 500 Vac/mn
- Contact resistance: 20 mOhm max

PACKAGING

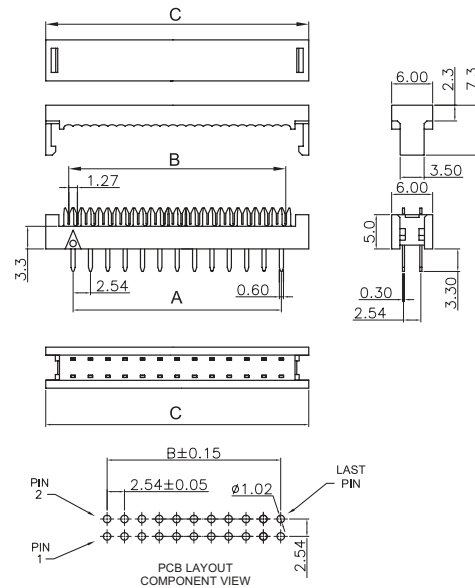
- Tray

For suitable cable, please see chapter 06

Crimping tool see page 05-24

Order Code	Pins	A (mm)	B (mm)	C (mm)	D (mm)
612 010 259 21	10	10.16	18.00	23.00	37.20
612 014 259 21	14	15.24	23.08	28.08	42.28
612 016 259 21	16	17.78	25.62	30.62	44.82
612 020 259 21	20	22.86	30.70	35.70	49.90
612 026 259 21	26	30.48	38.32	43.32	57.52
612 034 259 21	34	40.64	48.48	53.48	67.68
612 040 259 21	40	48.26	56.10	61.10	75.30
612 050 259 21	50	60.69	68.80	73.80	88.80

2.54mm Board to Cable Transition Connector WR-BHD



MATERIAL

- Insulator: PBT
- Flamability rating: UL94-V0
- Colour: Black
- Contact material: Copper alloy
- Contact type: Stamped
- Contact plating: Selective gold
- Quality class: 3 as per IEC 60 603-13
- Pitch: 2.54 mm

ENVIRONMENTAL

- Operating temperature: -40 °C up to 125 °C
- Compliance: Lead free and RoHS

ELECTRICAL

- Current rating: 1 A max
- Working voltage: 250 VAC
- Insulation resistance: >1000 MOhm
- Dielectric withstanding voltage: 500 Vac/mn
- Contact resistance: 20 mOhm max

SOLDERING

- Solder temperature: JEDEC lead free wave soldering

PACKAGING

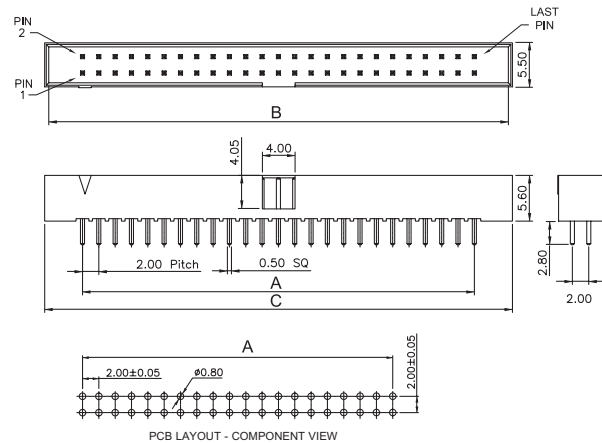
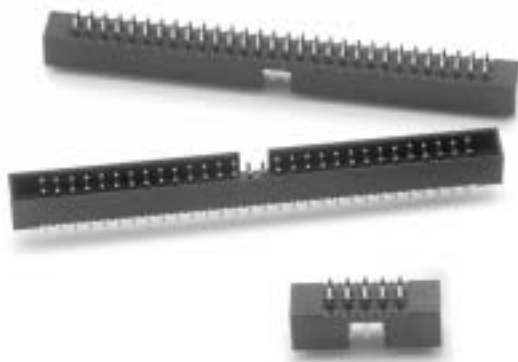
- Tray

For suitable cable, please see chapter 06
Crimping tool see page 05-24

Order Code	Pins	A (mm)	B (mm)	C (mm)
612 006 223 23	6	5.08	6.35	13.07
612 008 223 23	8	7.62	8.89	15.61
612 010 223 23	10	10.16	11.43	18.15
612 014 223 23	14	15.24	16.51	23.23
612 016 223 23	16	17.78	19.05	25.77
612 020 223 23	20	22.86	24.13	30.85
612 026 223 23	26	30.48	31.75	38.47
612 034 223 23	34	40.64	41.91	48.63
612 040 223 23	40	48.26	49.53	56.25
612 050 223 23	50	60.96	62.23	68.95



2.00mm Male Box Header WR-BHD



05



MATERIAL

- Insulator: PBT
- Flamability rating: UL94-V0
- Colour: Black
- Contact material: Copper alloy
- Contact type: Stamped
- Contact plating: Gold
- Quality class: 3 as per IEC 60 603-13
- Pitch: 2.00 mm

ENVIRONMENTAL

- Operating temperature: $-40\text{ }^{\circ}\text{C}$ up to $125\text{ }^{\circ}\text{C}$
- Compliance: Lead free and RoHS

ELECTRICAL

- Current rating: 2 A max
- Working voltage: 250 VAC
- Insulation resistance: $>1000\text{ MOhm}$
- Dielectric withstanding voltage: 500 Vac/mn
- Contact resistance: 20 mOhm max

SOLDERING

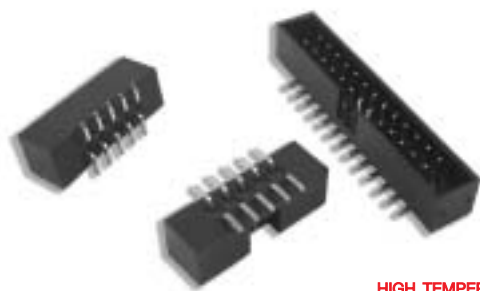
- Solder temperature: JEDEC lead free wave soldering

PACKAGING

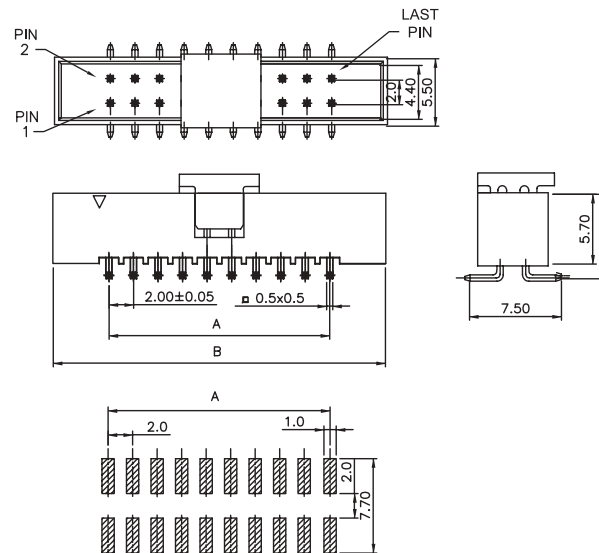
- Tray

Order Code	Pins	A (mm)	B (mm)	C (mm)
625 010 216 21	10	8.00	16.10	17.20
625 014 216 21	14	12.00	20.10	21.20
625 016 216 21	16	14.00	22.10	23.20
625 020 216 21	20	18.00	26.10	27.20
625 026 216 21	26	24.00	32.10	33.20
625 030 216 21	30	28.00	36.10	37.20
625 034 216 21	34	32.00	40.10	41.20
625 040 216 21	40	38.00	46.10	47.20
625 044 216 21	44	42.00	50.10	51.20
625 050 216 21	50	48.00	56.10	57.20

2.00mm Male SMT Box Header High Temperature WR-BHD



HIGH TEMPERATURE



05



MATERIAL

- Insulator: Nylon 46
- Flamability rating: UL94-V0
- Colour: Black
- Contact material: Copper alloy
- Contact type: Stamped
- Contact plating: Gold
- Quality class: 3 as per IEC 60 603-13
- Pitch: 2.00 mm

ENVIRONMENTAL

- Operating temperature: -40 °C up to 125 °C
- Compliance: Lead free and RoHS

ELECTRICAL

- Current rating: 2 A max
- Working voltage: 250 VAC
- Insulation resistance: >1000 MOhm
- Dielectric withstanding voltage: 500 Vac/mn
- Contact resistance: 20 mOhm max

SOLDERING

- Solder temperature: JEDEC lead free reflow soldering

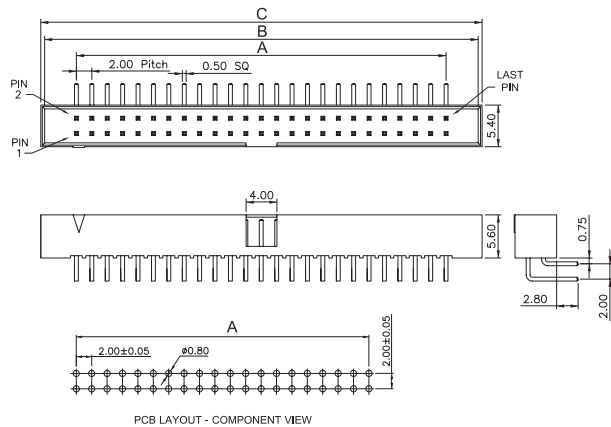
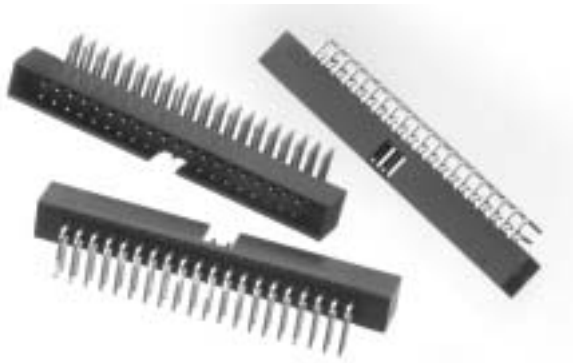
PACKAGING

- Tape & Reel with cap

Order Code	Pins	A (mm)	B (mm)
625 310 206 21	10	8.00	17.25
625 314 206 21	14	12.00	21.25
625 316 206 21	16	14.00	23.25
625 320 206 21	20	18.00	27.25
625 326 206 21	26	24.00	33.25
625 330 206 21	30	28.00	37.25
625 334 206 21	34	32.00	41.25
625 340 206 21	40	38.00	47.25
625 344 206 21	44	42.00	51.25
625 350 206 21	50	48.00	57.25



2.00mm Male Angled Box Header WR-BHD



05



MATERIAL

- Insulator: PBT
- Flamability rating: UL94-V0
- Colour: Black
- Contact material: Copper alloy
- Contact type: Stamped
- Contact plating: Gold
- Quality class: 3 as per IEC 60 603-13
- Pitch: 2.00 mm

ENVIRONMENTAL

- Operating temperature: -40 °C up to 125 °C
- Compliance: Lead free and RoHS

ELECTRICAL

- Current rating: 2 A max
- Working voltage: 250 VAC
- Insulation resistance: >1000 MOhm
- Dielectric withstanding voltage: 500 Vac/mn
- Contact resistance: 20 mOhm max

SOLDERING

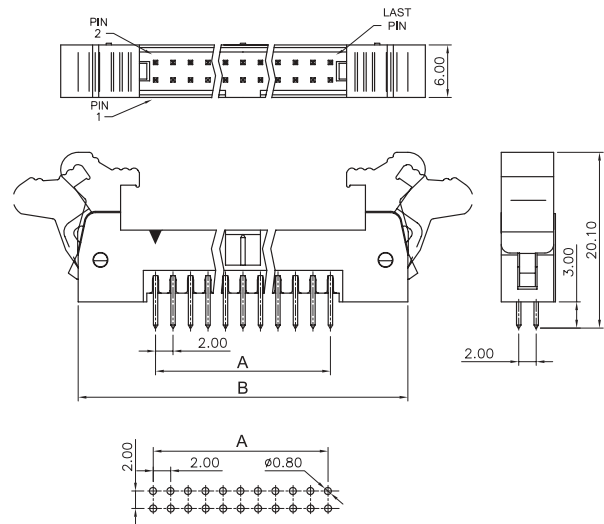
- Solder temperature: JEDEC lead free wave soldering

PACKAGING

- Tray

Order Code	Pins	A (mm)	B (mm)	C (mm)
625 010 217 21	10	8.00	16.10	17.20
625 014 217 21	14	12.00	20.10	21.20
625 016 217 21	16	14.00	22.10	23.20
625 020 217 21	20	18.00	26.10	27.20
625 026 217 21	26	24.00	32.10	33.20
625 030 217 21	30	28.00	36.10	37.20
625 034 217 21	34	32.00	40.10	41.20
625 040 217 21	40	38.00	46.10	47.20
625 044 217 21	44	42.00	50.10	51.20
625 050 217 21	50	48.00	56.10	57.20

2.00mm Male Box Header with Lever WR-BHD



MATERIAL

- Insulator: PBT
- Flamability rating: UL94-V0
- Colour: Black
- Contact material: Copper alloy
- Contact type: Stamped
- Contact plating: Gold
- Quality class: 3 as per IEC 60 603-13
- Pitch: 2.00 mm

ENVIRONMENTAL

- Operating temperature: -40 °C up to 125 °C
- Compliance: Lead free and RoHS

ELECTRICAL

- Current rating: 2 A max
- Working voltage: 250 VAC
- Insulation resistance: >1000 MOhm
- Dielectric withstanding voltage: 500 Vac/mn
- Contact resistance: 20 mOhm max

SOLDERING

- Solder temperature: JEDEC lead free wave soldering

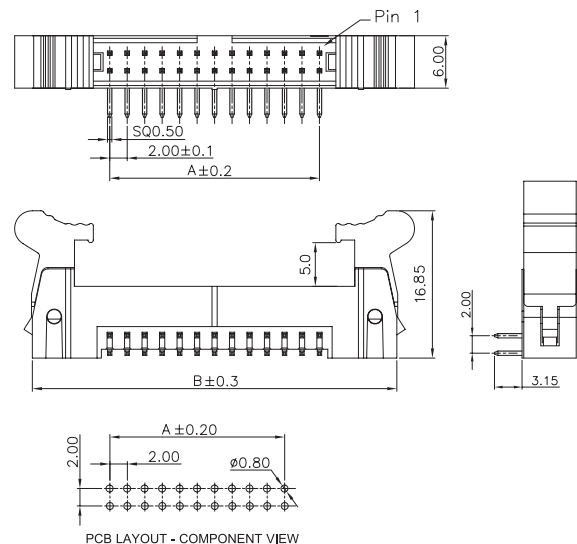
PACKAGING

- Tray

Order Code	Pins	A (mm)	B (mm)
625 010 220 21	10	8.00	25.70
625 014 220 21	14	12.00	29.70
625 020 220 21	20	18.00	35.70
625 026 220 21	26	24.00	41.70
625 030 220 21	30	28.00	45.70
625 034 220 21	34	32.00	49.70
625 040 220 21	40	38.00	55.70
625 044 220 21	44	42.00	59.70
625 050 220 21	50	48.00	65.70

NEW

2.00mm Male Angled Box Header with Lever WR-BHD



05



MATERIAL

- Insulator: PBT
- Flamability rating: UL94-V0
- Colour: Black
- Contact material: Copper alloy
- Contact type: Stamped
- Contact plating: Gold
- Quality class: 3 as per IEC 60 603-13
- Pitch: 2.00 mm

ENVIRONMENTAL

- Operating temperature: -40 °C up to 125 °C
- Compliance: Lead free and RoHS

ELECTRICAL

- Current rating: 2 A max
- Working voltage: 250 VAC
- Insulation resistance: >1000 MOhm
- Dielectric withstanding voltage: 500 Vac/mn
- Contact resistance: 20 mOhm max

SOLDERING

- Solder temperature: JEDEC lead free wave soldering

PACKAGING

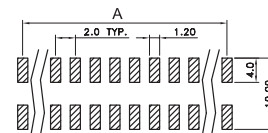
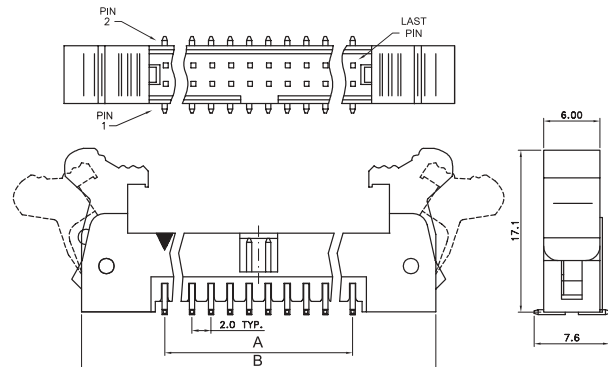
- Tray

Order Code	Pins	A (mm)	B (mm)
625 010 221 21	10	8.00	25.70
625 014 221 21	14	12.00	29.70
625 020 221 21	20	18.00	35.70
625 026 221 21	26	24.00	41.70
625 030 221 21	30	28.00	45.70
625 034 221 21	34	32.00	49.70
625 040 221 21	40	38.00	55.70
625 044 221 21	44	42.00	59.70
625 050 221 21	50	48.00	65.70

2.00mm Male SMT Box Header with Lever WR-BHD



HIGH TEMPERATURE



MATERIAL

- Insulator: Nylon 6T
- Flamability rating: UL94-V0
- Colour: Black
- Contact material: Copper alloy
- Contact type: Stamped
- Contact plating: Gold
- Quality class: 3 as per IEC 60 603-13
- Pitch: 2.00 mm

ENVIRONMENTAL

- Operating temperature: -40 °C up to 125 °C
- Compliance: Lead free and RoHS

ELECTRICAL

- Current rating: 2 A max
- Working voltage: 250 VAC
- Insulation resistance: >1000 MOhm
- Dielectric withstanding voltage: 500 Vac/mn
- Contact resistance: 20 mOhm max

SOLDERING

- Solder temperature: JEDEC lead free reflow soldering

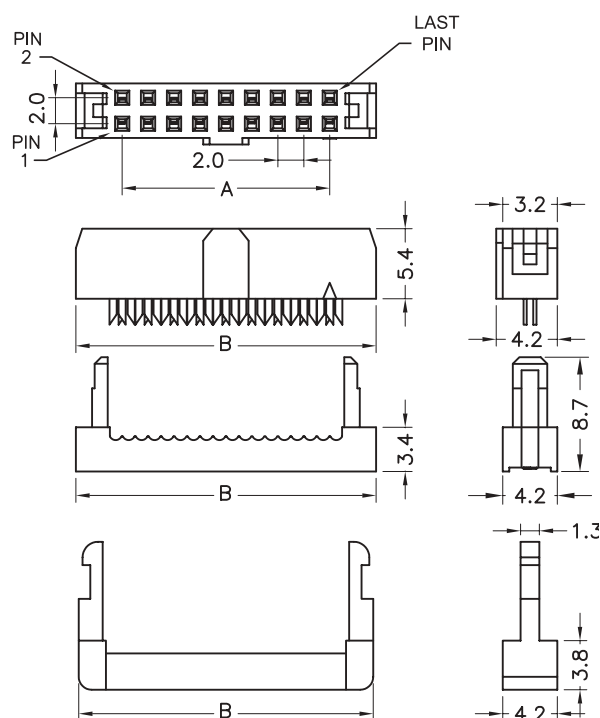
PACKAGING

- Tray

05

Order Code	Pins	A (mm)	B (mm)
625 010 230 621	10	8.00	25.70
625 014 230 621	14	12.00	29.70
625 016 230 621	16	14.00	31.70
625 020 230 621	20	18.00	35.70
625 026 230 621	26	24.00	41.70
625 030 230 621	30	28.00	45.70
625 034 230 621	34	32.00	49.70
625 040 230 621	40	38.00	55.70
625 050 230 621	50	48.00	65.70

2.00mm Female IDC Connector with Strain Relief* WR-BHD



05



MATERIAL

- Insulator: PBT
- Flamability rating: UL94-V0
- Colour: Black
- Contact material: Copper alloy
- Contact type: Stamped
- Contact plating: Selective gold
- Quality class: 3 as per IEC 60 603-13
- Pitch: 2.00 mm

ENVIRONMENTAL

- Operating temperature: -40 °C up to 125 °C
- Compliance: Lead free and RoHS

ELECTRICAL

- Current rating: 1 A max
- Working voltage: 250 VAC
- Insulation resistance: >1000 MOhm
- Dielectric withstanding voltage: 500 Vac/mn
- Contact resistance: 20 mOhm max

PACKAGING

- Tray + bag*

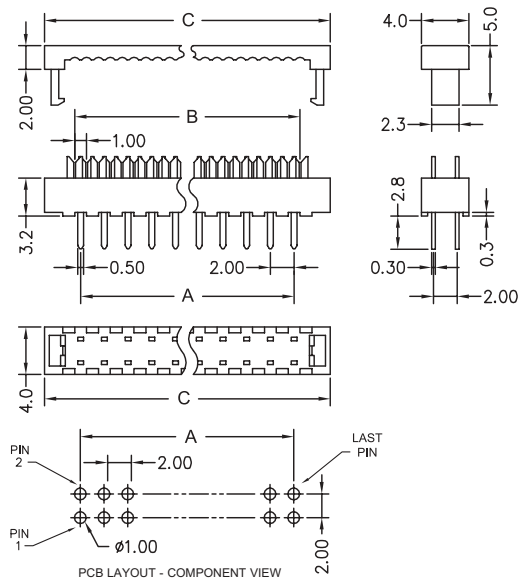
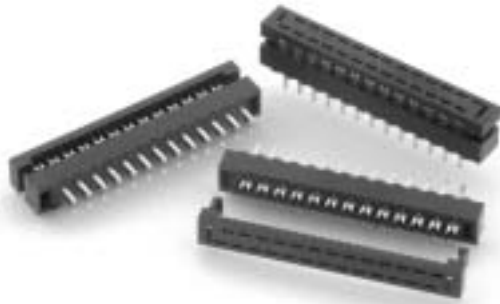
* Strain relief is always delivered in a separate bag for optional use

For suitable cable, please see chapter 06

Crimping tool see page 05-24

Order Code	Pins	A (mm)	B (mm)
625 006 230 21	6	4.00	11.50
625 008 230 21	8	6.00	13.50
625 010 230 21	10	8.00	15.50
625 014 230 21	14	12.00	19.50
625 016 230 21	16	14.00	21.50
625 020 230 21	20	18.00	25.50
625 024 230 21	24	22.00	29.50
625 026 230 21	26	24.00	31.50
625 034 230 21	34	32.00	39.50
625 040 230 21	40	38.00	45.50
625 044 230 21	44	42.00	49.50
625 050 230 21	50	48.00	55.50

2.00mm Board to Cable Transition Connector WR-BHD



MATERIAL

- Insulator: PBT
- Flamability rating: UL94-V0
- Colour: Black
- Contact material: Copper alloy
- Contact type: Stamped
- Contact plating: Selective gold
- Quality class: 3 as per IEC 60 603-13
- Pitch: 2.00 mm

ENVIRONMENTAL

- Operating temperature: -40 °C up to 125 °C
- Compliance: Lead free and RoHS

ELECTRICAL

- Current rating: 1 A max
- Working voltage: 250 VAC
- Insulation resistance: >1000 MOhm
- Dielectric withstanding voltage: 500 Vac/mn
- Contact resistance: 20 mOhm max

SOLDERING

- Solder temperature: JEDEC lead free wave soldering

PACKAGING

- Tray

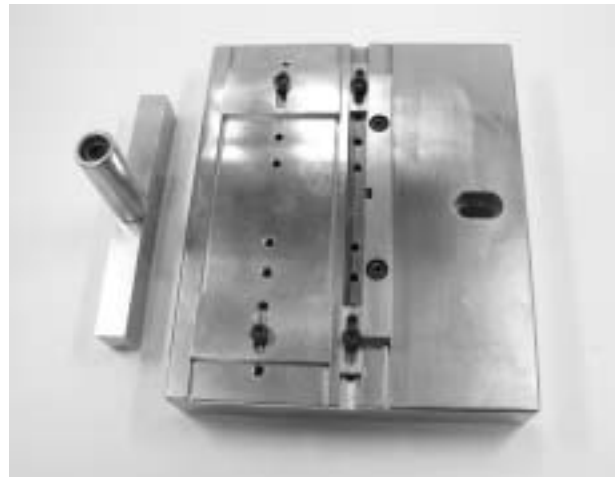
For suitable cable, please see chapter 06
Crimping tool see page 05-24

Order Code	Pins	A (mm)	B (mm)	C (mm)
625 010 223 23	10	8.00	9.00	14.10
625 014 223 23	14	12.00	13.00	18.10
625 020 223 23	20	18.00	19.00	24.10
625 026 223 23	26	24.00	25.00	30.10
625 030 223 23	30	28.00	29.00	34.10
625 034 223 23	34	32.00	33.00	38.10
625 040 223 23	40	38.00	39.00	44.10
625 050 223 23	50	48.00	49.00	54.10



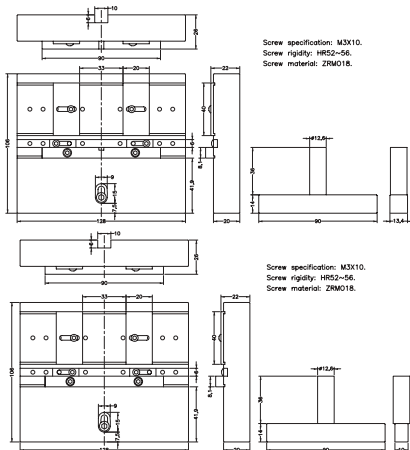
NEW

IDC Press WR-BHD

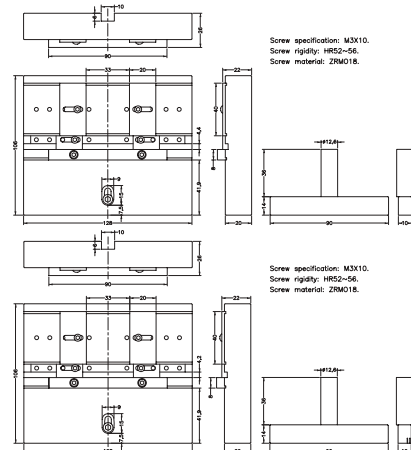


05

1



2



4

3

5



Valid only for WR-BHD series. For more details ask for our user's manual

Order Code	Fig	Description
600 612 282 800	1	IDC Press (Die must be ordered seperatly, see below)
600 612 282 802	2	Dies suitable for 612 0xx 230 21
600 612 282 803	3	Dies suitable for 612 0xx 223 23
600 625 282 802	4	Dies suitable for 625 0xx 230 21
600 625 282 803	5	Dies suitable for 625 0xx 223 23