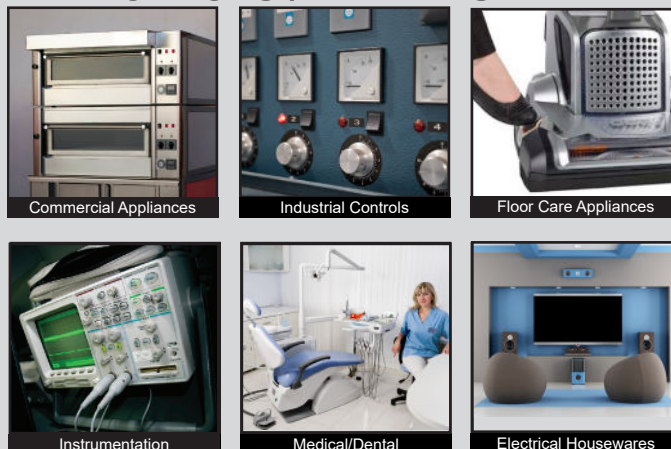


# RB5 SERIES ROCKER SWITCH

ANTI-VANDAL SWITCHES  
DETECTOR SWITCHES  
DIP SWITCHES  
KEYLOCK SWITCHES  
NAVIGATION SWITCHES  
PUSHBUTTON SWITCHES  
**ROCKER SWITCHES**  
ROTARY SWITCHES  
SLIDE SWITCHES  
SNAP ACTION SWITCHES  
TACTILE SWITCHES  
TOGGLE SWITCHES  
CAP OPTIONS



## APPLICATIONS / MARKETS



**RoHS**

## SPECIFICATIONS

### Electrical Rating:

- A - 16(8)A, 125/250VAC, T55, IP67
- B - 20(8)A, 125/250VAC, T55, IP67
- C - 25(8)A, 125/250VAC, T55, IP67
- D - 16A, 6-48VDC, T55, IP67
- E - 20A, 6-36VDC, T55, IP67
- 1 - 16(8)A, 125/250VAC, T125/55
- 2 - 20(8)A, 125/250VAC, T125/55
- 4 - 16A, 6-48VDC, 40T125/55
- 5 - 20A, 6-36VDC, 40T125/55

**Operating Temperature:** 0°C to 55°C

**Electrical Life:** 10,000 Cycles

**Contact Resistance:** 20mΩ Max. at 50VAC initial

**Insulation Resistance:** 100MΩ Min. at 500VDC

**Dielectric Strength:** 1,000VAC for 1 min.

**Ingress Protection:** IP67

**Agency Approvals:** cURus, ENEC15

## FEATURES & BENEFITS

- High Quality and Reliable Switch
- Industry Standard 22mm x 30.2mm Cutout
- Illumination Options
- Marking Options
- Multiple Actuator Options
- Front Panel Mount Applications
- 2 Pole Maintained and Momentary Functions

## PART NUMBER CONFIGURATOR

Series	Terminal	Function	Rating	Body Color	Actuator Color	Marking Color	Marking Type	LED 1	LED 2	Lamp Voltage
RB5	4 - 6.3mm Tab	1 - On-Off 2 - On-On 3 - On-Off-On 4 - (On)-Off 5 - (On)-On 6 - (On)-Off-(On) 7 - (On)-Off-On	A - 16(8)A, 125/250VAC, T55, IP67 B - 20(8)A, 125/250VAC, T55, IP67 C - 25(8)A, 125/250VAC, T55, IP67 D - 16A, 6-48VDC, T55, IP67 E - 20A, 6-36VDC, T55, IP67 1 - 16(8)A, 125/250VAC, T125/55 2 - 20(8)A, 125/250VAC, T125/55 4 - 16A, 6-48VDC, 40T125/55 5 - 20A, 6-36VDC, 40T125/55	1 - Black 2 - White	1 - Black 2 - White	0 - None 2 - White	0 - None 1 - I/O Vertical 2 - ON-OFF-ON Vertical 3 - ON-OFF Vertical 4 - ON-OFF Horizontal 9 - I/O/II Horizontal R - I/O Horizontal S - I/O/II Vertical	None - Not Illuminated 0 - White 1 - Red 3 - Green 4 - Blue 5 - Yellow	None - Not Illuminated 0 - White 1 - Red 3 - Green 4 - Blue 5 - Yellow	None - Not Illuminated 4 - 12V 5 - 24V 6 - 125V 7 - 250V

*Notes:*  
Custom Colors and Markings Available Upon Request  
( ) = Denotes Momentary Function

Specifications subject to change without notice 8.30.2023



**E-SWITCH®**

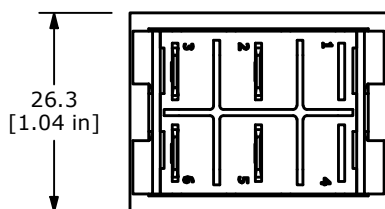
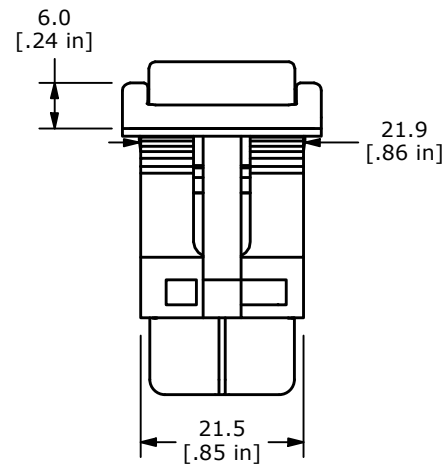
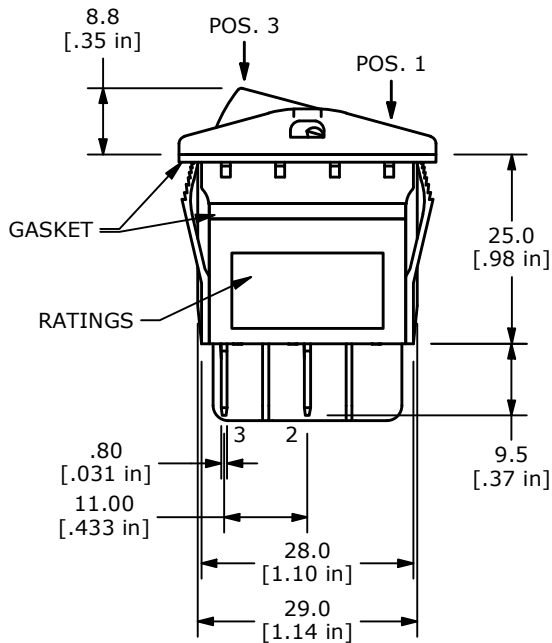
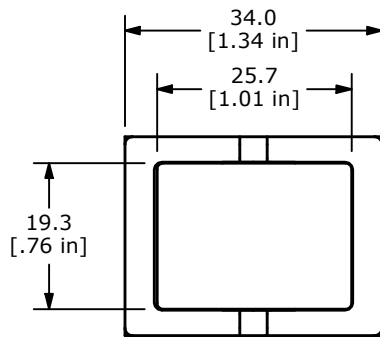
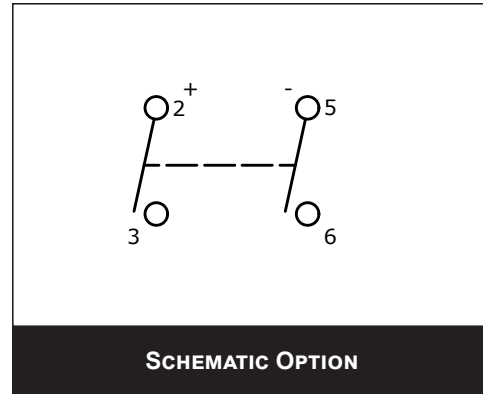
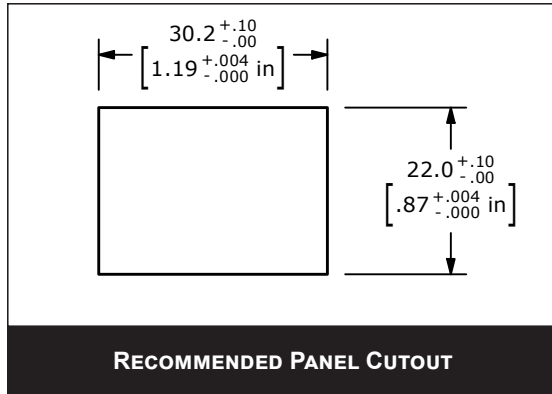
www.e-switch.com

800.867.2717

1

# RB5 SERIES ROCKER SWITCH

## BODY DIMENSIONS DPST NON-ILLUMINATED

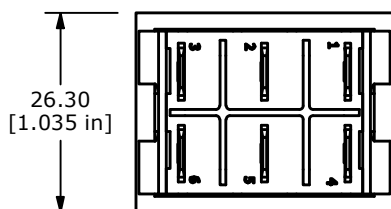
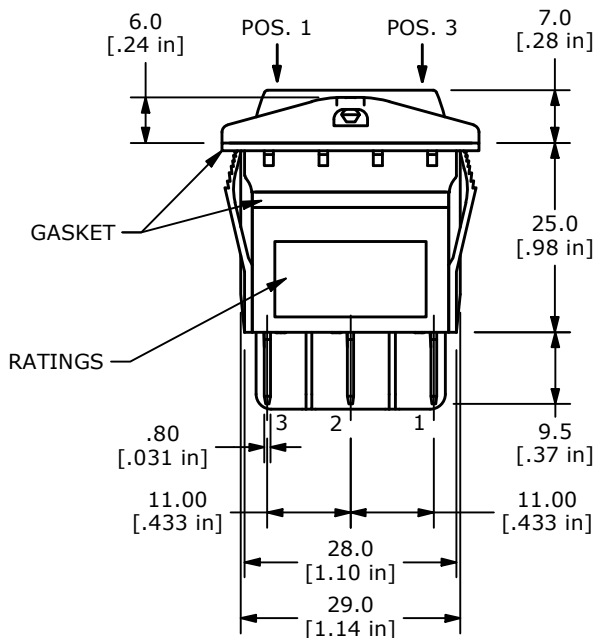
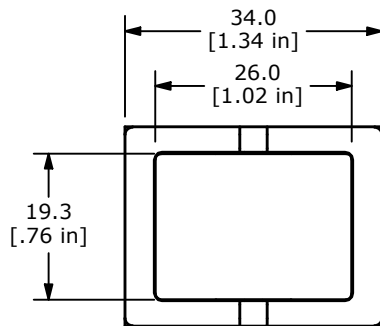
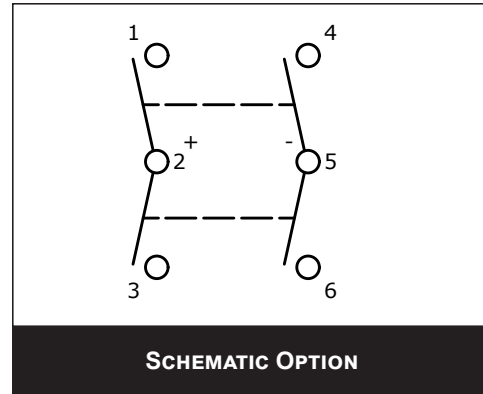
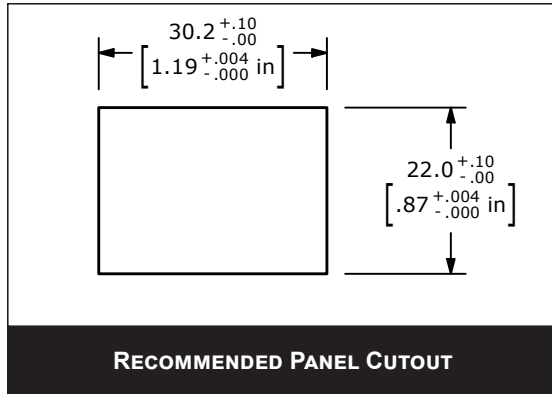


- ANTI-VANDAL SWITCHES
- DETECTOR SWITCHES
- DIP SWITCHES
- KEYLOCK SWITCHES
- NAVIGATION SWITCHES
- PUSHBUTTON SWITCHES
- ROCKER SWITCHES**
- ROTARY SWITCHES
- SLIDE SWITCHES
- SNAP ACTION SWITCHES
- TACTILE SWITCHES
- TOGGLE SWITCHES
- CAP OPTIONS



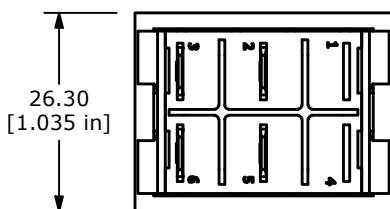
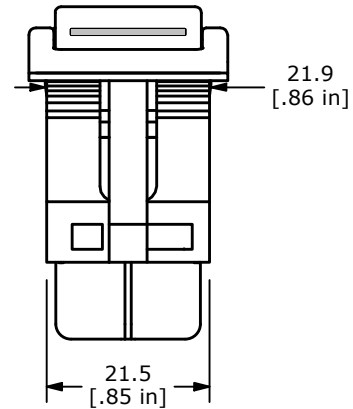
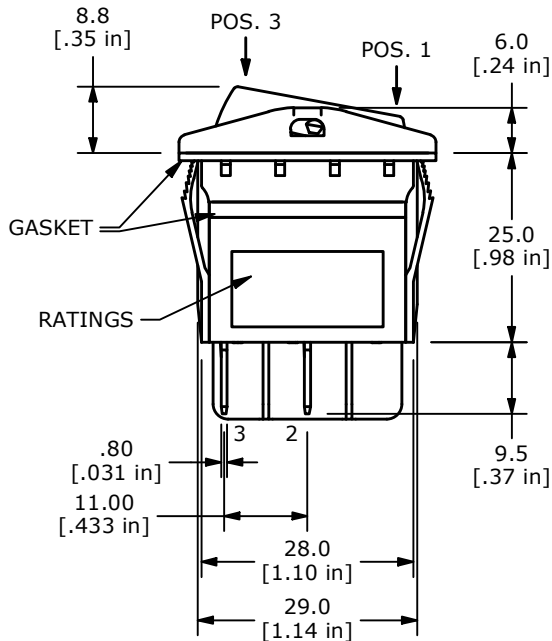
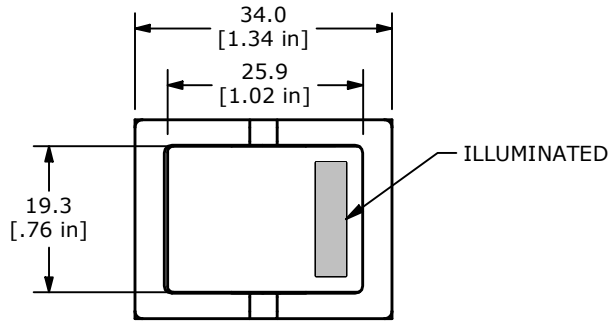
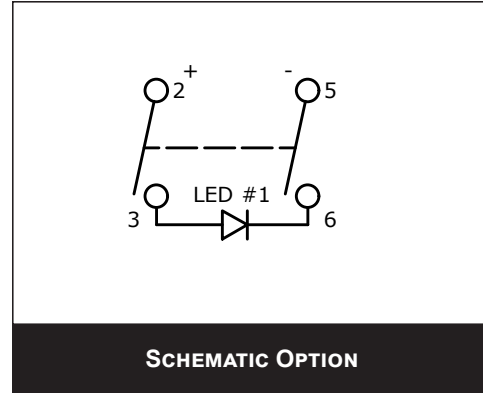
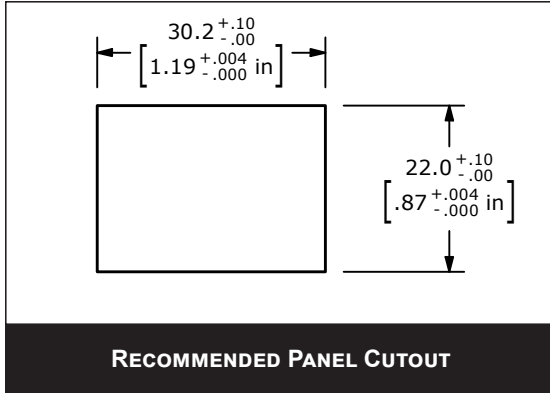
# RB5 SERIES ROCKER SWITCH

## BODY DIMENSIONS DPDT NON-ILLUMINATED



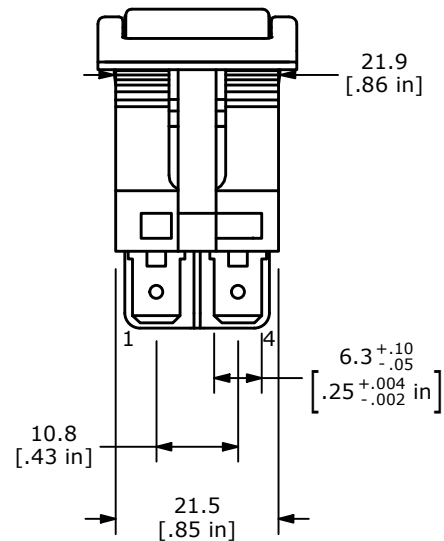
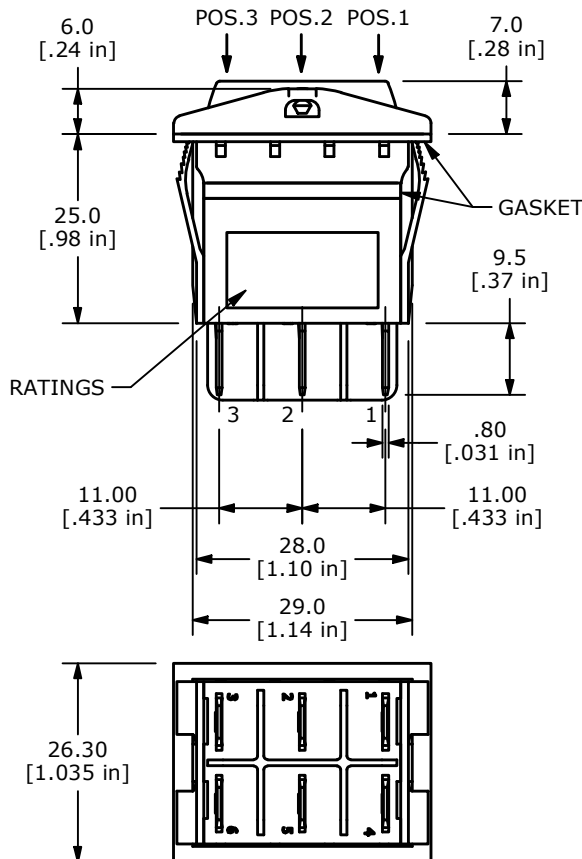
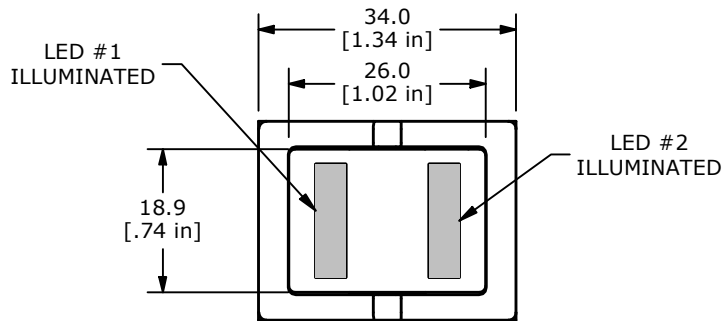
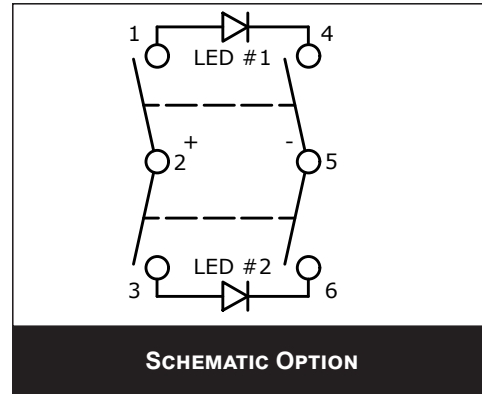
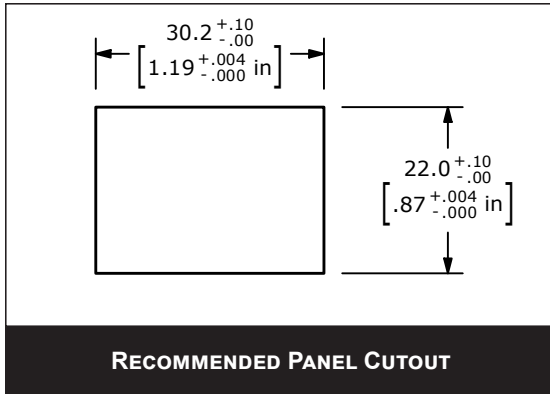
# RB5 SERIES ROCKER SWITCH

## BODY DIMENSIONS DPST ILLUMINATED



# RB5 SERIES ROCKER SWITCH

## BODY DIMENSIONS DPDT ILLUMINATED

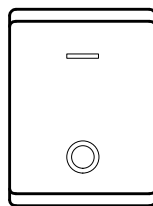


# RB5 SERIES ROCKER SWITCH

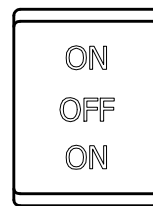
## MARKING OPTIONS



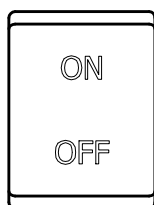
0 - NONE



1 - I/O  
VERTICAL



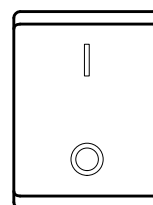
2 - ON-OFF-ON  
VERTICAL



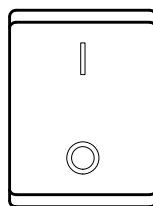
3 - ON-OFF  
VERTICAL



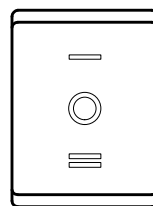
4 - ON-OFF  
HORIZONTAL



5 - I/O/II  
HORIZONTAL



R - I/O  
HORIZONTAL



5 - I/O/II  
VERTICAL

ANTI-VANDAL  
SWITCHES

DETECTOR  
SWITCHES

DIP  
SWITCHES

KEYLOCK  
SWITCHES

NAVIGATION  
SWITCHES

PUSHBUTTON  
SWITCHES

ROCKER  
SWITCHES

ROTARY  
SWITCHES

SLIDE  
SWITCHES

SNAP ACTION  
SWITCHES

TACTILE  
SWITCHES

TOGGLE  
SWITCHES

CAP  
OPTIONS

