



PCB terminal block; 4 mm²; Pin spacing 7.5 mm; 4-pole; CAGE CLAMP®; commoning option

Item No.: 745-154



PCB terminal block; 4 mm²; Pin spacing 7.5 mm; 4-pole; CAGE CLAMP®; commoning option

Marking

RoHS ✓
Compliant

Business data

| | |
|----------------------|---------------|
| Supplier | WAGO |
| Item no. | 745-154 |
| GTIN / EAN | 4044918632300 |
| Content | 1 |
| Order amount | 90 |
| Customer item number | |

Notes

Item description: Klemmenleisten mit CAGE CLAMP®-Anschluss und Schraubendreherbetätigung Auch als Variante mit Ex-e-Zulassung verfügbar Brückungskämme für das Durchschleifen und Verteilen von Potentialen Individuelle Farbkombinationen 2 Lötstifte für hohe mechanische Stabilität Platzersparnis durch Positionierung hintereinanderliegender Klemmenleisten Integrierter Prüfabgriff Aufnahme für Mini-WSB-Beschriftungsschilder

Technical data

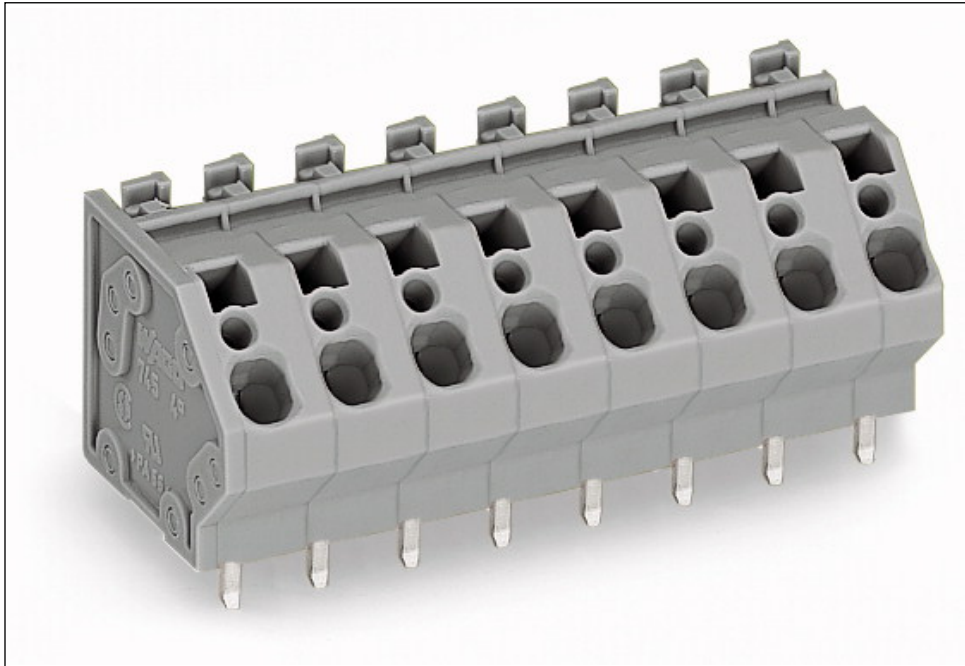
Miscellaneous

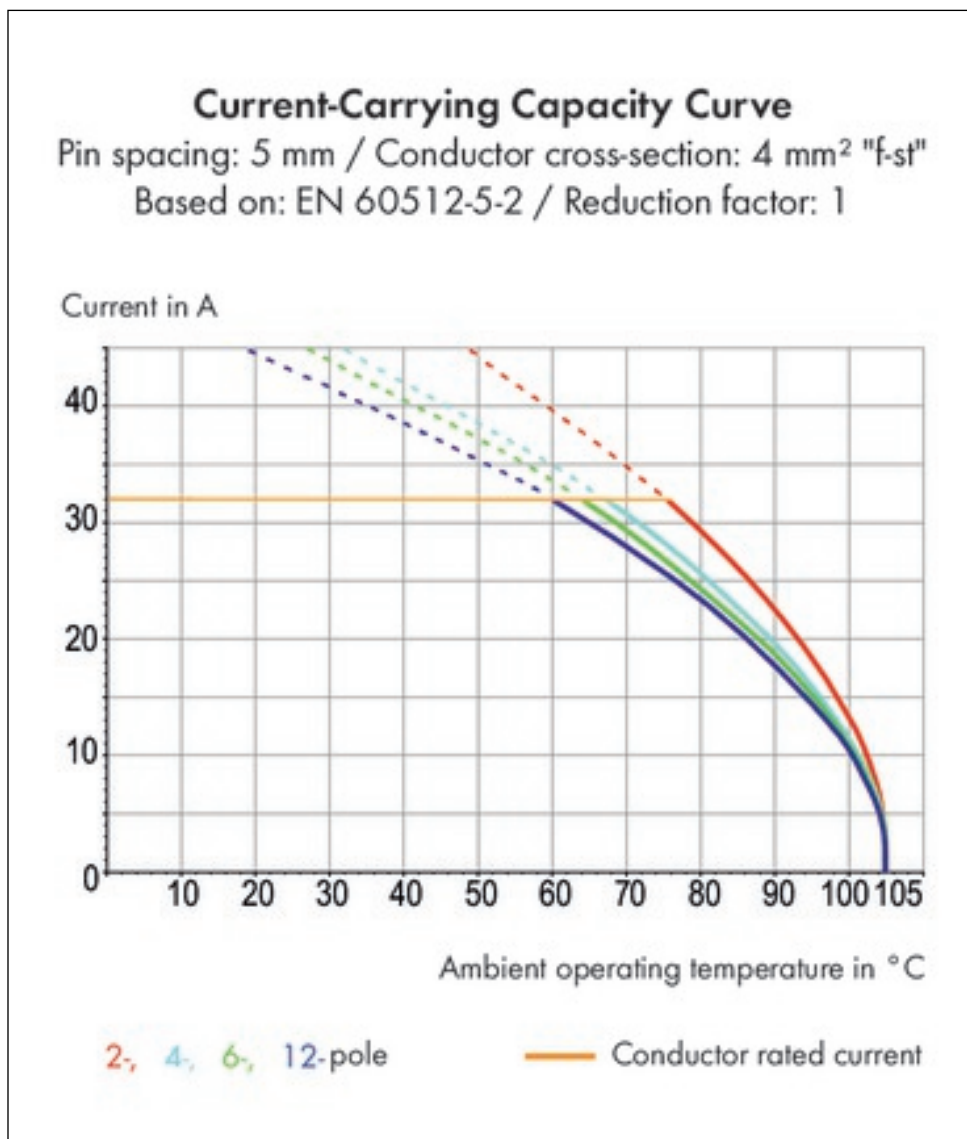
| | |
|----------------|----------------|
| Packaging type | BOX |
| Ratings per | IEC/EN 60664-1 |

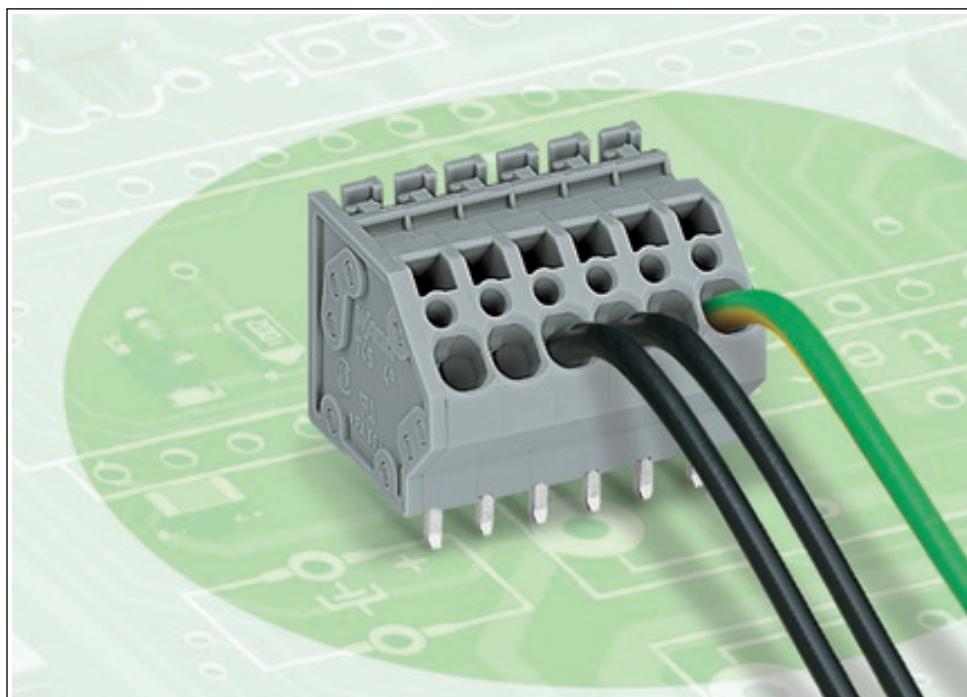
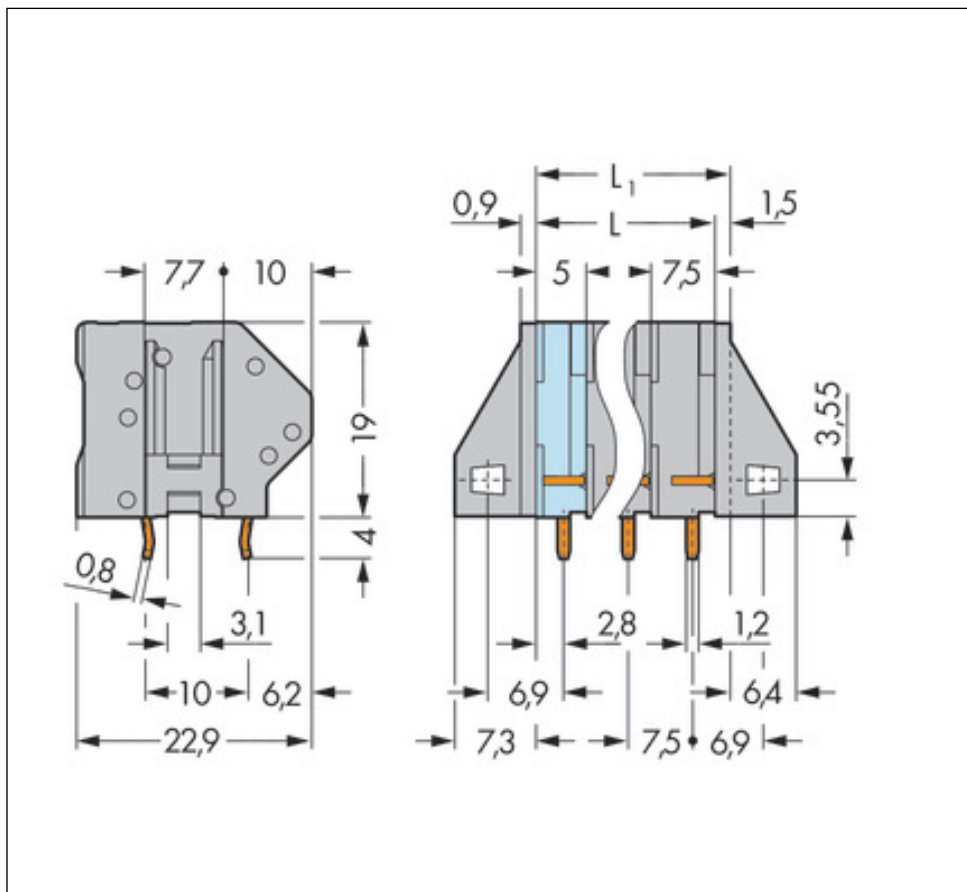
| Technical data | |
|---|---|
| Rated voltage (III / 3) [V] | 500 [V] |
| Rated impulse voltage (III / 3) [kV] | 6 [kV] |
| Rated voltage (III/2) [V] | 630 [V] |
| Rated impulse voltage (III / 2) [kV] | 6 [kV] |
| Rated voltage (II / 2) [V] | 1000 [V] |
| Rated impulse voltage (II / 2) [kV] | 6 [kV] |
| Rated current [A] | 32 [A] |
| Legend (ratings) | (III / 2) Overvoltage category III / Pollution degree 2 |
| Approvals per | UL 1059 |
| Rated voltage UL (Use Group B) [V] | 300 [V] |
| Rated current UL (Use Group B) [A] | 20 [A] |
| Rated voltage UL (Use Group C) [V] | 150 [V] |
| Rated current UL (Use Group C) [A] | 20 [A] |
| Rated voltage UL (Use Group D) [V] | 300 [V] |
| Rated current UL (Use Group D) [A] | 10 [A] |
| Rated voltage CSA (Use Group B) [V] | 300 [V] |
| Rated current CSA (Use Group B) [A] | 20 [A] |
| Rated voltage CSA (Use Group C) [V] | 150 [V] |
| Rated current CSA (Use Group C) [A] | 20 [A] |
| Rated voltage CSA (Use Group D) [V] | 300 [V] |
| Rated current CSA (Use Group D) [A] | 10 [A] |
| Total number of potentials | 4 |
| Number of connection types | 1 |
| Number of levels | 1 |
| Connection technology | CAGE CLAMP® |
| Number of connection points (connection type) | 1 |
| Actuation type | Operating tool |
| Solid conductor | 0.08 ... 4 mm ² / 28 ... 12 AWG |
| Fine-stranded conductor | 0.08 ... 4 mm ² / 28 ... 12 AWG |
| Fine-stranded conductor with ferrule with plastic collar | 0.25 ... 2.5 mm ² / ... |
| Fine-stranded conductor with ferrule without plastic collar | 0.25 ... 2.5 mm ² / ... |
| Strip length | 8 ... 9 mm / 0.31 ... 0.35 Inch |
| Conductor entry angle to the PCB [°] | 45 [°] |
| Pin spacing | 7.5 mm (0.295 in) |

| Technical data | |
|---|--|
| <i>Width</i> | <i>29 mm / 1.142 Inch</i> |
| <i>Height</i> | <i>23 mm / 0.906 Inch</i> |
| <i>Height from the surface</i> | <i>19 mm / 0.748 Inch</i> |
| <i>Depth</i> | <i>22.9 mm / 0.902 Inch</i> |
| <i>No. of poles</i> | <i>4</i> |
| <i>Solder pin arrangement</i> | <i>over the entire terminal strip, in line</i> |
| <i>Solder pin length [mm]</i> | <i>4 [mm]</i> |
| <i>Solder pin dimensions</i> | <i>0.8 x 1.2 mm</i> |
| <i>Drilled hole diameter (tolerance) [mm]</i> | <i>1.5(+ 0.1) [mm]</i> |
| <i>PCB contact</i> | <i>THT</i> |
| <i>Total number of connection points</i> | <i>4</i> |
| <i>Number of solder pins per potential</i> | <i>2</i> |
| <i>Color</i> | <i>gray</i> |
| <i>Material group</i> | <i>I</i> |
| <i>Insulating material</i> | <i>Polyamide 46 (PA 46)</i> |
| <i>Flammability class per UL94</i> | <i>V0</i> |
| <i>Clamping spring material</i> | <i>Chrome nickel spring steel (CrNi)</i> |
| <i>Contact material</i> | <i>Electrolytic copper (Ecu)</i> |
| <i>Contact plating</i> | <i>tin-plated</i> |
| <i>Fire load [MJ]</i> | <i>0.19 [MJ]</i> |
| <i>RoHS Conformity</i> | <i>1</i> |
| <i>Weight [g]</i> | <i>10.038 [g]</i> |
| <i>Limit temperature range</i> | <i>-60 ... 105 °C</i> |

Images & drawings







Address

WAGO Kontakttechnik GmbH & Co. KG

Hansastr. 27

32423 Minden

Telefon: 0571/887-0

Fax: 0571/887-169

<http://www.wago.com>

© WAGO Kontakttechnik GmbH & Co. KG

Technische Änderungen und Irrtümer vorbehalten.