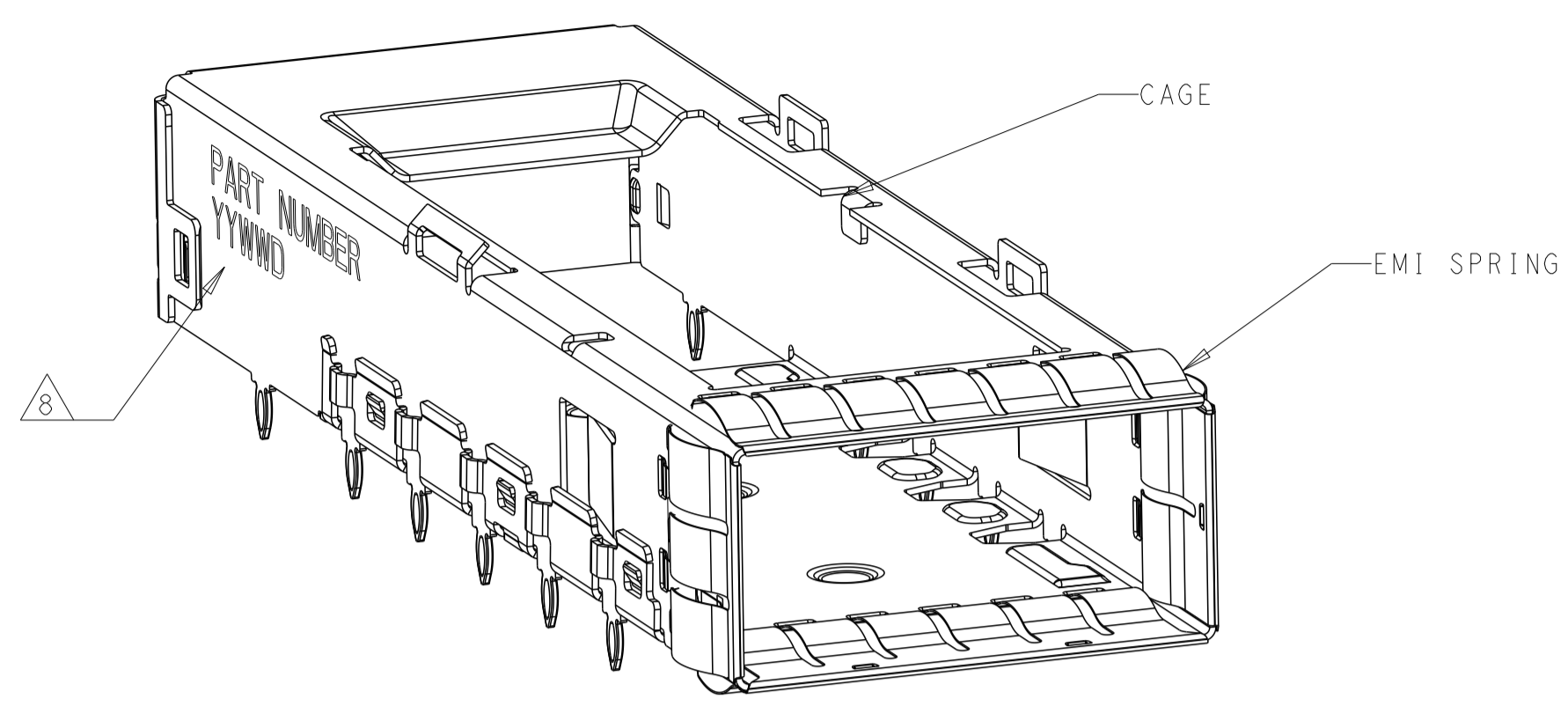
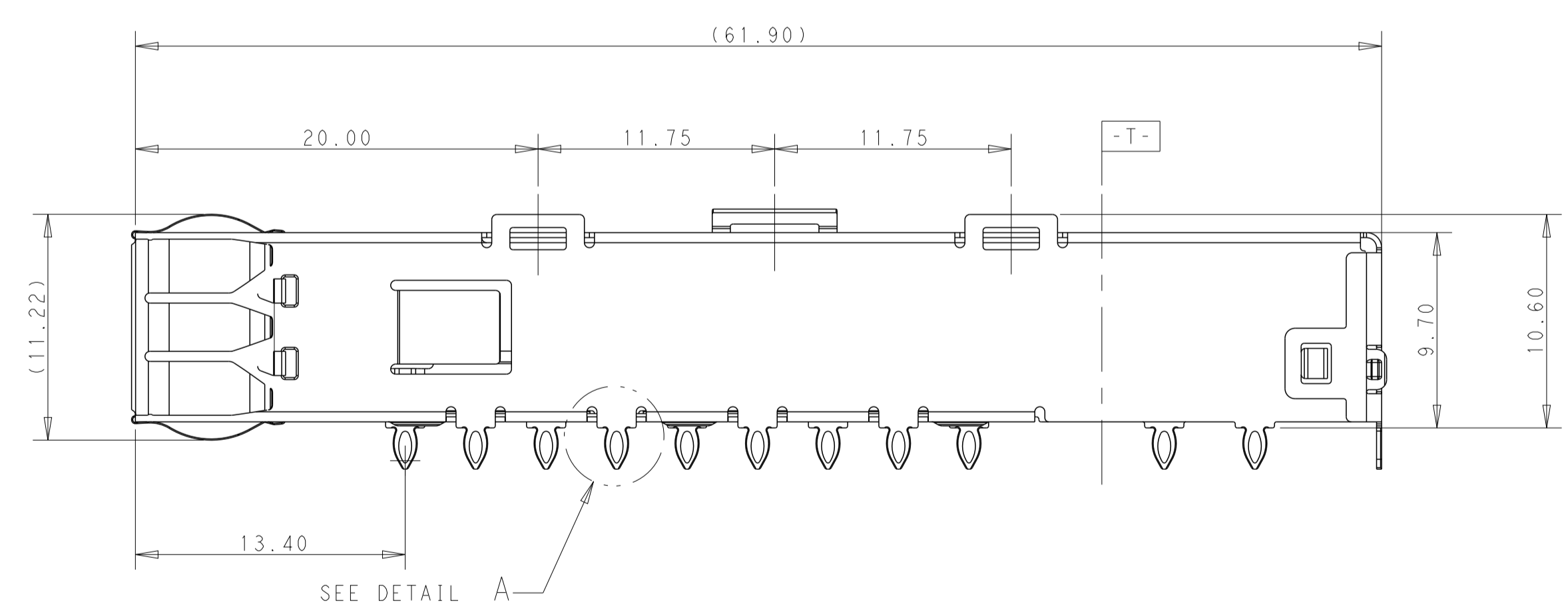
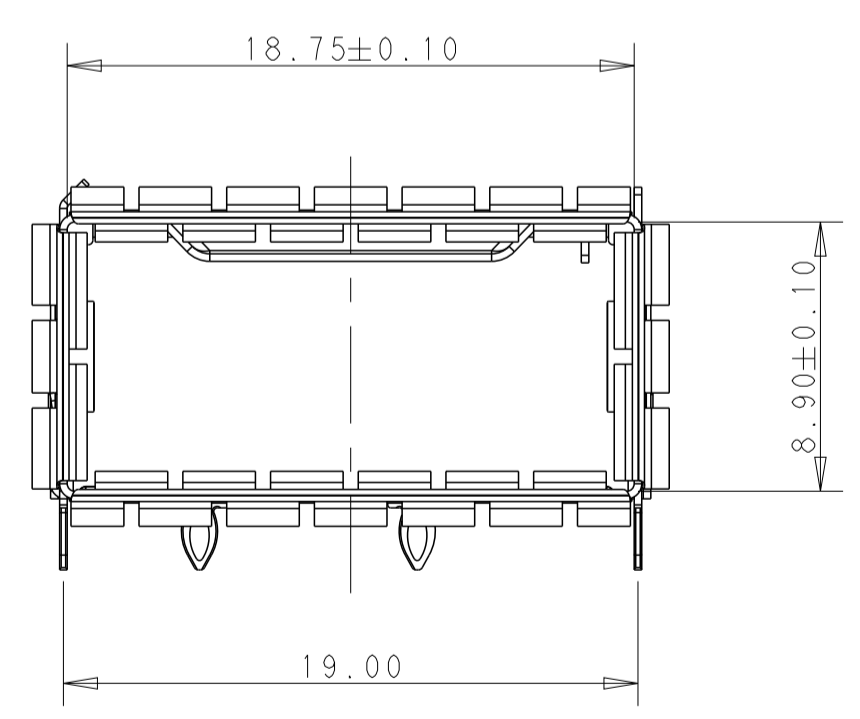
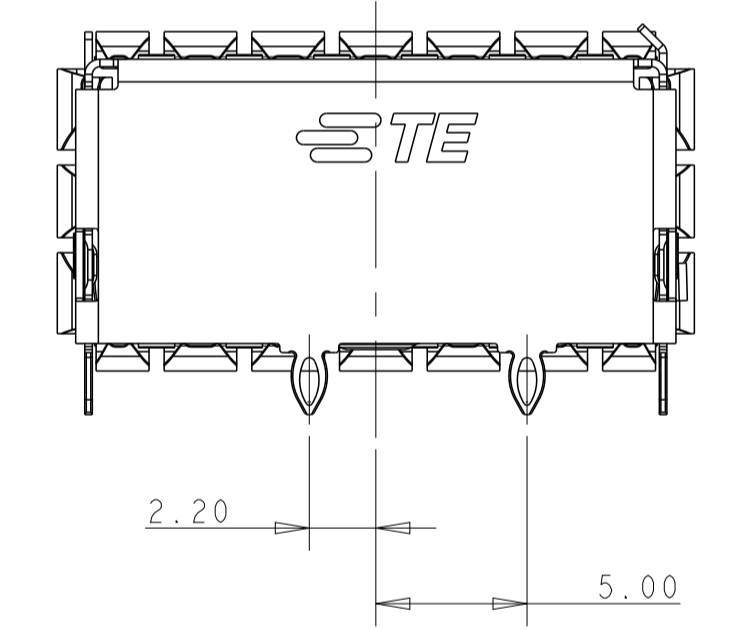
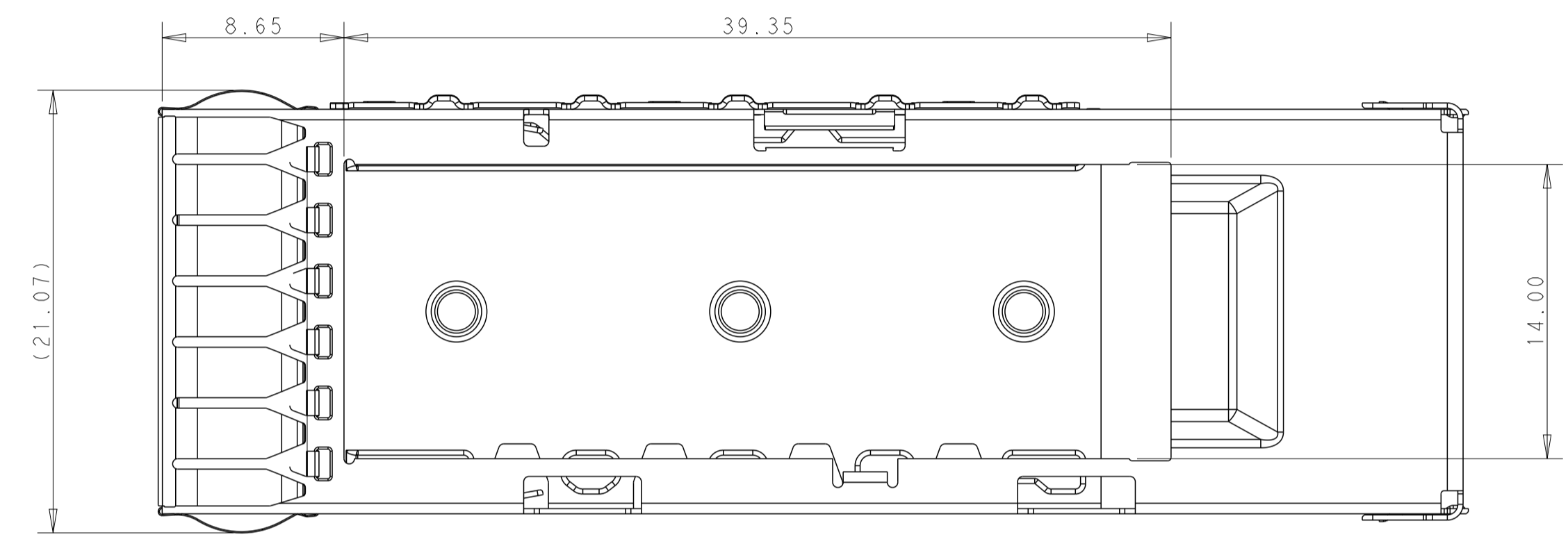


LOC		DIST		REVISIONS			
P	LTN	DESCRIPTION	DATE	OWN	APVD		
A		ECN-22-175374	20SEP2022	VL	ZSH		
A1		REVISED PER ECN-23-227269	09AUG2023	RY	SZ		
A2		REVISED PER ECN-23-244572	28SEP2023	RY	SZ		
A3		REVISED PER ECN-24-253186	23JAN2024	RY	SZ		

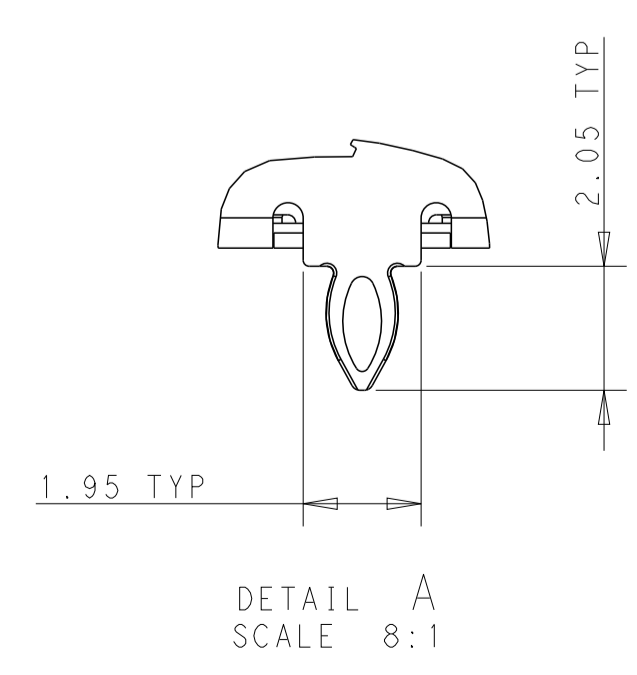


1-2385800-2 AS SHOWN  
SCALE 4:1

1. MATERIAL:  
CAGE MATERIAL : 0.25 THICK STAINLESS STEEL.  
SPRING MATERIAL: COPPER ALLOY
2. FINISH:  
SPRING: NICKEL PLATING
3. NOTE DELETE
4. REFERENCE APPLICATION SPEC 114-60025 FOR RECOMMENDED DRILL HOLE DIAMETER AND PLATING THICKNESS.
5. DATUM AND BASIC DIMENSIONS ESTABLISHED BY CUSTOMERS.
6. MINIMUM PC BOARD THICKNESS : SINGLES SIDED: 1.57 MIN  
DOUBLE SIDED: 3.00 MIN
7. DATUM **-A-** IS TOP SURFACE OF THE HOST BOARD.
8. DATE CODE (YYWD) MARKED APPROXIMATELY AS SHOWN
9. MATES WITH QSFP DD MSA COMPATIBLE TRANSCEIVER.



1-2385800-2  
SCALE 4:1



CLOSED TOP	Y	0	3-2385800-8
CLOSED TOP	N	0	2-2385800-5
CLOSED TOP	N	2	2385800-1
HS OPENING	N	0	1-2385800-7
HS OPENING	N	2	1-2385800-2
REMARK	INSULATOR TAPE	# REAR PINS	PART NUMBER

THIS DRAWING IS A CONTROLLED DOCUMENT. OWN: VINDY LIU 26JAN2021  
 CHK: SUNY ZHAO 26JAN2021  
 APVD: SUNY ZHAO

DIMENSIONS: mm  
 TOLERANCES UNLESS OTHERWISE SPECIFIED:  
 0 PLC ±0.25  
 1 PLC ±0.25  
 2 PLC ±0.20  
 3 PLC ±0.10  
 4 PLC ±0.10  
 ANGLES ±°

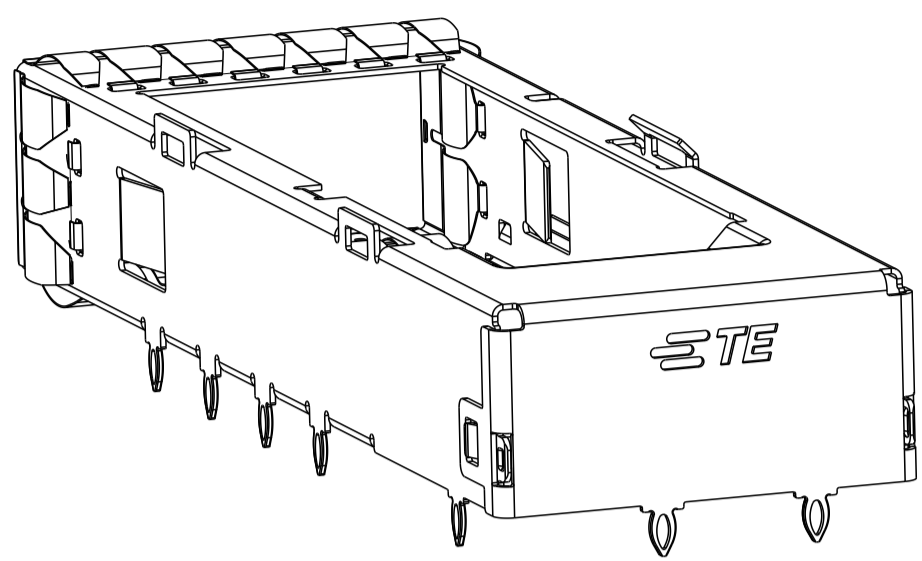
MATERIAL: FINISH: WEIGHT: CUSTOMER DRAWING

PRODUCT SPEC: 108-60122  
 APPLICATION SPEC: 114-60025

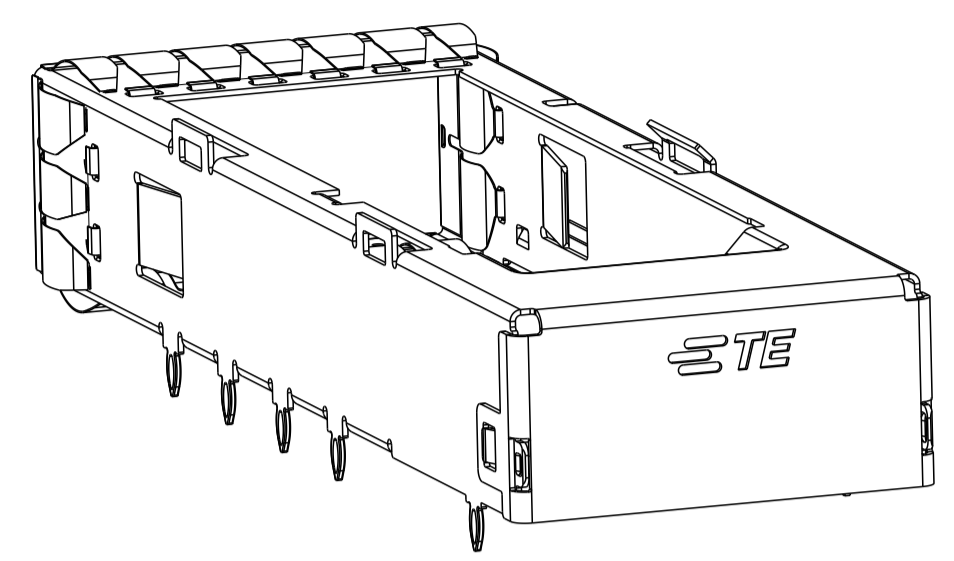
SIZE: A1  
 CAGE CODE: -  
 DRAWING NO: C=2385800\_C  
 RESTRICTED TO: -

SCALE: 2:1 SHEET 1 OF 6 REV: A3

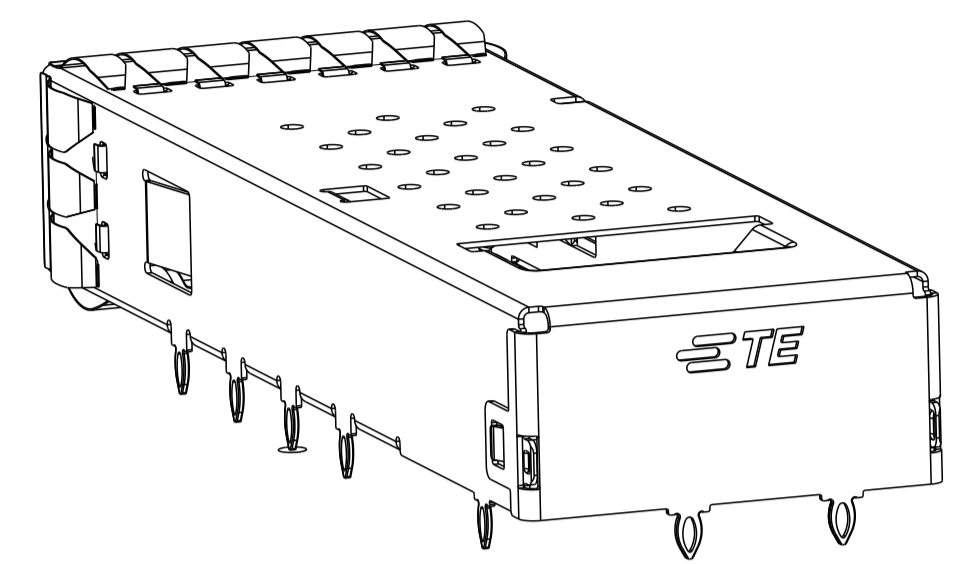
LOC		DIST		REVISIONS			
P	LTN	DESCRIPTION	DATE	DMN	APVD		
-	-	SEE SHEET 1	-	-	-		



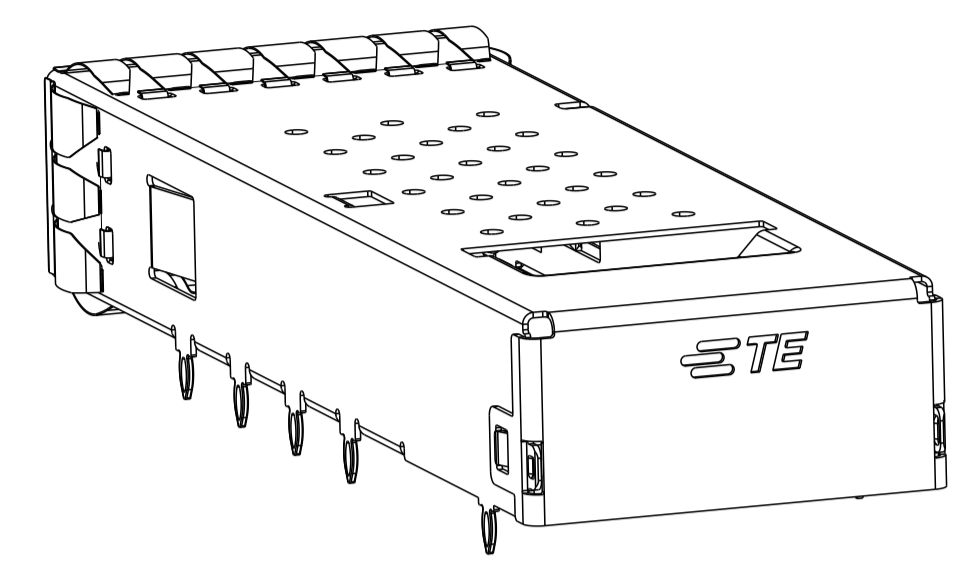
1-2385800-2 AS SHOWN  
 WITH HS OPENING  
 AND 2 REAR PINS  
 SCALE 3:1



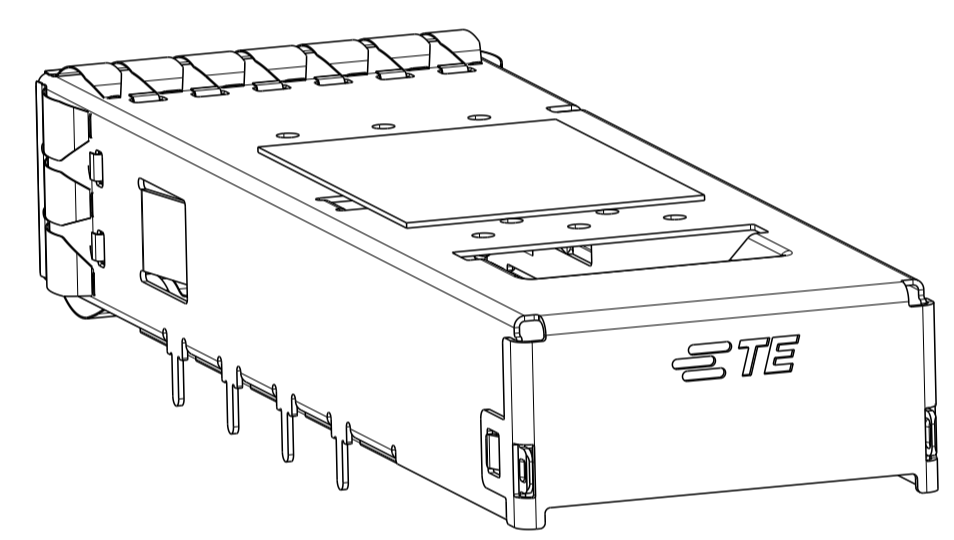
1-2385800-7 AS SHOWN  
 WITH HS OPENING  
 AND 0 REAR PINS  
 SCALE 3:1



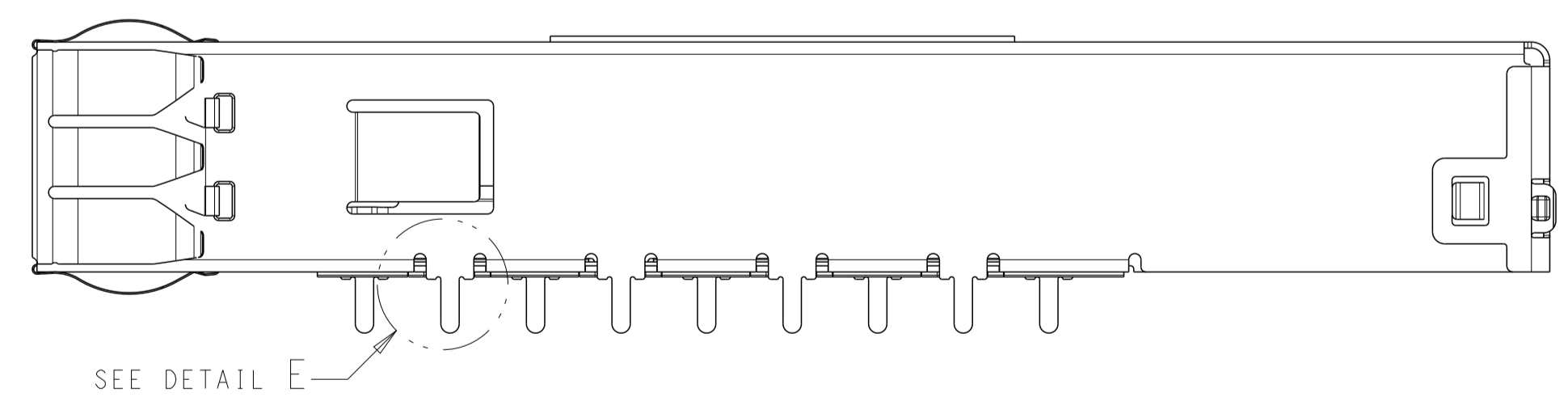
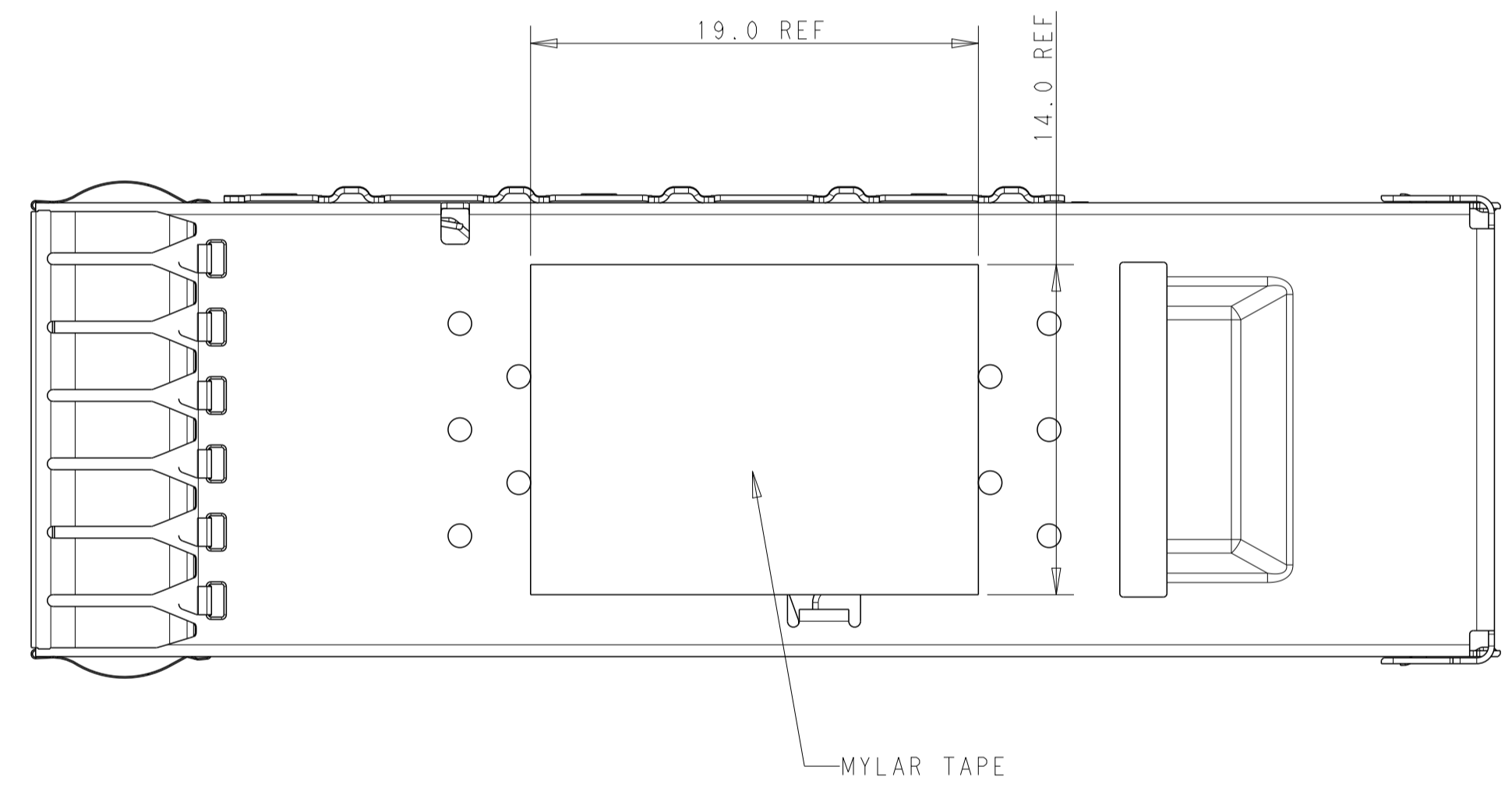
2385800-1 AS SHOWN  
 WITH CLOSED TOP  
 AND 2 REAR PINS  
 SCALE 3:1



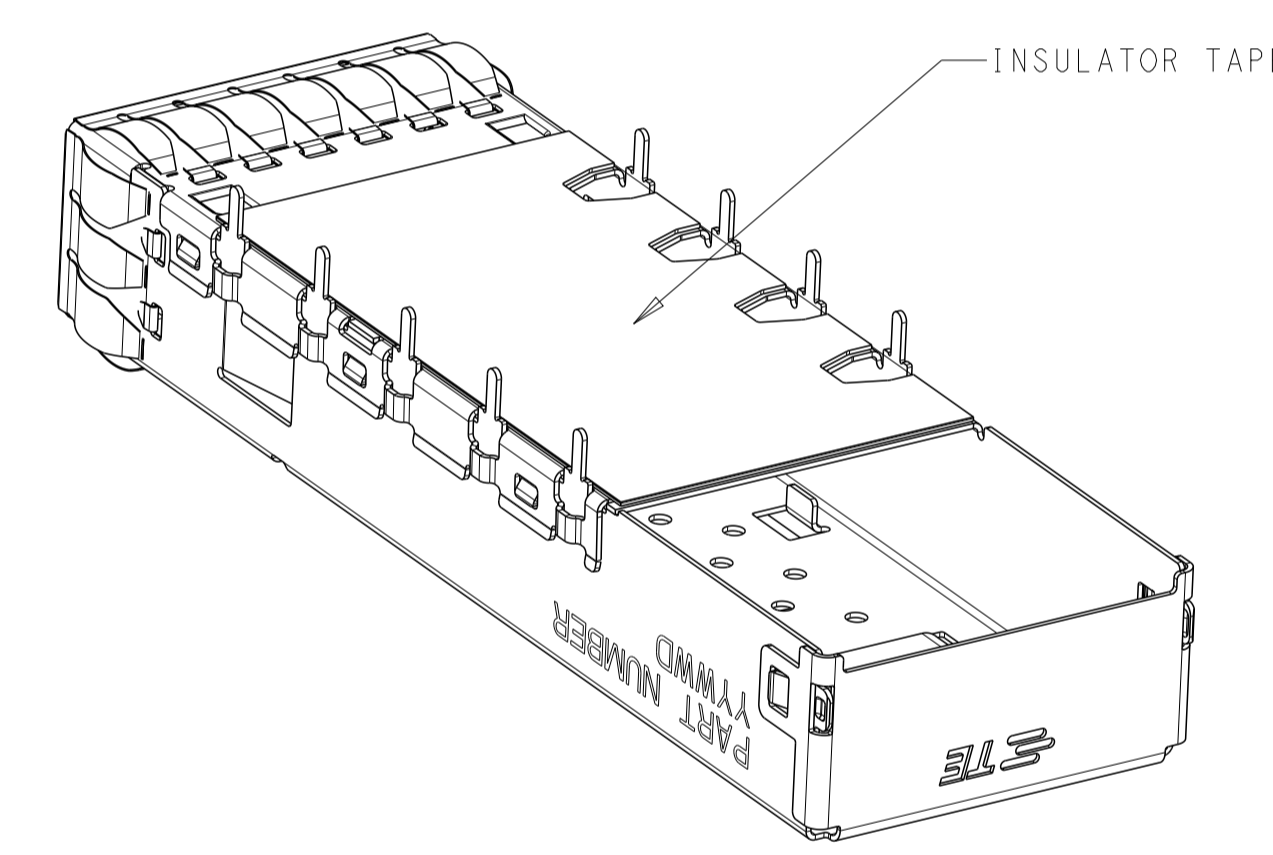
2-2385800-5 AS SHOWN  
 WITH CLOSED TOP  
 AND 0 REAR PINS  
 SCALE 3:1



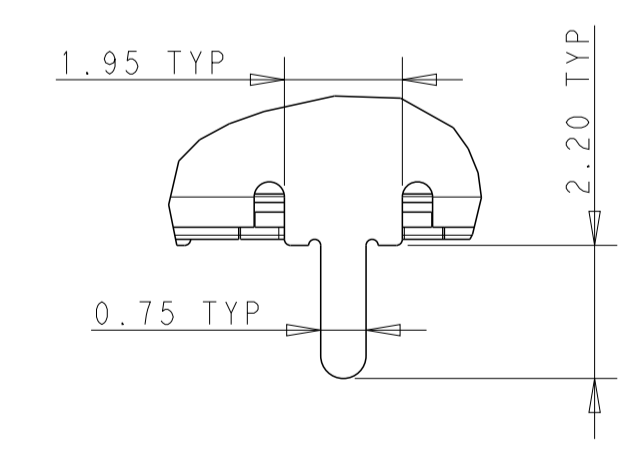
SCALE 4:1



3-2385800-8 AS SHOWN  
 WITH CLOSED TOP  
 0 REAR PINS  
 SOLDER PIN  
 INSULATOR TAPE  
 OTHERS ARE THE SAME AS 1-2385800-2  
 SCALE 3:1



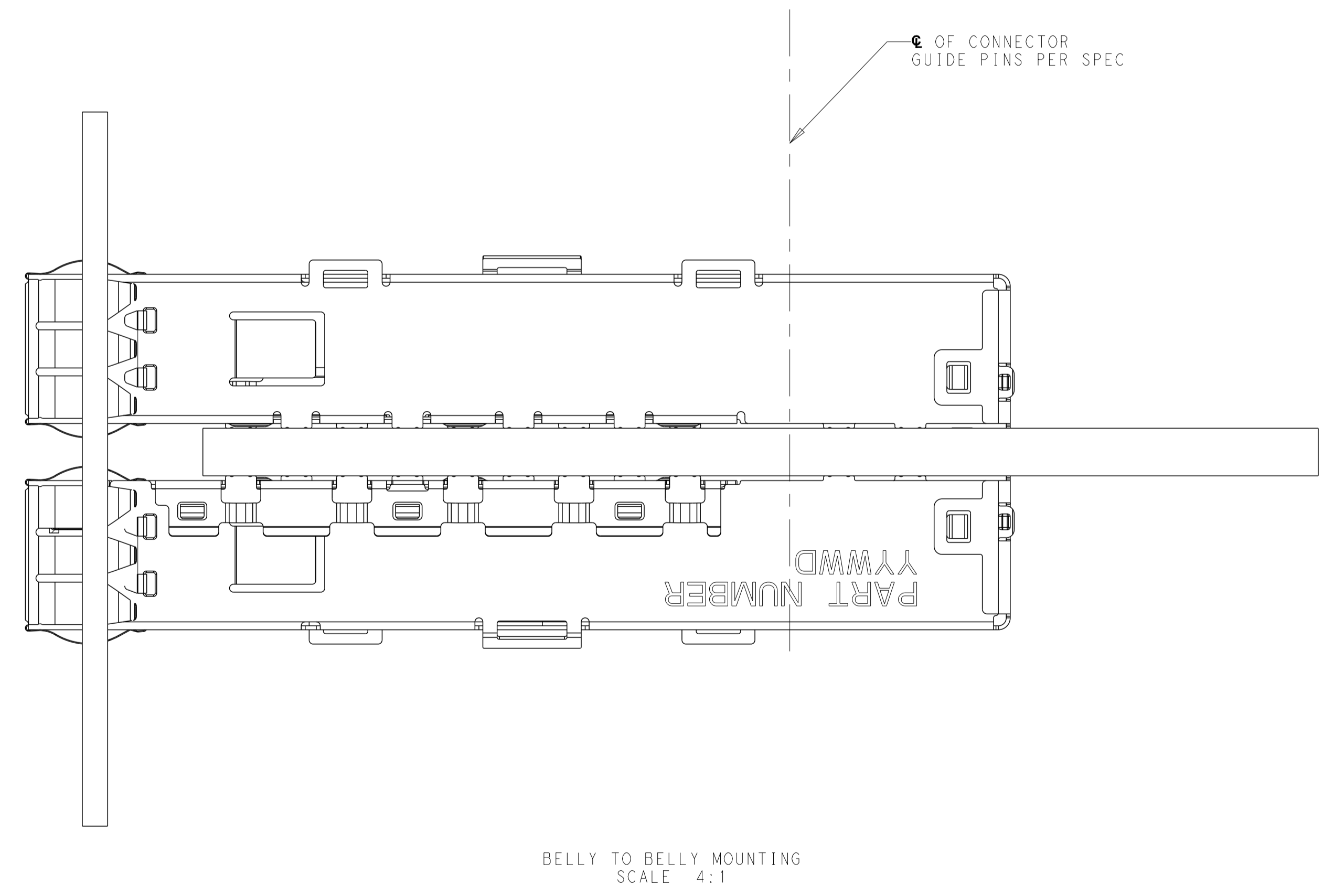
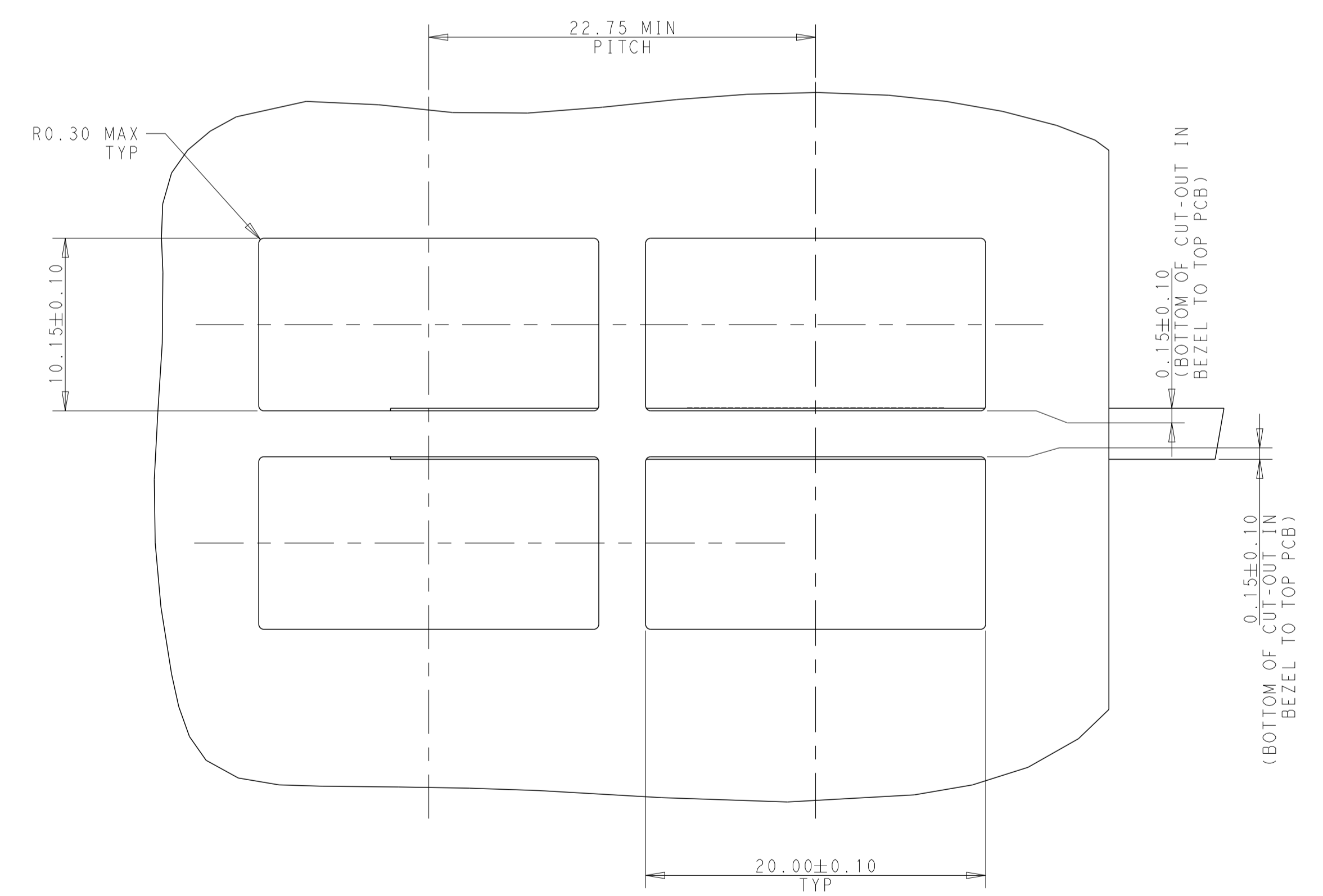
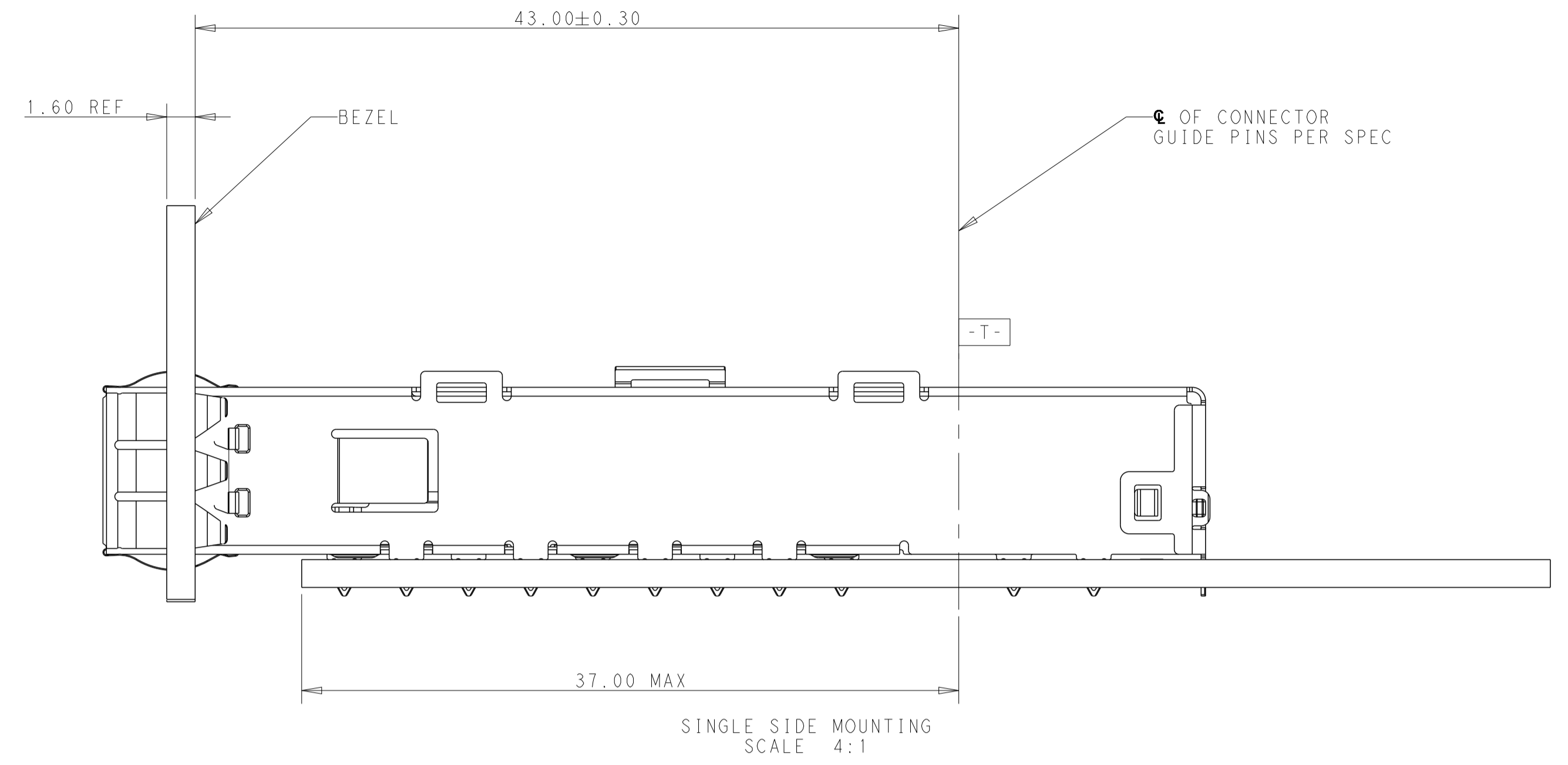
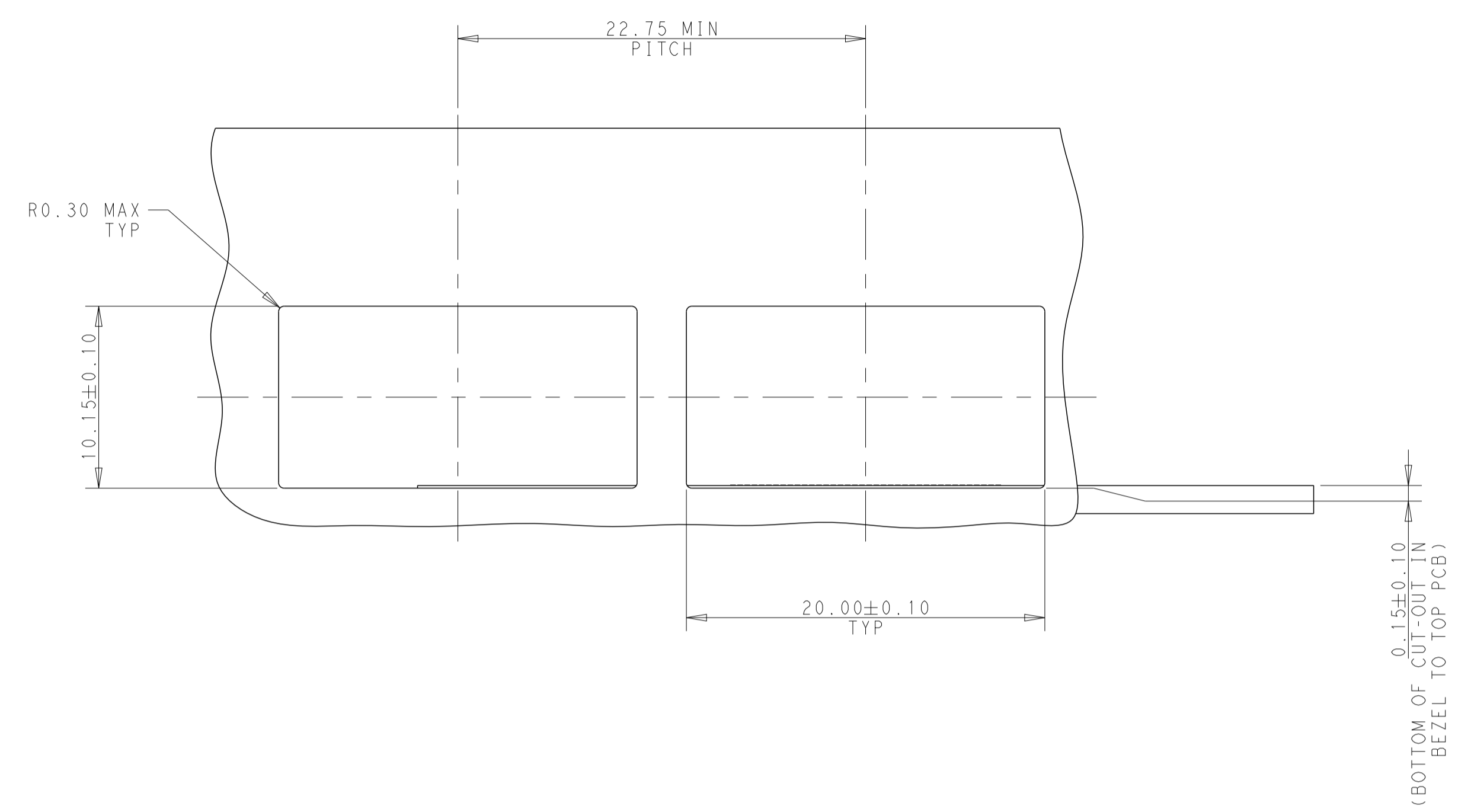
SCALE 3:1



DETAIL E  
 SCALE 8:1

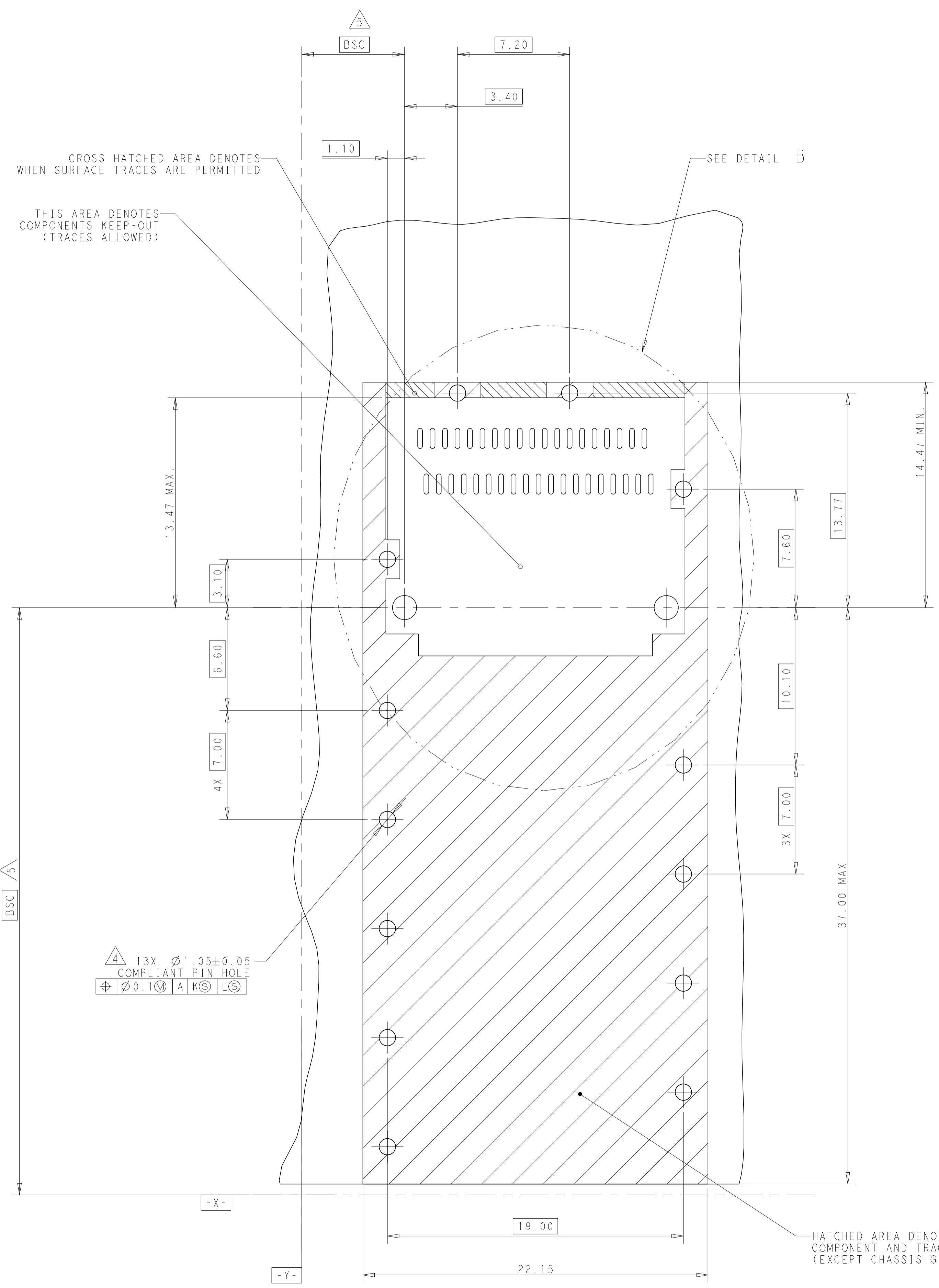
THIS DRAWING IS A CONTROLLED DOCUMENT.		DMN VINDY LIU 26 JAN 2021	TE Connectivity	
DIMENSIONS:		CHK SUNY ZHAO 26 JAN 2021	NAME	
TOLERANCES UNLESS OTHERWISE SPECIFIED:		APVD	CAGE ASSEMBLY, QSFP112 STANDARD 1X1, WITH EMI SPRING FINGER	
mm	0 PLC ±0.25 1 PLC ±0.25 2 PLC ±0.25 3 PLC ±0.10 4 PLC ±0.10 ANGLES ±°	PRODUCT SPEC 108-60122	SIZE	
MATERIAL		APPLICATION SPEC 114-60025	CAGE CODE A1	DRAWING NO. C=2385800_C
		WEIGHT	RESTRICTED TO	
		CUSTOMER DRAWING	SCALE 2:1	SHEET 2 OF 6
			REV A3	

LOC		DIST		REVISIONS			
P	LTN	DESCRIPTION	DATE	DMN	APVD		
-	-	SEE SHEET 1	-	-	-		

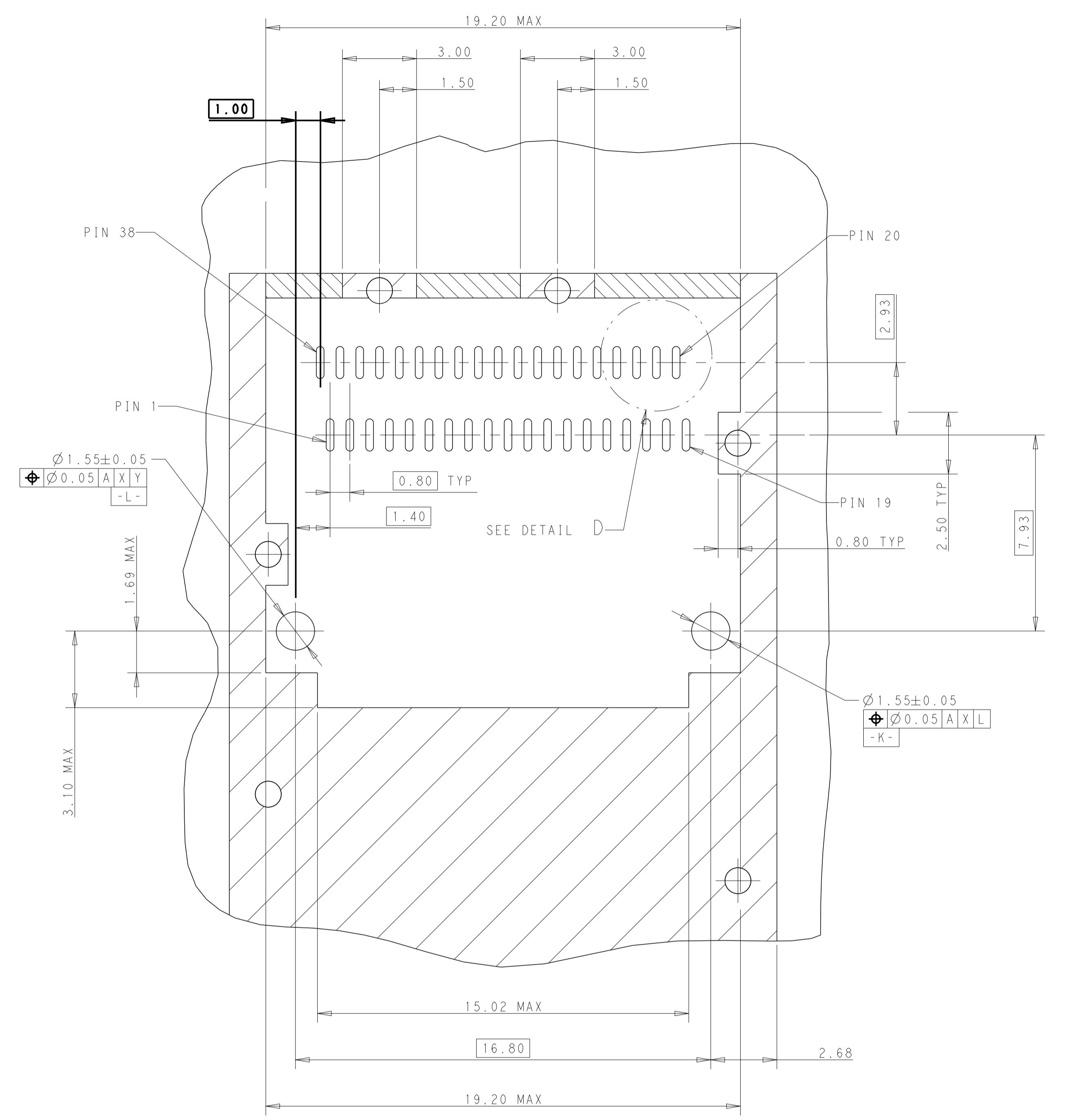


THIS DRAWING IS A CONTROLLED DOCUMENT.		DMN: VINDY LIU 26JAN2021	TE Connectivity
		CHK: SUNY ZHAO 26JAN2021	
DIMENSIONS:		NAME: CAGE ASSEMBLY, QSPF112 STANDARD 1X1, WITH EMI SPRING FINGER	
TOLERANCES UNLESS OTHERWISE SPECIFIED:		PRODUCT SPEC	
mm		108-60122	
0 PLC ±0.25		APPLICATION SPEC	
1 PLC ±0.25		114-60025	
2 PLC ±0.20		WEIGHT	
3 PLC ±0.10		114-60025	
4 PLC ±		SCALE 2:1 SHEET 3 OF 6 REV A3	
ANGLES FINISH		CUSTOMER DRAWING	

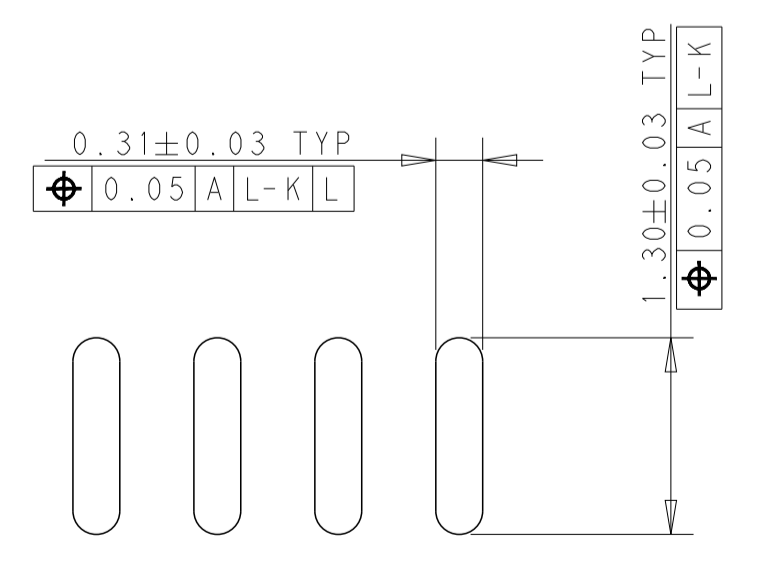
LOC	DIST	REV	DATE	BY	CHK	APPV
-	-	1	26 JAN 2021	VINDY LIU	SUNY ZHAO	



RECOMMENDED PCB LAYOUT  
 SINGLE TYPE OF 2 REAR HOLES OF LEGS  
 PCB TOLERANCE:  $\pm 0.05$   
 SCALE 6:1

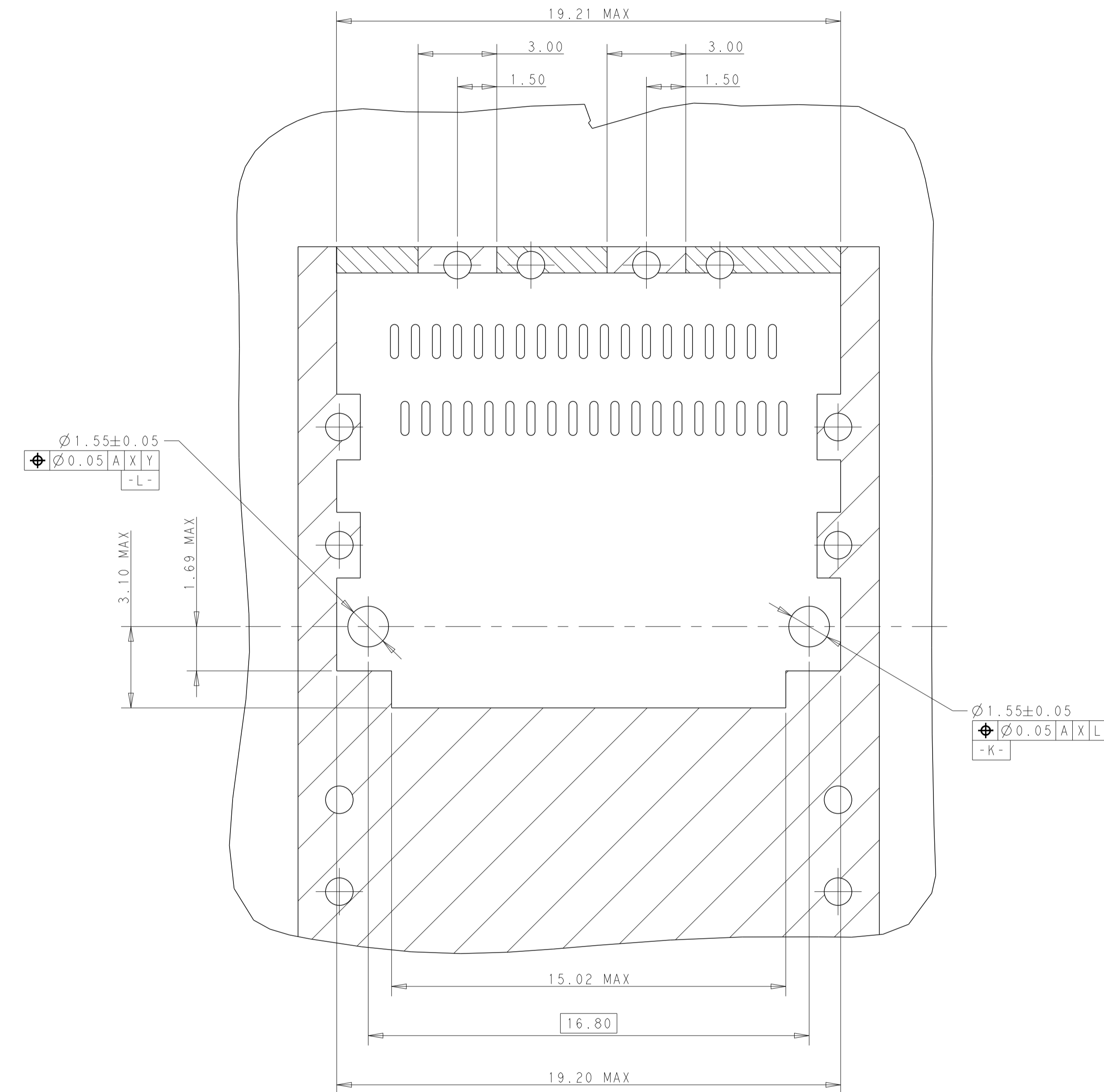
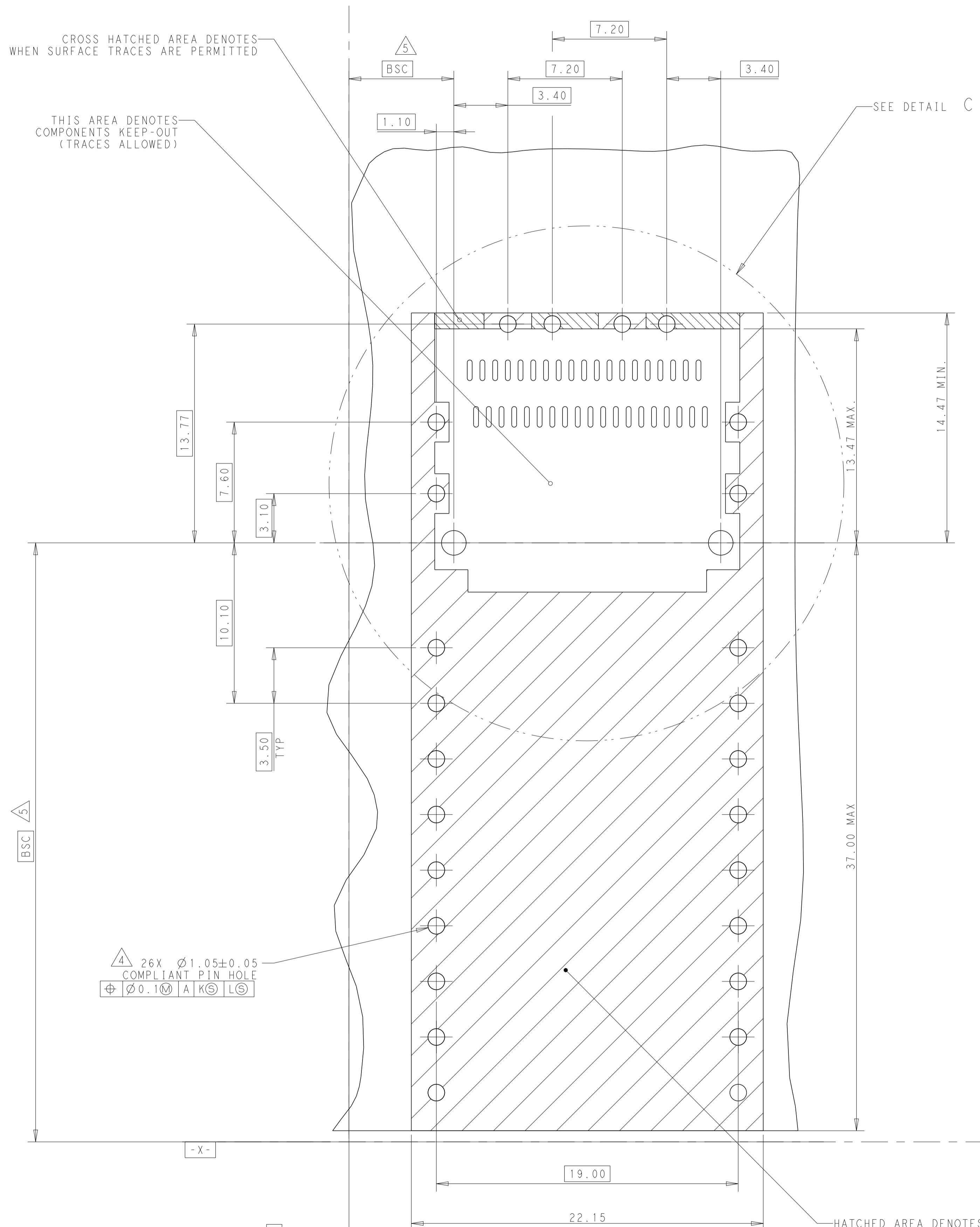


DETAIL B  
 SCALE 8:1



THIS DRAWING IS A CONTROLLED DOCUMENT.		DWN VINDY LIU 26 JAN 2021		DET SCALE 8:1		STE TE Connectivity	
DIMENSIONS: mm		TOLERANCES UNLESS OTHERWISE SPECIFIED:		PRODUCT SPEC		NAME	
MATERIAL		FINISH		APPLICATION SPEC		SIZE CAGE CODE DRAWING NO	
CUSTOMER DRAWING		SCALE 2:1		SHEET 4 OF 6		REV A3	

LOC	DIST	REV	DATE	BY	APPV
-	-	1	26 JAN 2021	SUNY ZHAO	



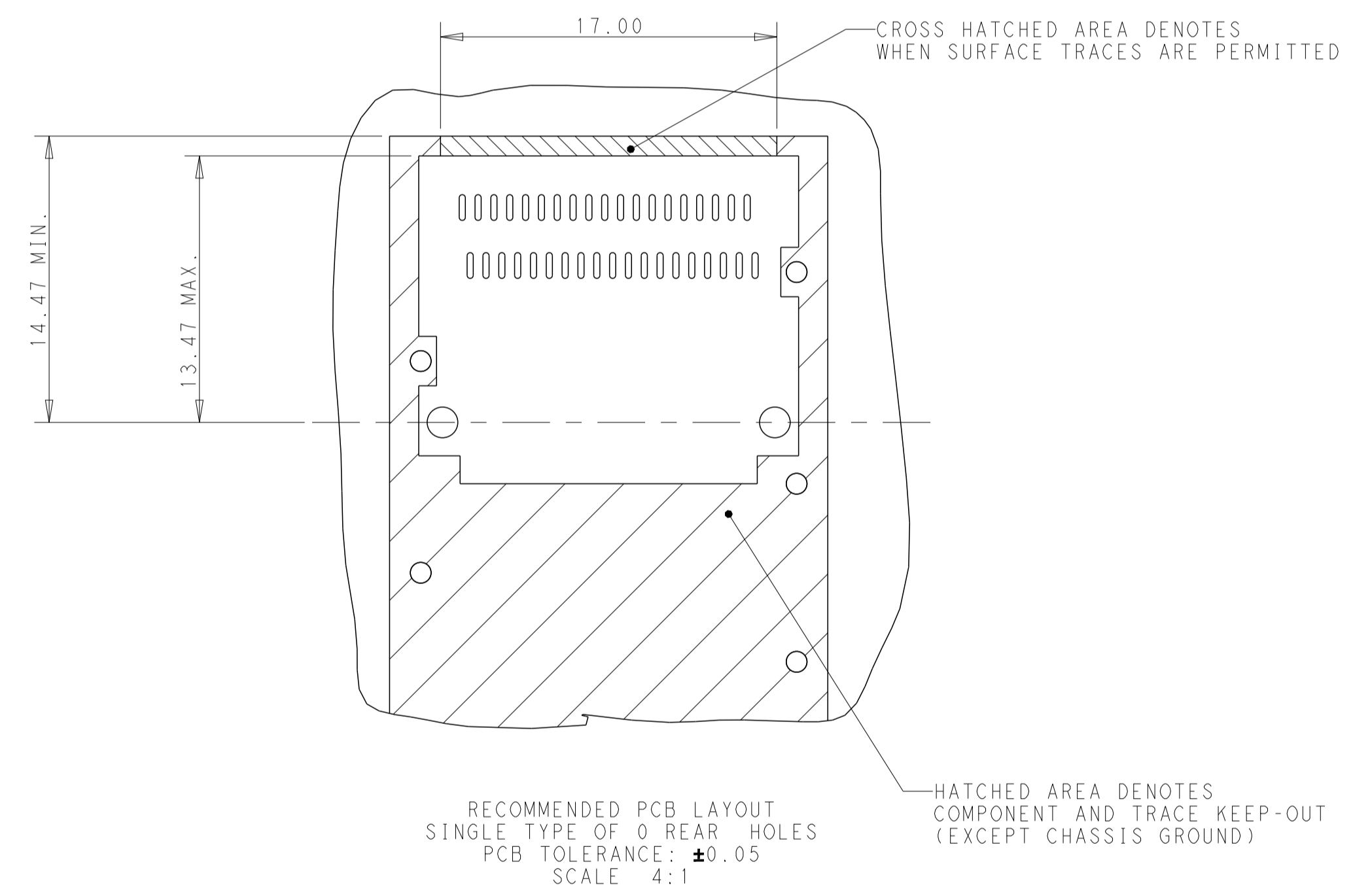
DETAIL C  
SCALE 8:1

RECOMMENDED PCB LAYOUT  
 BELLY TO BELLY TYPE OF 2 REAR HOLES OF LEGS  
 PCB TOLERANCE: ±0.05  
 SCALE 6:1

THIS DRAWING IS A CONTROLLED DOCUMENT.		DWN: VINDY LIU 26 JAN 2021	TE Connectivity
DIMENSIONS: mm		CHK: SUNY ZHAO 26 JAN 2021	
TOLERANCES UNLESS OTHERWISE SPECIFIED:		APVD:	NAME: CAGE ASSEMBLY, QSFP112 STANDARD 1X1, WITH EMI SPRING FINGER
0 PLC ±0.25	1 PLC ±0.25	PRODUCT SPEC: 108-60122	SIZE: A1
2 PLC ±0.20	3 PLC ±0.10	APPLICATION SPEC: 114-60025	CAGE CODE: C=2385800_C
4 PLC ±	ANGLES ±	WEIGHT: -	RESTRICTED TO: -
MATERIAL: -	FINISH: -	CUSTOMER DRAWING	SCALE: 2:1 SHEET 5 OF 6 REV: A3

THIS DRAWING IS UNPUBLISHED. RELEASED FOR PUBLICATION  
 © COPYRIGHT - ALL RIGHTS RESERVED.

LOC		DIST		REVISIONS			
P	LTN	DESCRIPTION	DATE	DMN	APVD		
-	-	SEE SHEET 1	-	-	-		



THIS DRAWING IS A CONTROLLED DOCUMENT.		DMN VINDY LIU 26 JAN 2021	TE Connectivity <b>NAME</b> CAGE ASSEMBLY, QSPF112 STANDARD 1X1, WITH EMI SPRING FINGER	
DIMENSIONS:		CHK SUNY ZHAO 26 JAN 2021		
mm	TOLERANCES UNLESS OTHERWISE SPECIFIED:	APVD	<b>PRODUCT SPEC</b> 108-60122 <b>APPLICATION SPEC</b> 114-60025	
 0 PLC ±0.25 1 PLC ±0.25 2 PLC ±0.20 3 PLC ±0.10 4 PLC ± ANGLES ±° FINISH ±		<b>SIZE</b> A1 <b>CAGE CODE</b> - <b>DRAWING NO</b> C=2385800_C <b>RESTRICTED TO</b> -	<b>SCALE</b> 2:1 <b>SHEET</b> 6 OF 6 <b>REV</b> A3	
MATERIAL		WEIGHT		CUSTOMER DRAWING