

Actuator

46-
2844.4EV0.005

Distribution by
DigiKey

DigiKey



<https://digikey.eao.com/p/46-2844.4EV0.005>

Your product:



46-2844.4EV0.005 Actuator

FRONT

Front form:	round
Front bezel material:	Aluminium
Front dimension:	Ø 35 mm
Front bezel colour:	Silver

MOUNTING

Mounting cut-out:	Ø 30.5 mm
Design:	flush

OPERATING-/INDICATION PART

Lever shape:	short
Lever bar colour:	White
Lever colour:	Black
Lever material:	plastic

ELECTRICAL CHARACTERISTICS

Protection class:	I
--------------------------	---

MECHANICAL CHARACTERISTIC

Tightening torque:	2 ... 3 Nm (17.7 ... 26.6 Lb-in)
Switching action:	Rest - Momentary
Weight:	0.039 kg

Mechanical lifetime: 1 Mio. cycles of operation
Switching positions: 2 positions
Switching angle: 45° right

AMBIENT CONDITION

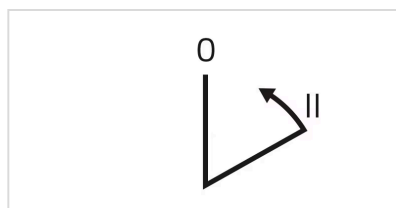
IK front protection: IK04
Vibration resistance: 5g f= 2...500Hz (EN-IEC 60068-2-6)
Shock resistance: 30g, 18ms (EN-IEC 60068-2-27)
50g, 11ms (EN-IEC 60068-2-27)
Climate resistance: +25°C-97%RH / +45°C-93%RH (IEC-EN60068-2-30)
Operating temperature: - 25 °C ... + 55 °C
IP front protection: IP65

CERTIFICATE

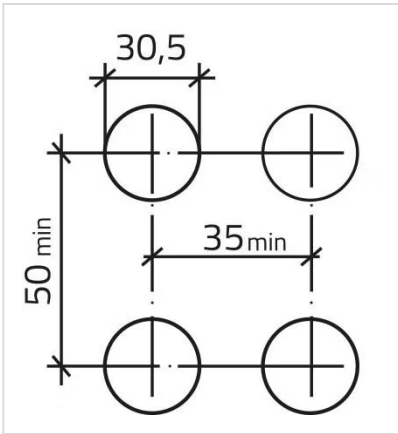
Standards: CSA C22-2, IEC EN 60947-1, IEC EN 60947-5-1, UL508
Approbations: CSA, UL
Conformities: CE

OTHER

Short Description: Actuator, Ø 30.5 mm, Ø 35 mm, non illuminative, Black, short, round, Silver, Aluminium, Rest - Momentary, IP65, IK04
Housing colour: Black
max. number of switching elements: 6
Housing material: Plastic
Switching positions:



Mounting cut-outs:



Dimension drawings:

