



Kilovac | Kilovac LEV100

TE Internal #: 9-1618389-8

Contact Arrangement 1 Form X SPST-NO-DM, 22 AWG Wire Size, .34 mm<sup>2</sup> Wire Size, 100A Contact Current Rating, Kilovac LEV100, DC Contactors

[View on TE.com >](#)

Relays & Contactors > Contactors > Mil-Aero Contactors > DC Contactors



Contact Arrangement: **1 Form X SPST-NO-DM**

Wire Size: **.34 mm<sup>2</sup>**

Contact Current Rating: **100 A**

Coil Resistance: **96 Ω**

## Features

### Configuration Features

Auxiliary Switch Contact Arrangement	None
Contact Arrangement	1 Form X SPST-NO-DM
Contact Number of Poles	1

### Electrical Characteristics

Contact Current Rating	100 A
Coil Resistance	96 Ω
Coil Voltage Rating	24 VDC
Contact Switching Voltage (Max)	900 VDC

### Body Features

Enclosure Type	Sealed
----------------	--------

### Termination Features

Main Termination & Connection Type	M5 Female
Coil Termination & Connection Type	Connector

### Mechanical Attachment

Torque (Main)	30 – 40 in-lbs
Product Mount Type	Chassis

### Dimensions

Coil Wire Length	381 mm[15 in]
------------------	---------------



Wire Size .34 mm<sup>2</sup>

**Operation/Application**

Current Type DC

**Packaging Features**

Packaging Method Individual

**Product Compliance**

[For compliance documentation, visit the product page on TE.com>](#)

EU RoHS Directive 2011/65/EU Compliant with Exemptions

EU ELV Directive 2000/53/EC Compliant

China RoHS 2 Directive MIIT Order No 32, 2016 Restricted Materials Above Threshold

EU REACH Regulation (EC) No. 1907/2006  
 Current ECHA Candidate List: JUNE 2024 (241)  
 Candidate List Declared Against: JAN 2022 (223)  
 SVHC > Threshold:  
 Pb (.35% in Component)  
**Article Safe Usage Statements:**  
 Do not eat, drink or smoke when using this product. Wash thoroughly after handling. Recycle if possible and dispose of the article by following all applicable governmental regulations relevant to your geographic location.

Halogen Content Low Halogen - Br, Cl, F, I < 900 ppm per homogenous material. Also BFR/CFR/PVC Free

Solder Process Capability Not applicable for solder process capability

Product Compliance Disclaimer

This information is provided based on reasonable inquiry of our suppliers and represents our current actual knowledge based on the information they provided. This information is subject to change. The part numbers that TE has identified as EU RoHS compliant have a maximum concentration of 0.1% by weight in homogenous materials for lead, hexavalent chromium, mercury, PBB, PBDE, DBP, BBP, DEHP, DIBP, and 0.01% for cadmium, or qualify for an exemption to these limits as defined in the Annexes of Directive 2011/65/EU (RoHS2). Finished electrical and electronic equipment products will be CE marked as required by Directive 2011/65/EU. Components may not be CE marked. Additionally, the part numbers that TE has identified as EU ELV compliant have a maximum concentration of 0.1% by weight in homogenous materials for lead, hexavalent chromium, and mercury, and 0.01% for cadmium, or qualify for an exemption to these limits as defined in the Annexes of Directive 2000/53/EC (ELV). Regarding the REACH Regulation, the information TE provides on SVHC in articles for this part number is based on the latest European Chemicals Agency (ECHA) 'Guidance on requirements for substances in articles' posted at this URL: <https://echa.europa.eu/guidance-documents/guidance-on-reach>

**Compatible Parts**



TE Part # 8-1618406-3  
EV202ASAND=Relay, DPST-NO 28V



TE Part # 5-1618388-5  
LEV200H5ANA=RELAY, SPST-NO



TE Part # 4-1618413-9  
EV600HSANM = CONTACTOR, SPST-NO 24V COIL



TE Part # 6-1618388-7  
LEV200H5ANF=RELAY, SPST-NO



TE Part # 9-1618407-9  
LEV100H5CNH=CONTACTOR WITH AUX, SPST



TE Part # CAT-DC-K1K-CONT  
SPST: Kilovac K1K DC Contactors; Bi-directional Switching



TE Part # 7-1618387-1  
LEV200A5ANA=RELAY, SPST-NO



TE Part # 4-1618391-1  
LEV100A5ANH=RELAY,SPST-NO 24VDC VMT 15



TE Part # 1618408-2  
LEV100H5CNG = CONTACTOR WITH AUX SPST



TE Part # 1618412-8  
LEV100H5ANG=CONTACTOR WITH AUX SPST,15"



TE Part # 4-1618388-6  
LEV200A5NAA=RELAY, SPST-NO



TE Part # 5-1618387-7  
LEV200A5NAF=RELAY, 24Vdc SPST NO



TE Part # 4-1618387-1  
EV200HRANA=RELAY, SPST-NO



TE Part # 6-1618400-4  
LEV100A7ANG=RELAY, 28Vdc SPST-NO

Also in the Series | Kilovac LEV100



DC Contactors(11)



High Voltage Relays(2)

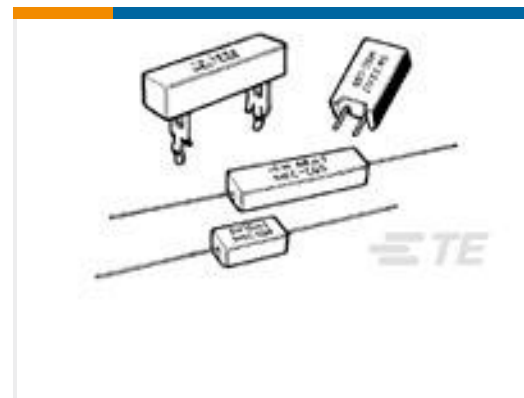
Customers Also Bought




TE Part #1558665-7  
T9GS5L14-24



TE Part #6-1625984-8  
HSA50 560R 1%



TE Part #1879556-1  
SQH40 160R 5% 6.35MM FASTON



TE Part #7-2176398-0  
3502 10M 1%



TE Part #3-2176346-4  
CRGCQ 1210 330K 5%



TE Part #1-2286937-6  
2POS,HVP800,180 DEG,50 SQMM, COD A,CS



TE Part #1-2286945-5  
2POS,HVP800,90 DEG,50 SQMM,COD A



TE Part #4-1618414-4  
LEV200AKNAA=RELAY, SPST-NO A



TE Part #AS624-29PN  
PLUG BOOT TERMIN'N TYPE 6



TE Part #156082-000  
HRHT-4/3

## Documents

### CAD Files

3D PDF

3D

Customer View Model

[ENG\\_CVM\\_CVM\\_9-1618389-8\\_E.2d\\_dxf.zip](#)

English

Customer View Model

[ENG\\_CVM\\_CVM\\_9-1618389-8\\_E.3d\\_igs.zip](#)

English

Customer View Model

[ENG\\_CVM\\_CVM\\_9-1618389-8\\_E.3d\\_stp.zip](#)

English

By downloading the CAD file I accept and agree to the [Terms and Conditions](#) of use.

### Datasheets & Catalog Pages

[Kilovac LEV100 Series 900 Vdc Contactor](#)

English