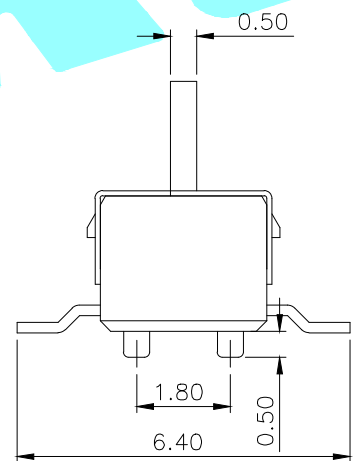
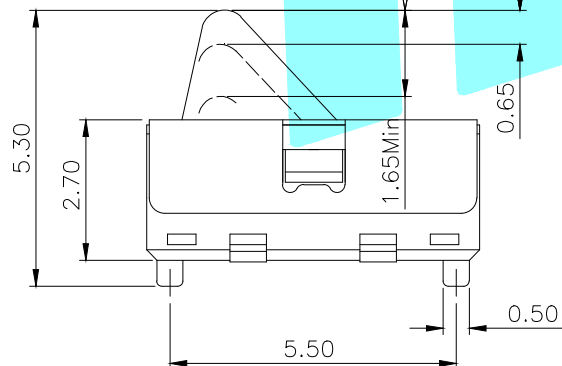


CIRCUIT DIAGRAM

ON STARTING POSITION

TOTAL TRAVEL POSITION



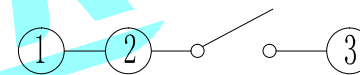
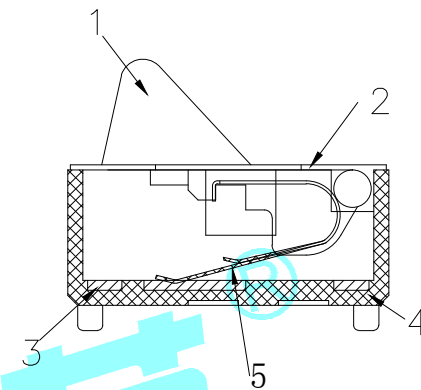
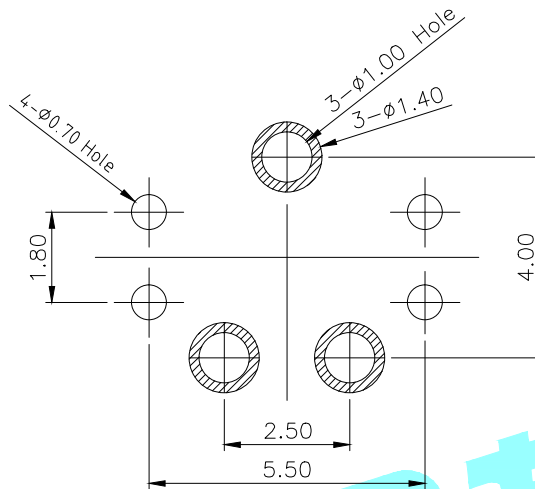
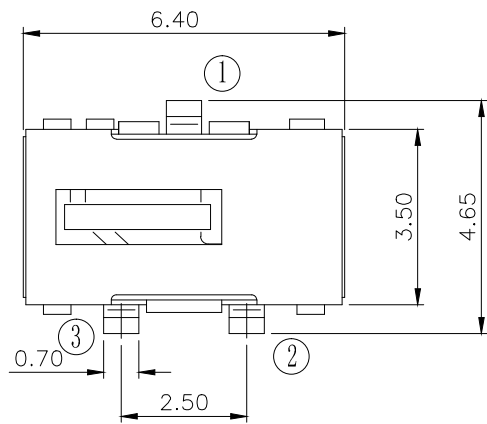
PCB LAND DIMENSION

NOTE:
 Rating: DC 12V 0.1A
 Operating Force: 50±15gf
 Lifetime: 50,000 Cycles
 Travel: 0.60±0.25mm

| ITEM | PART NAME | TER'NO. | QTY. | MATERIAL | FINISHING | REMARK |
|------|-----------|---------|------|-----------------|-----------|--------|
| ⑤ | Spring | — | 1 | SUS | Natural | — |
| ④ | Base | — | 1 | PA46 | Black | — |
| ③ | Terminal | — | 4 | Phosphor Bronze | Ag Plated | — |
| ② | Cover | — | 1 | SUS | Natural | — |
| ① | KnOb | — | 1 | PA46 | Black | — |

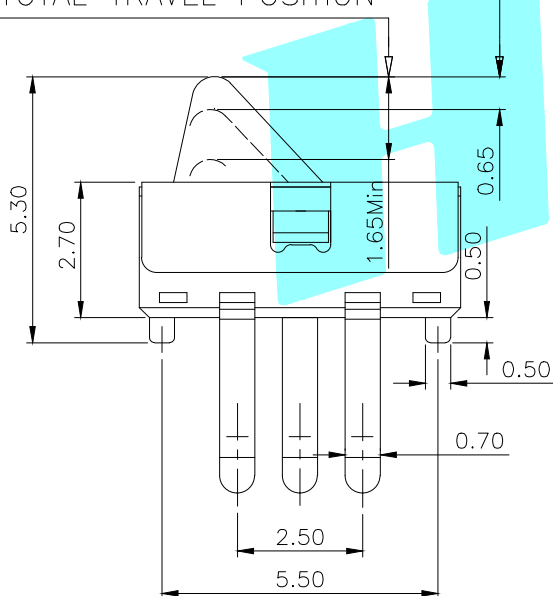
| | | | | | | |
|----------------|--------|------------|--------------|--------------------------|-------------|------------|
| APPROVALS | | DATE | | | | |
| DRAWN | LIUCAN | 2020/10/17 | | | | |
| CHECKED | | | | TITLE: DETECTOR SWITCHES | | |
| APPROVALS | | | | PART NO. K5-1217SA-02 | | |
| TOLERANCES ARE | | | 30~以上: ±0.30 | ANGLE | UNIT: mm | SCALE: 1:1 |
| | | | 10~30: ±0.20 | | | |
| | | | 5~10: ±0.15 | ±2' | DRAWING NO. | PROJ: |
| | | | ~ 5: ±0.10 | | | |
| SHEET 1 OF 1 | | | | | | |

| ECN NO. | REV. | DATE. | DESCRIPTION. | CHANGE. | CHECK. | APPRO. |
|---------|------|-------|--------------|---------|--------|--------|
| — | A | — | NEW | — | — | — |

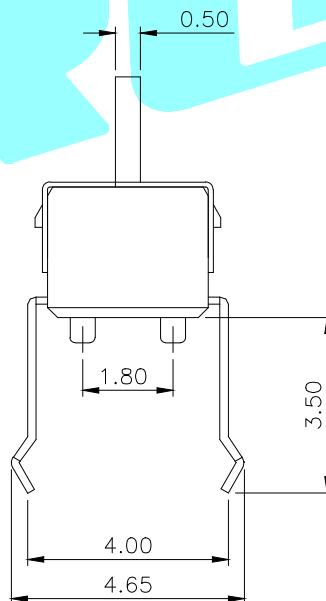


ON STARTING POSITION

TOTAL TRAVEL POSITION



PCB LAND DIMENSION



CIRCUIT DIAGRAM

NOTE:

Rating: DC 12V 0.1A

Operating Force: 50±15gf

Lifetime: 50,000 Cycles

Travel: 0.60±0.25mm

| ⑤ | Spring | — | 1 | SUS | Natural | — |
|------|-----------|---------|------|-----------------|-----------|--------|
| ④ | Base | — | 1 | PA46 | Black | — |
| ③ | Terminal | — | 4 | Phosphor Bronze | Ag Plated | — |
| ② | Cover | — | 1 | SUS | Natural | — |
| ① | KnOb | — | 1 | PA46 | Black | — |
| ITEM | PART NAME | TER'NO. | QTY. | MATERIAL | FINISHING | REMARK |

| | | | | | | |
|----------------|--------|-------------------------------|----------------------------------|--------------------------|----------|------------|
| APPROVALS | | DATE | | ELECTRONICS CO.,LTD | | |
| DRAWN | LIUCAN | 2020.12.18 | | | | |
| CHECKED | | | | TITLE: DETECTOR SWITCHES | | |
| APPROVALS | | | | PART NO. K5-1217DA-02 | | |
| TOLERANCES ARE | | 30~以上 10~30 5~10 ~ 5 | ±0.30 ±0.20 ±0.15 ±0.10 | ANGLE | UNIT: mm | SCALE: 1:1 |
| ECN NO. | REV. | DATE. | NEW DESCRIPTION. | CHANGE. | CHECK. | APPRO. |
| DRAWING NO. | | PROJECT | | SHEET 1 OF 1 | | |

| | | | | | | |
|---------|------|-------|------------------|---------|--------|--------|
| ECN NO. | REV. | DATE. | NEW DESCRIPTION. | CHANGE. | CHECK. | APPRO. |
|---------|------|-------|------------------|---------|--------|--------|