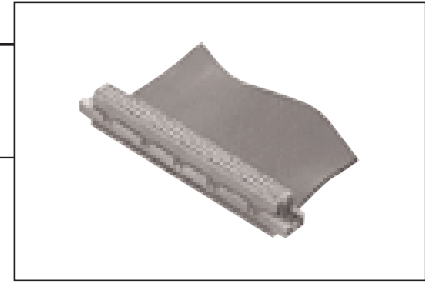
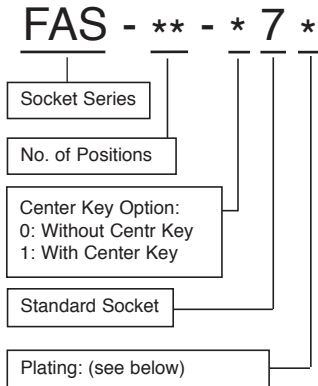


FAS SERIES



ORDERING INFORMATION



Characteristics

Current Rating:	1A
Insulation Resistance:	1,000M Minimum at 500 VDC
Withstanding Voltage:	1000 VAC for 1 minute
Contact Resistance:	30m Max. at 10mA
Operating Temperature:	-20°C ~ +105°C

Material and Finish

Insulator:	High Temp Thermoplastic-UL94V-0
Contact:	Copper Alloy
Plating:	Mating Face Contacts: Au over Ni Terminals: Au over Ni
Accessories:	Strain reliefs (see page 86)

Features

1. IDC contact allows termination of 0.635mm pitch cable
2. Strain relief prevents kinking and caving
3. Central polarizing key

TYPES OF PLATING

FAS Series

Plating Type	Plating Type	Mating Face	Terminals
	Ni 2.5 ~ 4.5 µm	Au 0.30 µm Min.	Au 0.05 µm Min.

CONNECTOR DIMENSIONS (reference only)

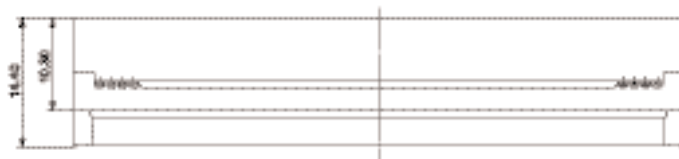
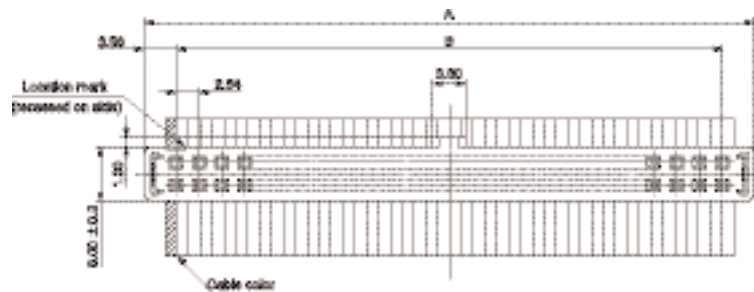
FAS Series

Part Number	No. of Positions	Pitch	A	B
FAS-10-*7	10	2.54 mm	17.28	10.16
FAS-16-*7	16	2.54 mm	24.90	17.78
FAS-20-*7	20	2.54 mm	29.98	22.86
FAS-26-*7	26	2.54 mm	37.60	30.48
FAS-34-*7	34	2.54 mm	47.76	40.64
FAS-40-*7	40	2.54 mm	55.38	48.26
FAS-50-*7	50	2.54 mm	68.08	60.96
FAS-60-*7	60	2.54 mm	80.78	73.99
FAS-64-*7	64	2.54 mm	85.86	78.74

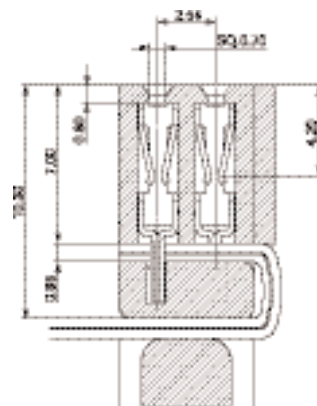
FAS SERIES

APPLICABLE DIMENSIONS (reference only)

Connector Outline Dimensions



Contact Detail



FA Connectors