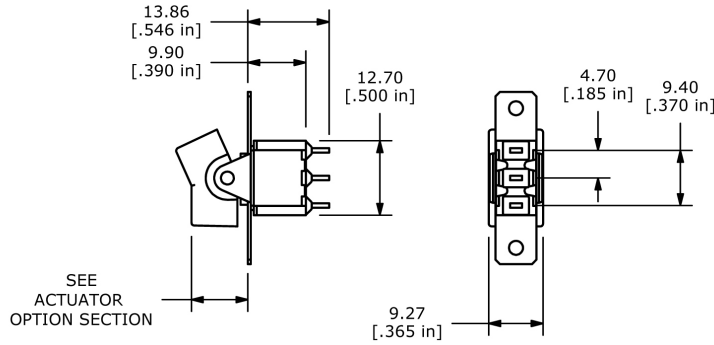


300 SERIES ROCKER SWITCH

Switch Functions

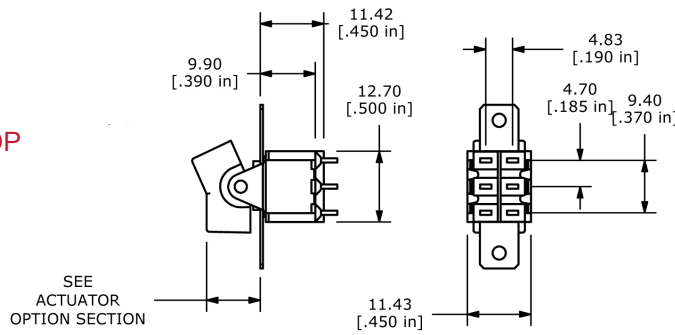
() = momentary

Single Pole - SP



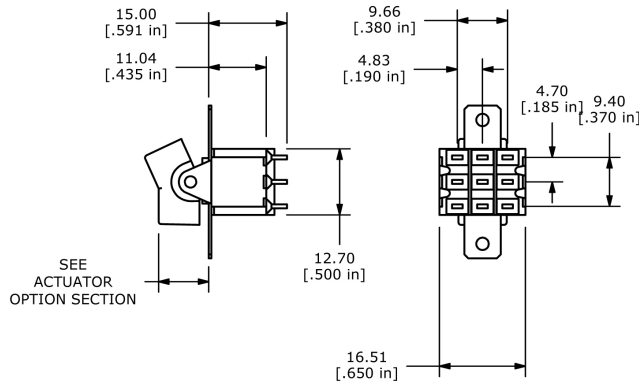
MODEL NO.	POS. 1	POS. 2	POS. 3
SP1	ON	NONE	ON
SP2	ON	NONE	(ON)
SP3	ON	OFF	ON
SP4	(ON)	OFF	(ON)
SP5	ON	OFF	(ON)
Term. Comm.	2-3	OPEN	2-1

Double Pole - DP



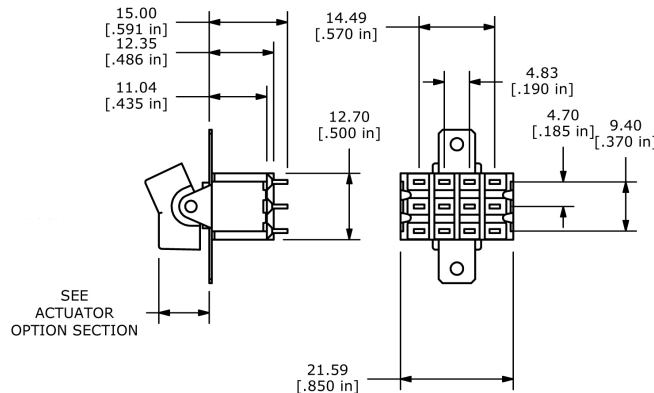
MODEL NO.	POS. 1	POS. 2	POS. 3
DP1	ON	NONE	ON
DP2	ON	NONE	(ON)
DP3	ON	OFF	ON
DP4	(ON)	OFF	(ON)
DP5	ON	OFF	(ON)
DP7	ON	ON	(ON)
DP8	(ON)	ON	(ON)
Term. Comm.	2-3, 5-6	OPEN	2-1, 5-4
Term. Comm.	2-3, 5-6	2-3, 5-4	2-1, 5-4

Triple Pole - 3P



MODEL NO.	POS. 1	POS. 2	POS. 3
3P1	ON	NONE	ON
3P2	ON	NONE	(ON)
3P3	ON	OFF	ON
3P4	(ON)	OFF	(ON)
3P5	ON	OFF	(ON)
Term. Comm.	2-3, 5-6, 8-9	OPEN	2-1, 5-4, 8-7

Four Pole - 4P



MODEL NO.	POS. 1	POS. 2	POS. 3
4P1	ON	NONE	ON
4P2	ON	NONE	(ON)
4P3	ON	OFF	ON
4P4	(ON)	OFF	(ON)
4P5	ON	OFF	(ON)
Term. Comm.	2-3, 5-6, 8-9, 11-12	OPEN	2-1, 5-4, 8-7, 11-10
4P6	ON	ON	ON
Term. Comm.	2-3, 5-6, 8-9, 11-12	2-3, 5-4, 8-9, 11-10	2-1, 5-4, 8-7, 11-10

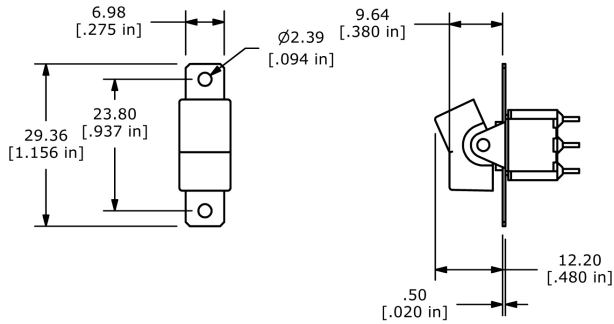


ANTI-VANDAL SWITCHES
DETECTOR SWITCHES
DIP SWITCHES
KEYLOCK SWITCHES
NAVIGATION SWITCHES
PUSHBUTTON SWITCHES
ROCKER SWITCHES
ROTARY SWITCHES
SLIDE SWITCHES
SNAP ACTION SWITCHES
TACTILE SWITCHES
TOGGLE SWITCHES
CAP OPTIONS

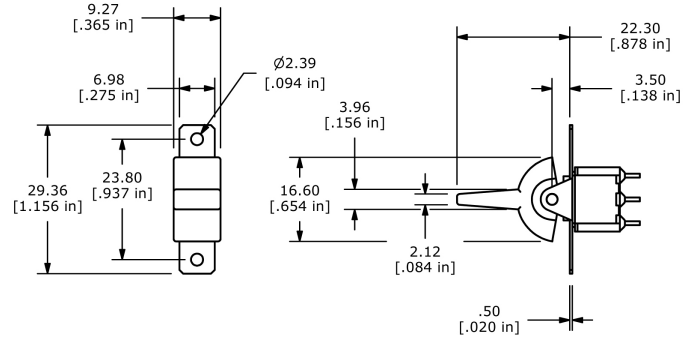
300 SERIES ROCKER SWITCH

Panel Mount Actuator

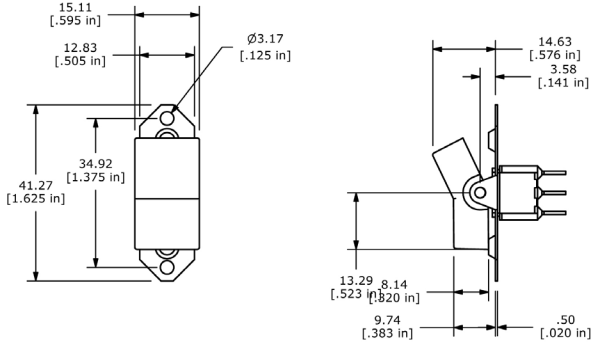
R1 Actuator



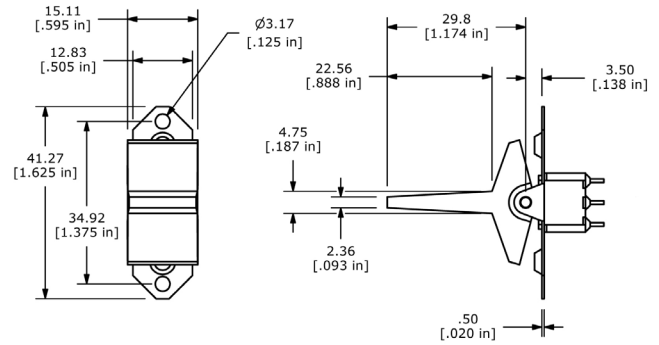
R2 Actuator



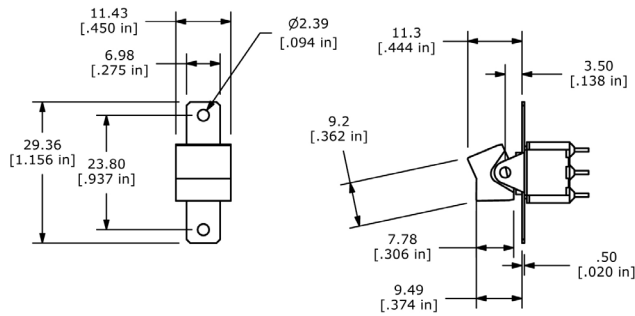
R3 Actuator



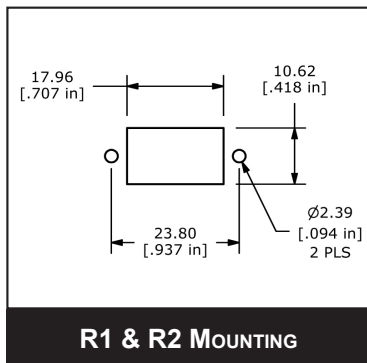
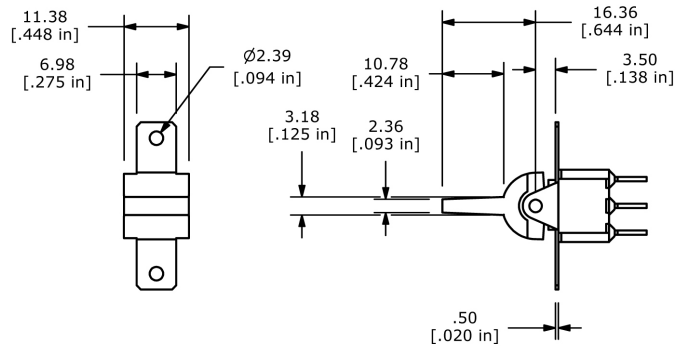
R4 Actuator



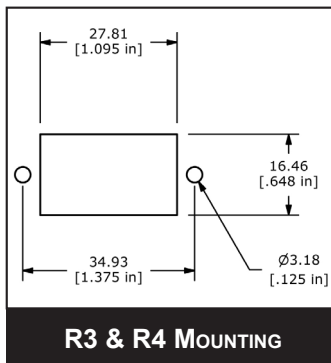
R11 Actuator



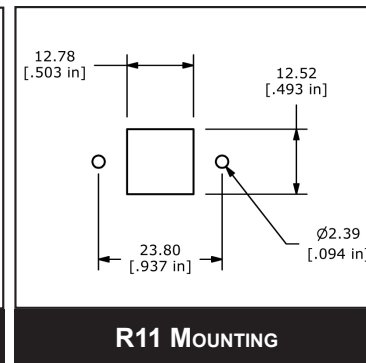
R16 Actuator



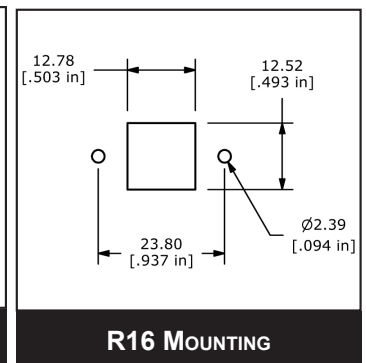
R1 & R2 MOUNTING



R3 & R4 MOUNTING



R11 MOUNTING



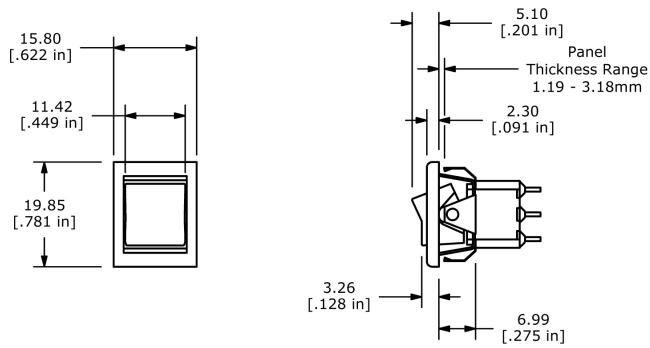
R16 MOUNTING



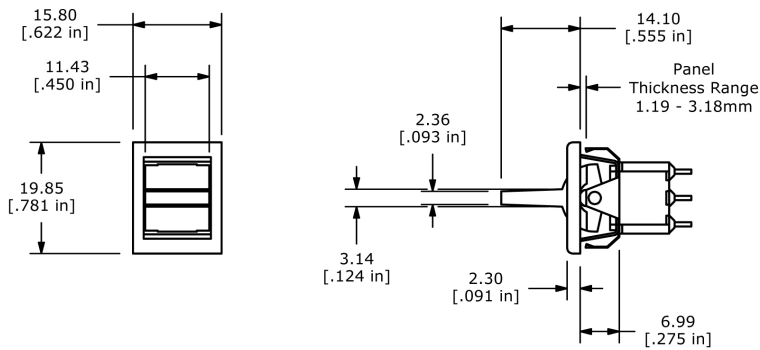
300 SERIES ROCKER SWITCH

Snap-in Panel Mount Actuator

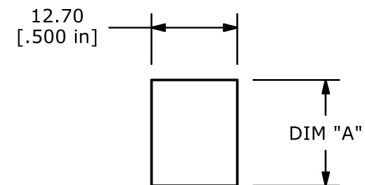
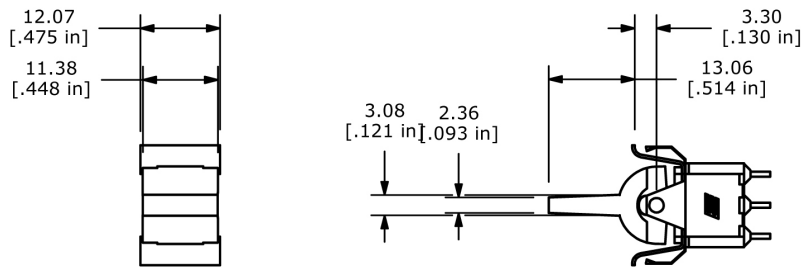
R6 Actuator



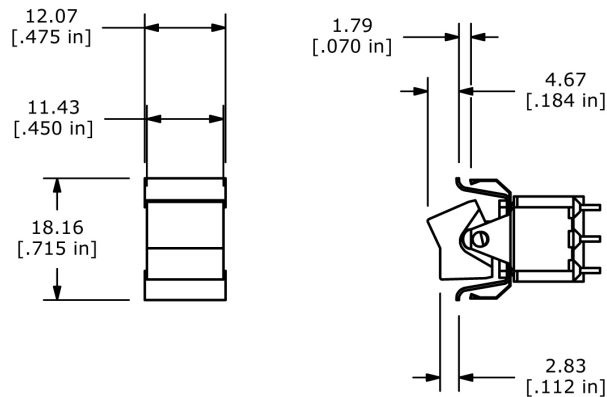
R7 Actuator



R8 Actuator



R9 Actuator



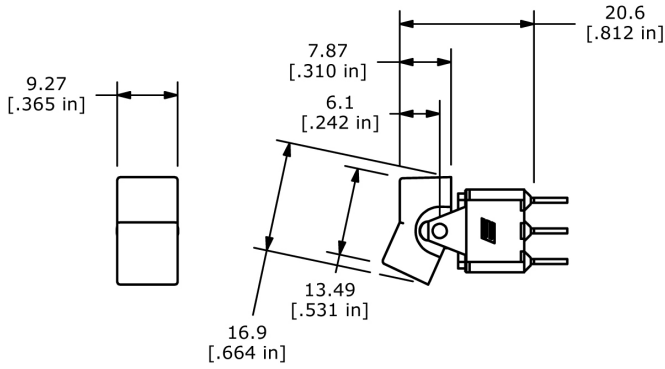
ACTUATOR OPTION	PANEL THICKNESS	DIM "A"
R6 or R7	1.19-1.51 [.047-.060]	15.70 [.619]
R6 or R7	1.52-3.18 [.061-.125]	15.85 [.624]
R8 or R9	1.19-2.29 [.047-.090]	15.70 [.619]
R8 or R9	2.30-3.18 [.091-.125]	15.85 [.624]



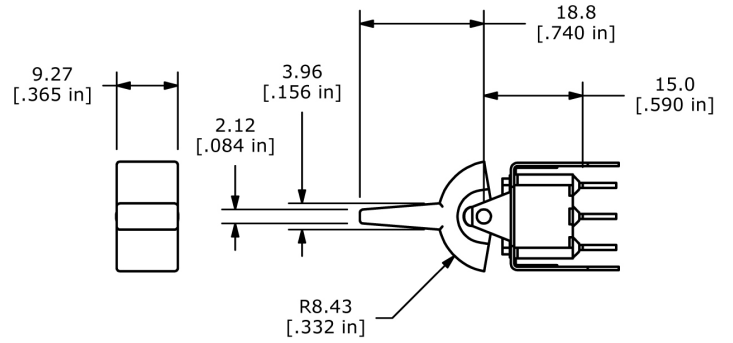
ANTI-VANDAL SWITCHES
DETECTOR SWITCHES
DIP SWITCHES
KEYLOCK SWITCHES
NAVIGATION SWITCHES
PUSHBUTTON SWITCHES
ROCKER SWITCHES
ROTARY SWITCHES
SLIDE SWITCHES
SNAP ACTION SWITCHES
TACTILE SWITCHES
TOGGLE SWITCHES
CAP OPTIONS

PC Mount Actuator

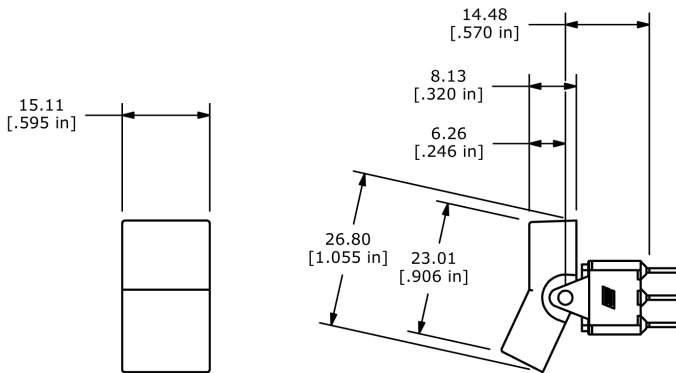
J1 Actuator



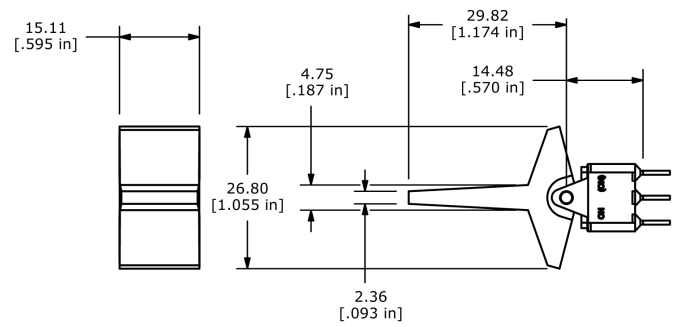
J2 Actuator



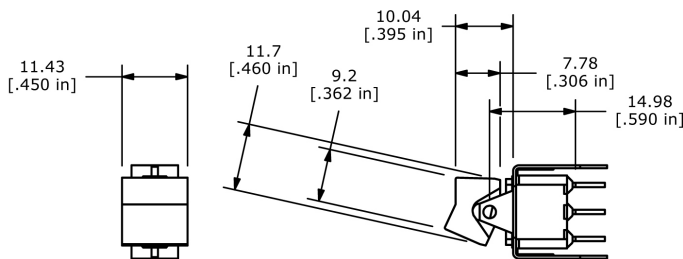
J3 Actuator



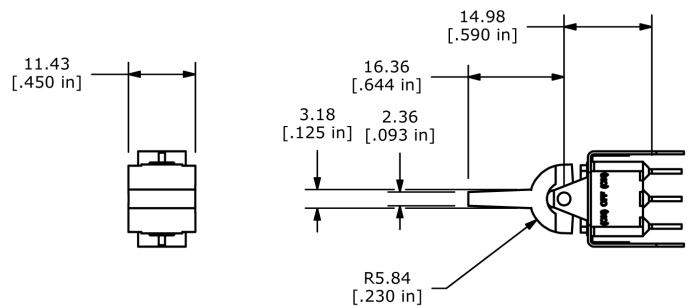
J4 Actuator



J5 Actuator



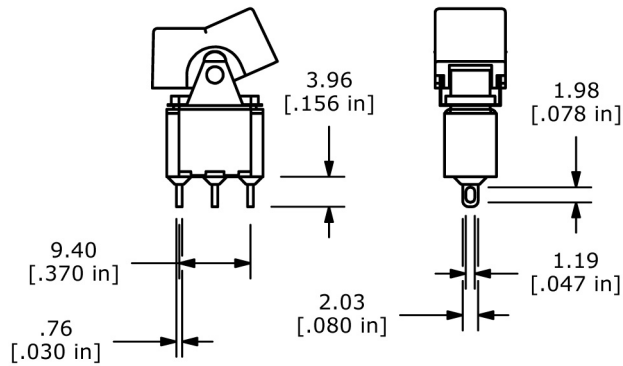
J6 Actuator



300 SERIES ROCKER SWITCH

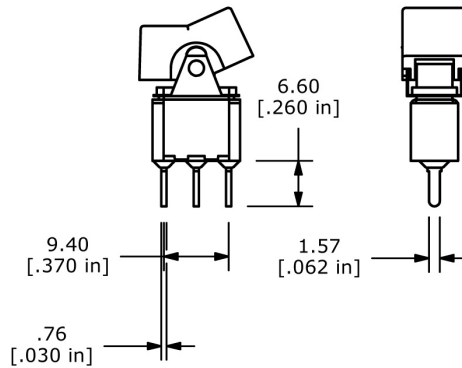
Panel Mount Termination

M1 Termination

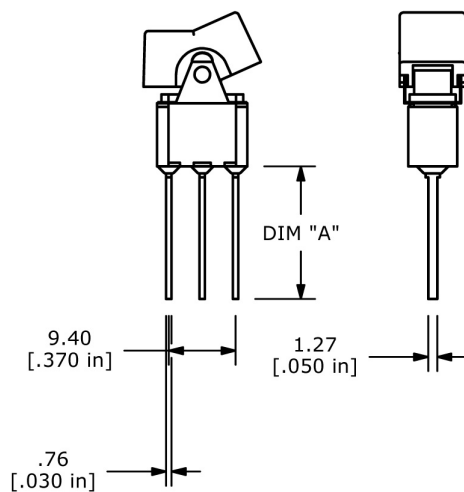


See Switch Function details (page 3) for complete terminal spacing dimensions for DP, 3P, and 4P switch models.

M3 Termination



M5 Termination



OPTION	DIM "A"
M51	18.70 [.736]
M52	24.20 [.953]
M53	10.55 [.415]
M54	26.97 [1.062]

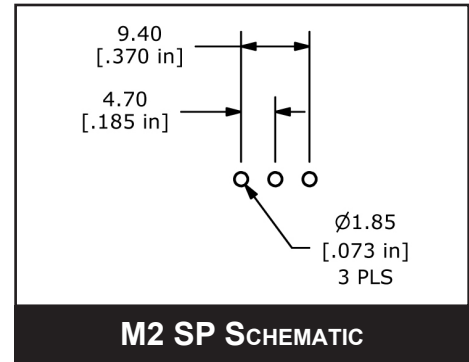
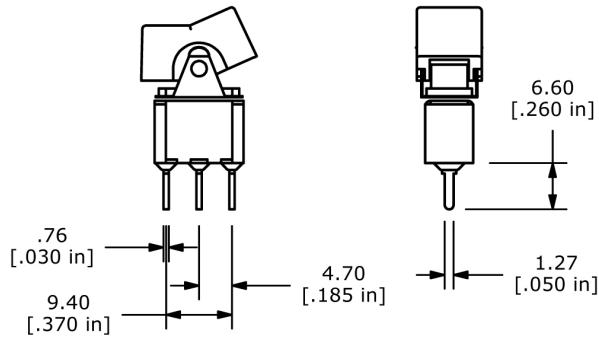


300 SERIES ROCKER SWITCH

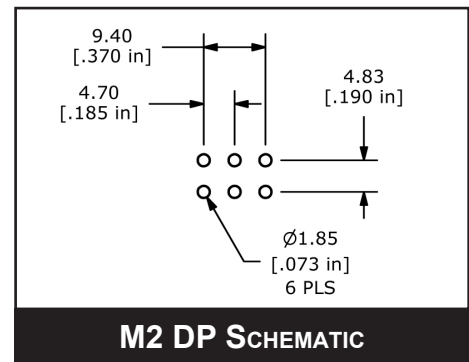
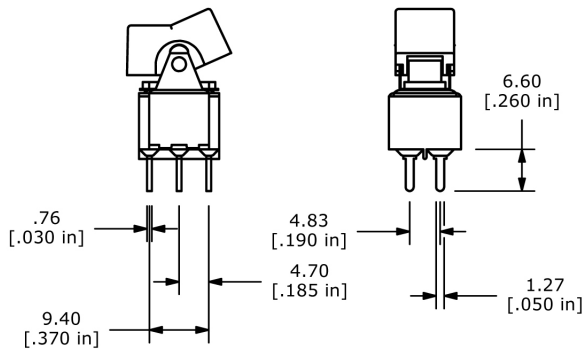
PC Mount M2 Termination

- ANTI-VANDAL SWITCHES
- DETECTOR SWITCHES
- DIP SWITCHES
- KEYLOCK SWITCHES
- NAVIGATION SWITCHES
- PUSHBUTTON SWITCHES
- ROCKER SWITCHES**
- ROTARY SWITCHES
- SLIDE SWITCHES
- SNAP ACTION SWITCHES
- TACTILE SWITCHES
- TOGGLE SWITCHES
- CAP OPTIONS

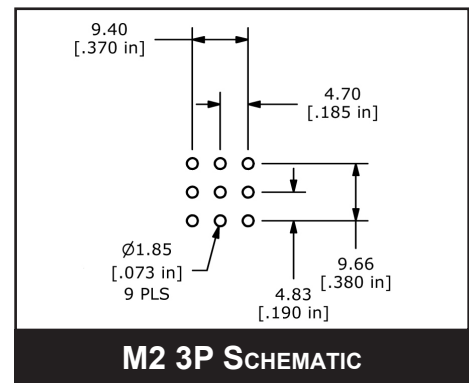
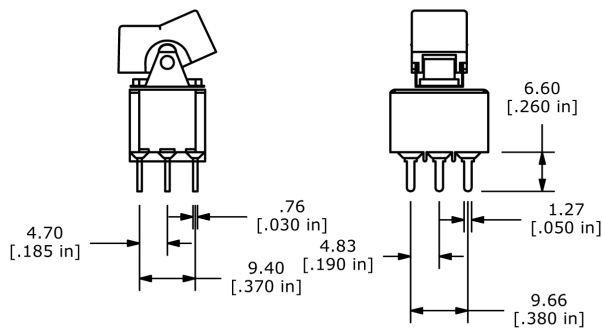
M2 Termination - SP



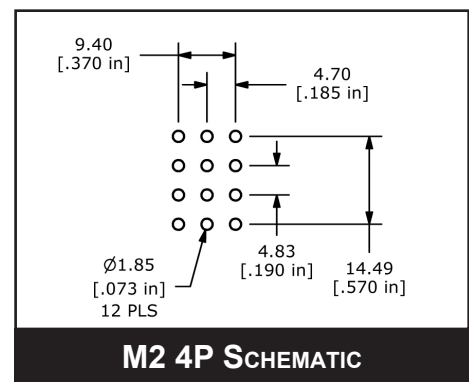
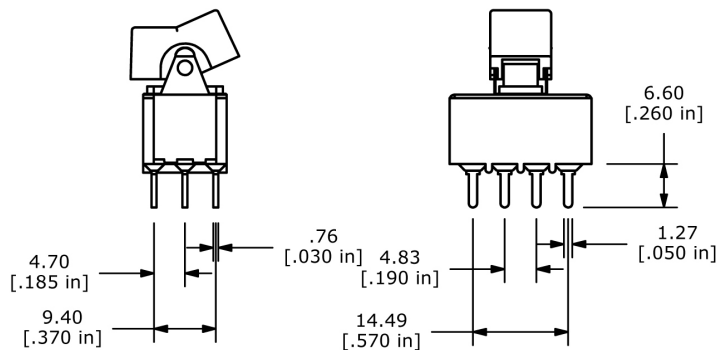
M2 Termination - DP



M2 Termination - 3P



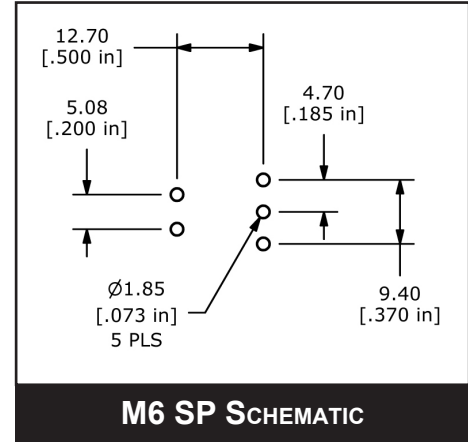
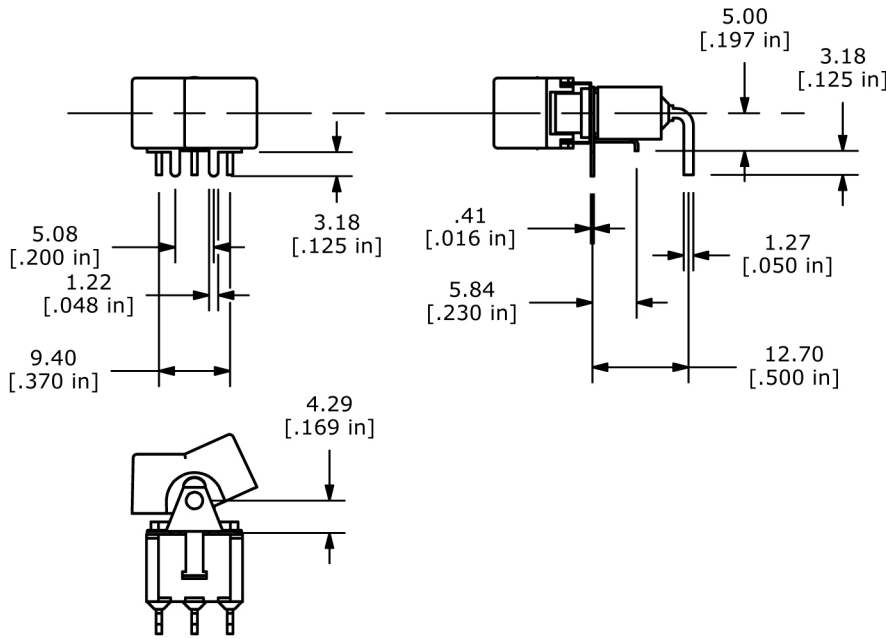
M2 Termination - 4P



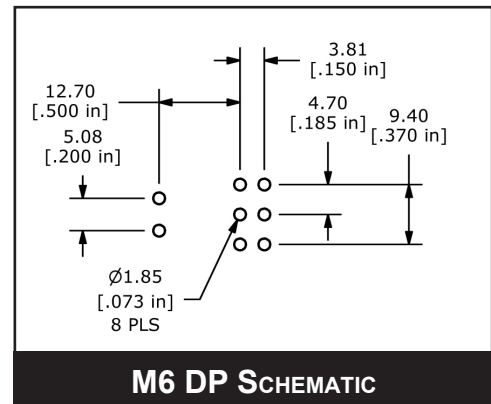
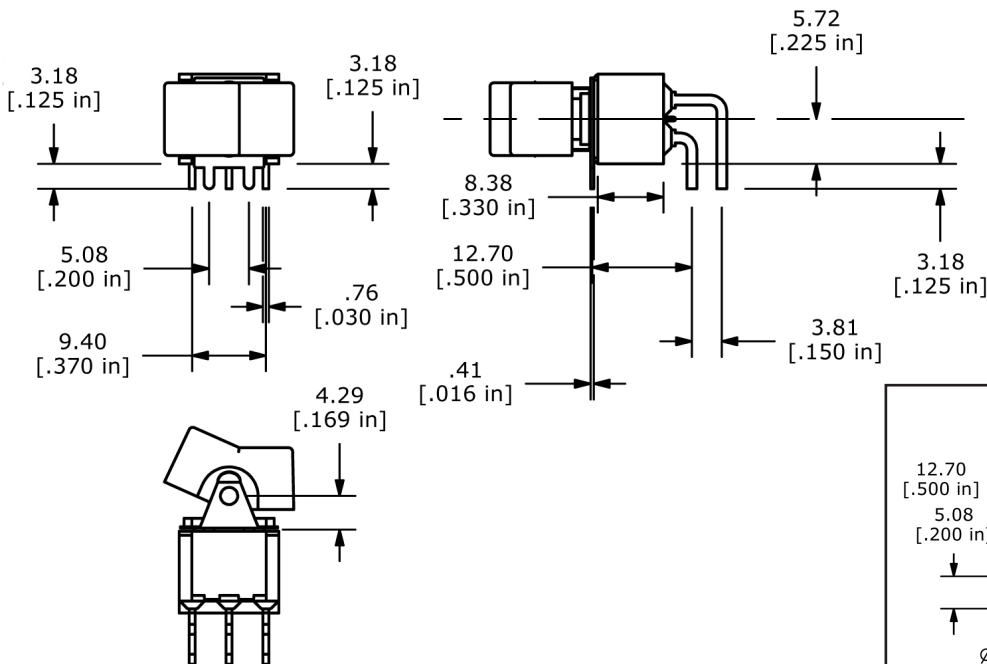
300 SERIES ROCKER SWITCH

PC Mount M6 Termination

M6 Termination - SP



M6 Termination - DP

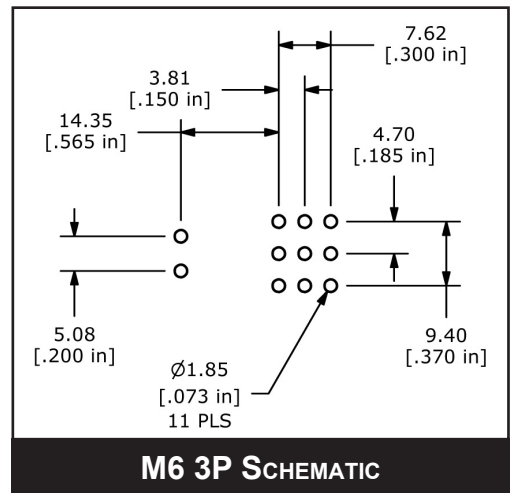
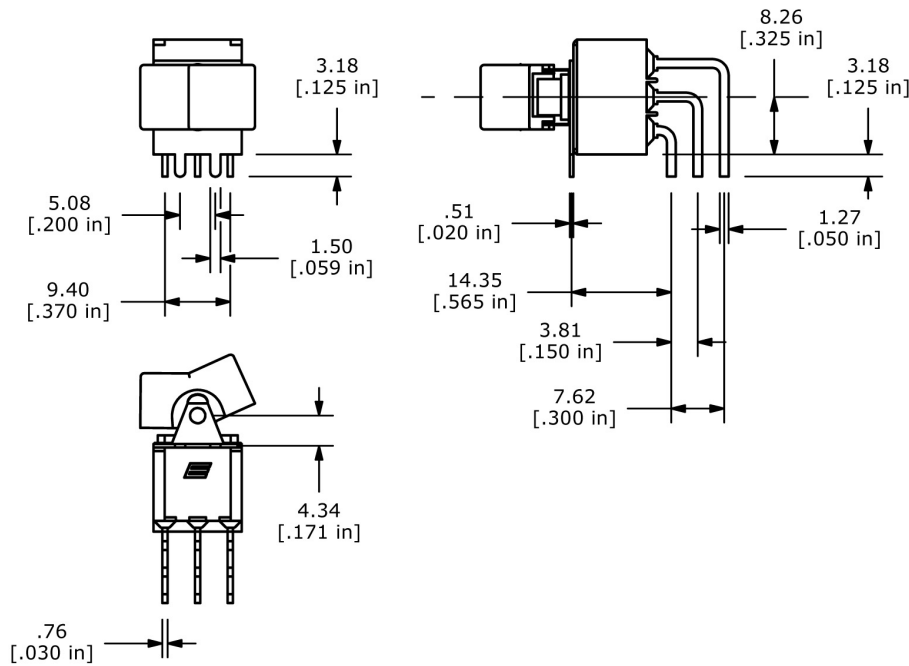


ANTI-VANDAL SWITCHES
 DETECTOR SWITCHES
 DIP SWITCHES
 KEYLOCK SWITCHES
 NAVIGATION SWITCHES
 PUSHBUTTON SWITCHES
 ROCKER SWITCHES
 ROTARY SWITCHES
 SLIDE SWITCHES
 SNAP ACTION SWITCHES
 TACTILE SWITCHES
 TOGGLE SWITCHES
 CAP OPTIONS

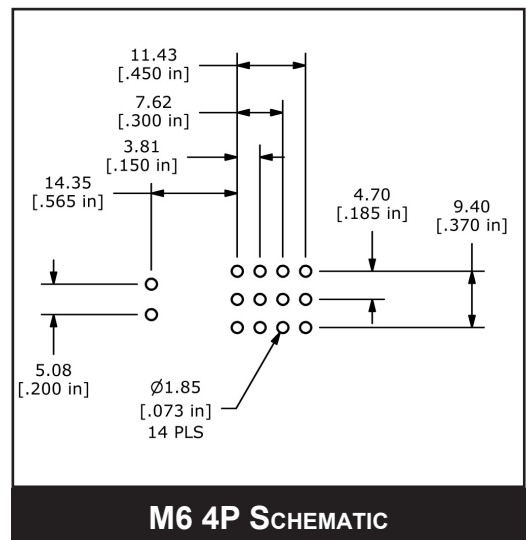
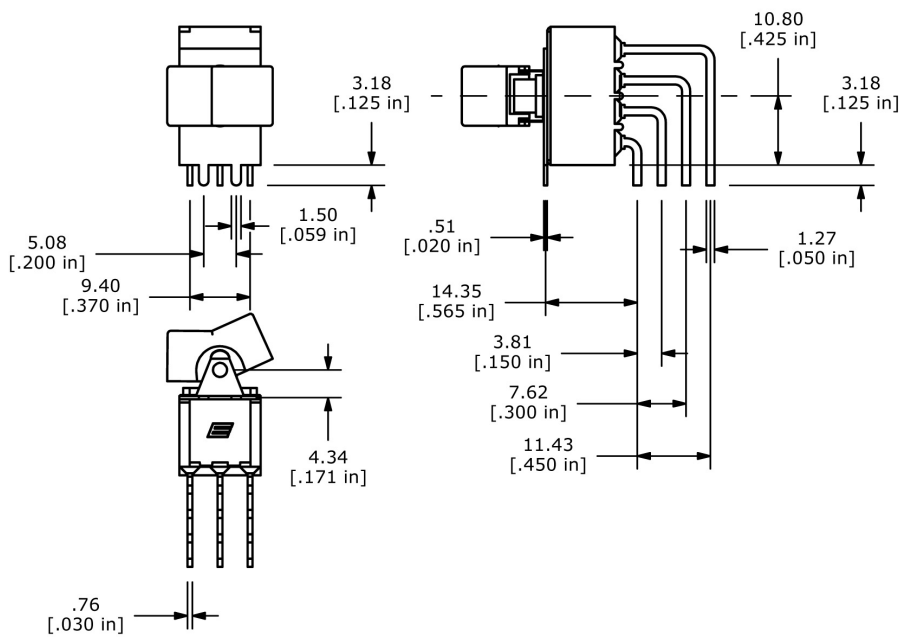
300 SERIES ROCKER SWITCH

PC Mount M6 Termination

M6 Termination - 3P



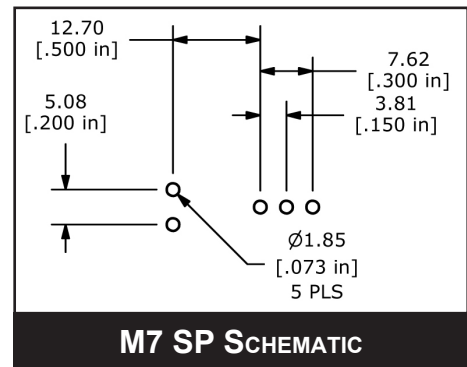
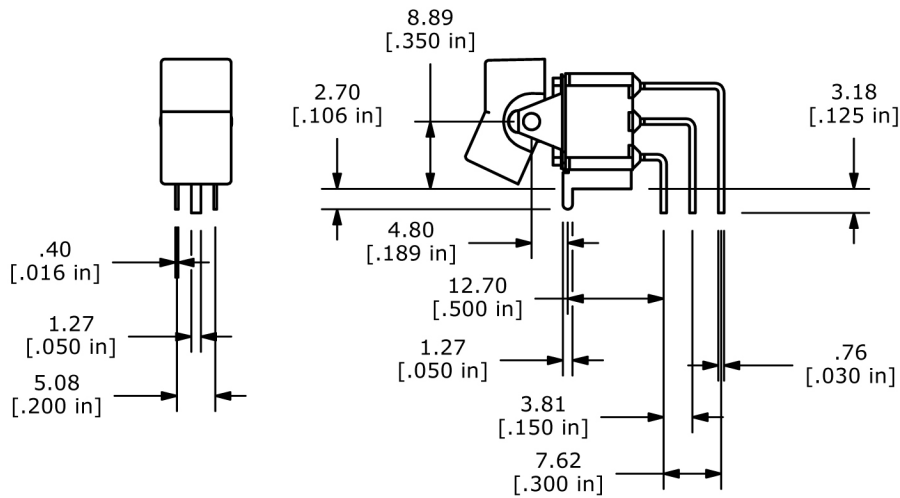
M6 Termination - 4P



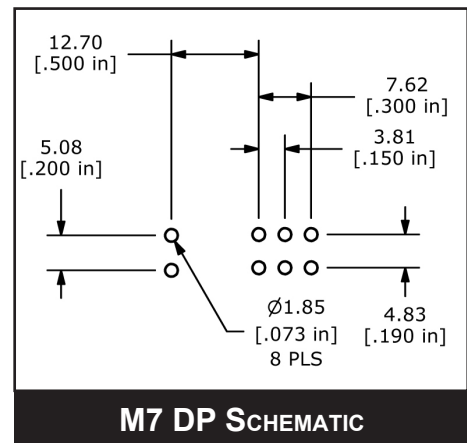
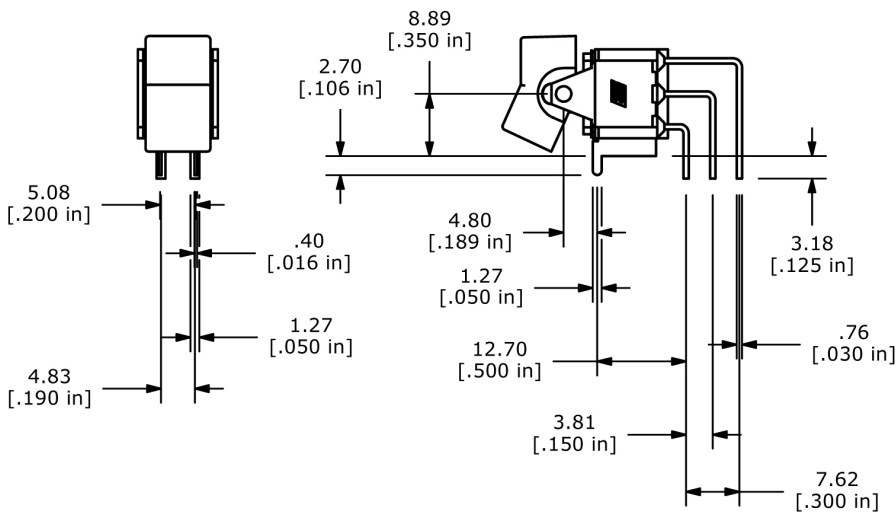
300 SERIES ROCKER SWITCH

PC Mount M7 Termination

M7 Termination - SP



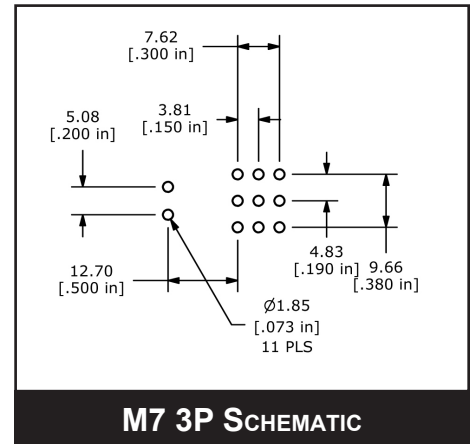
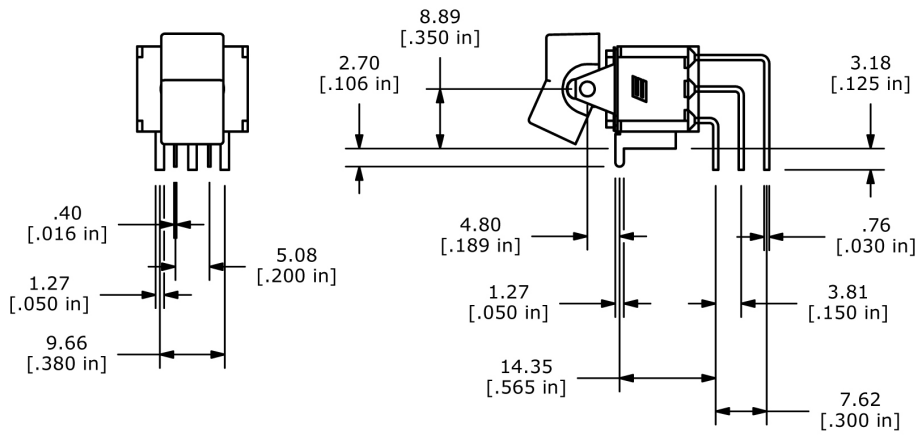
M7 Termination - DP



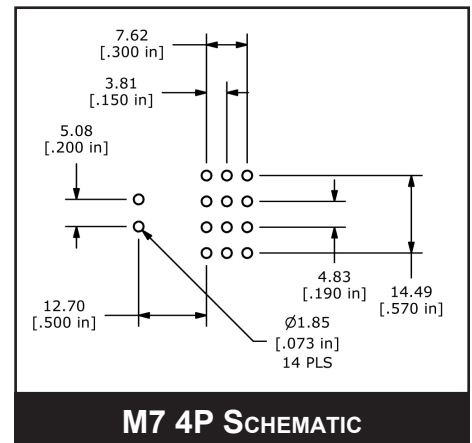
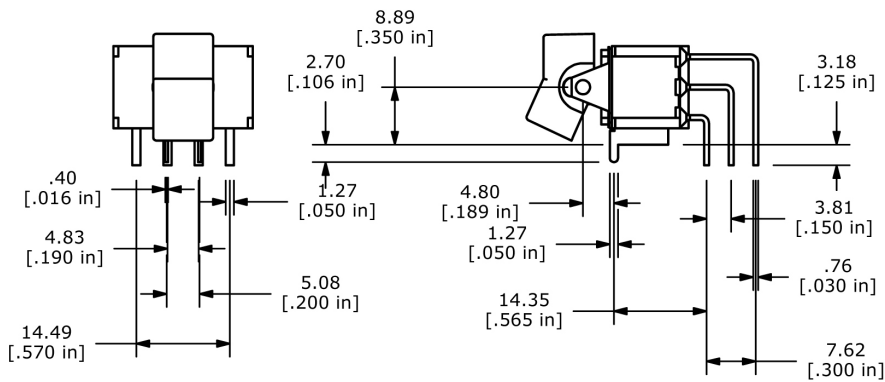
300 SERIES ROCKER SWITCH

PC Mount M7 Termination Options

M7 Termination - 3P



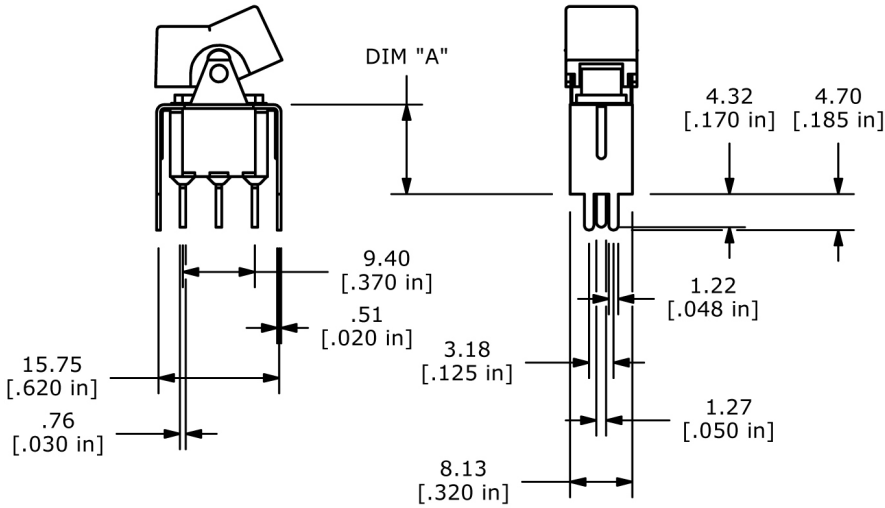
M7 Termination - 4P



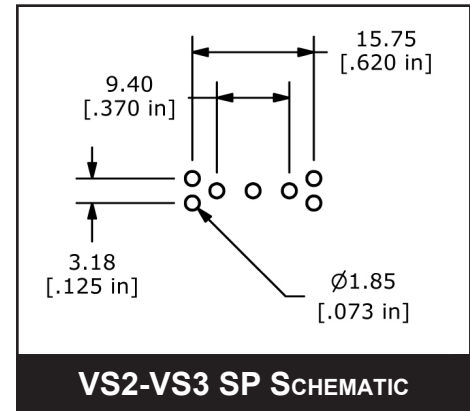
300 SERIES ROCKER SWITCH

PC Mount VS2-VS3 Termination

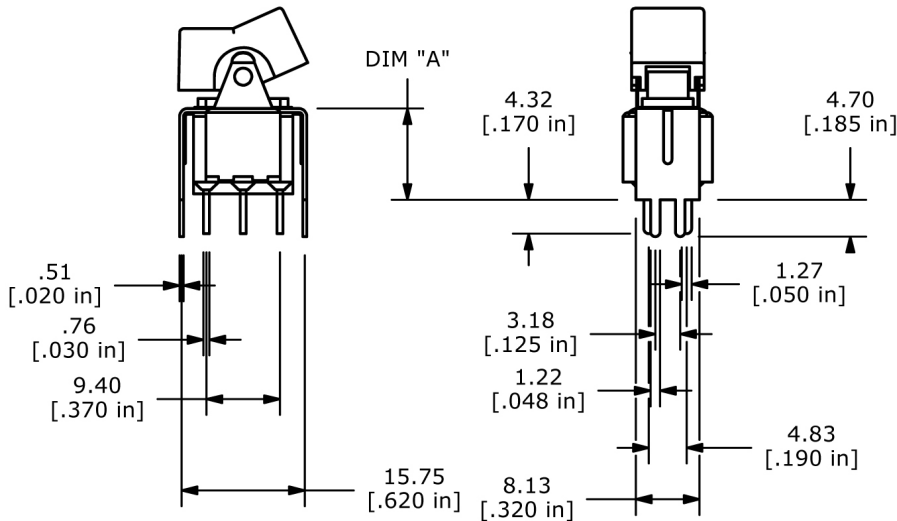
VS2-VS3 Termination - SP



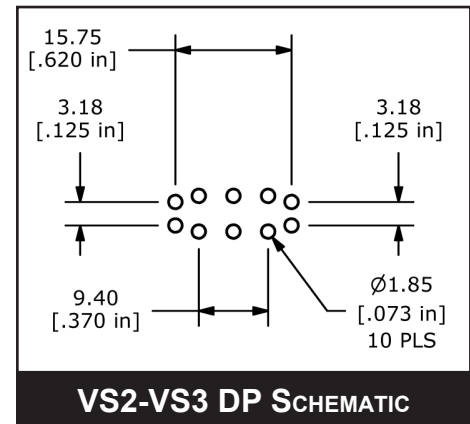
OPTION	DIM "A"
VS2	11.68 [.460]
VS3	16.00 [.630]



VS2-VS3 Termination - DP



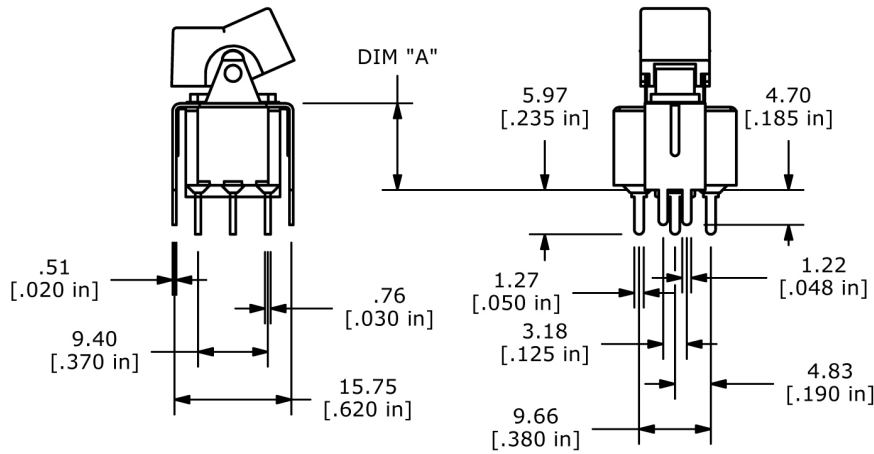
OPTION	DIM "A"
VS2	11.68 [.460]
VS3	16.00 [.630]



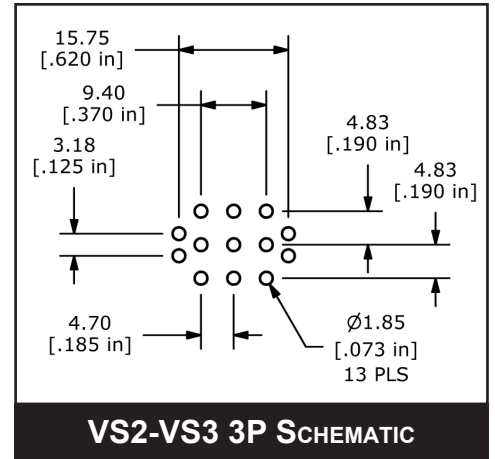
300 SERIES ROCKER SWITCH

PC Mount VS2-VS3 Termination

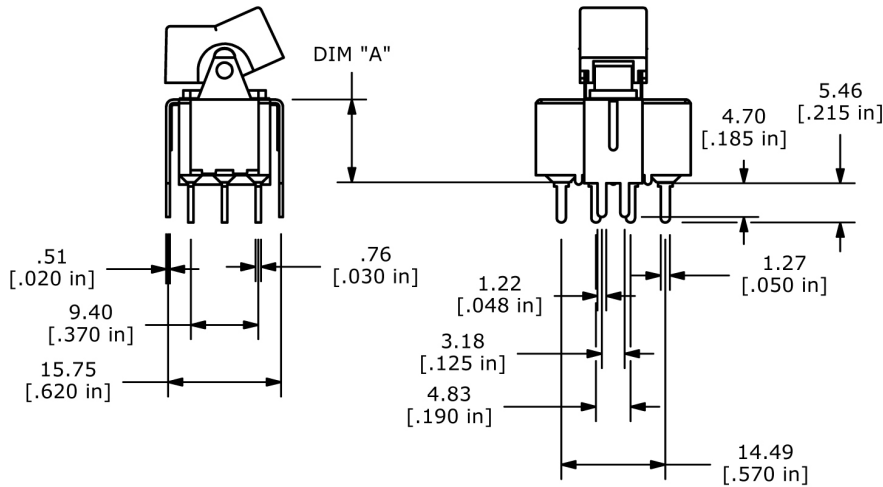
VS2-VS3 Termination - 3P



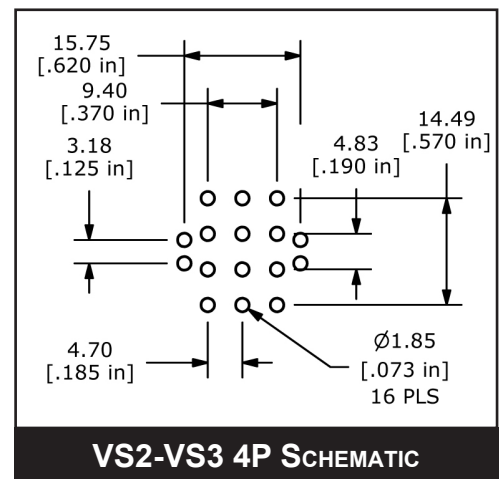
OPTION	DIM "A"
VS2	11.68 [.460]
VS3	16.00 [.630]



VS2-VS3 Termination - 4P



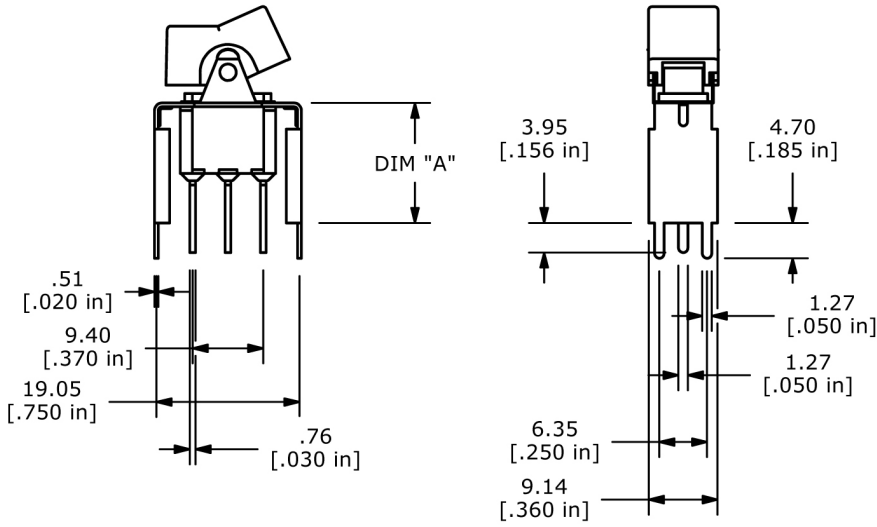
OPTION	DIM "A"
VS2	11.68 [.460]
VS3	16.00 [.630]



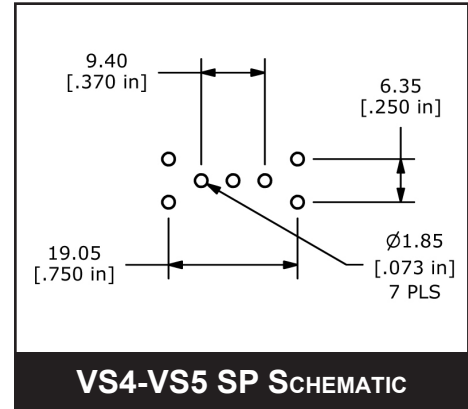
300 SERIES ROCKER SWITCH

PC Mount VS4-VS5 Termination

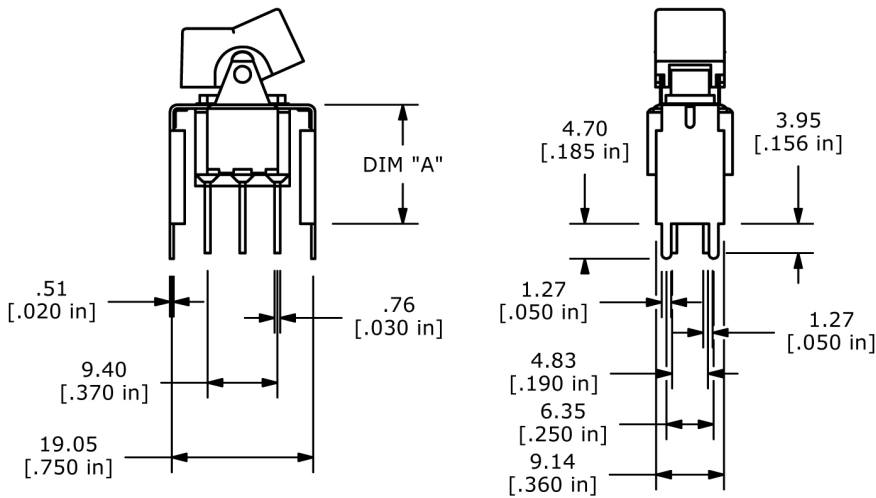
VS4-VS5 Termination - SP



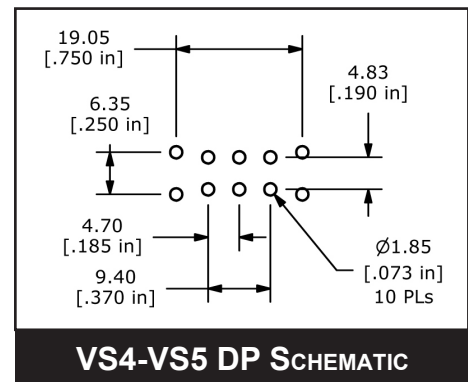
OPTION	DIM "A"
VS4	11.68 [.460]
VS5	16.00 [.630]



VS4-VS5 Termination - DP



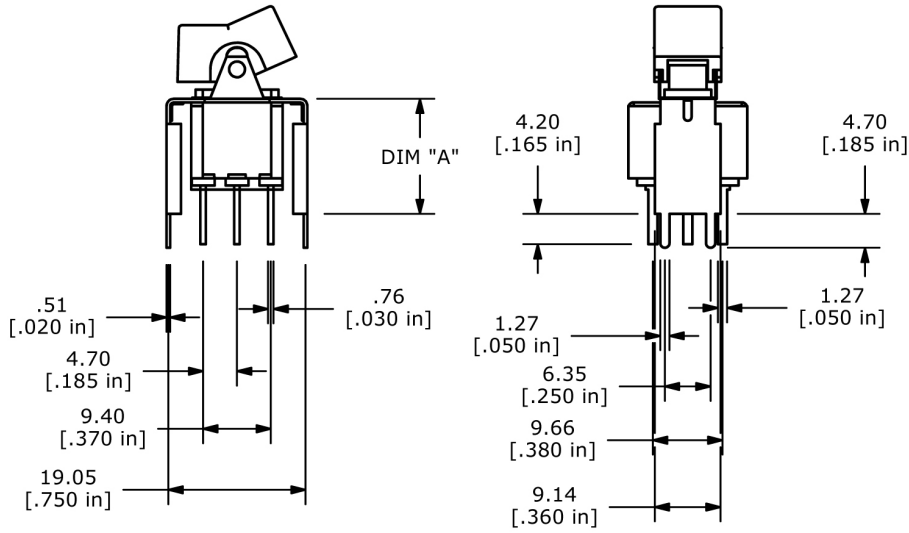
OPTION	DIM "A"
VS4	11.68 [.460]
VS5	16.00 [.630]



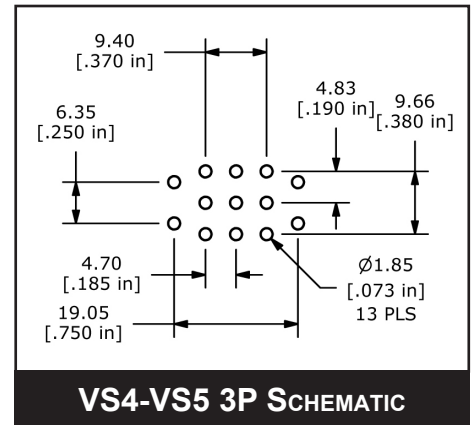
300 SERIES ROCKER SWITCH

PC Mount VS4-VS5 Termination

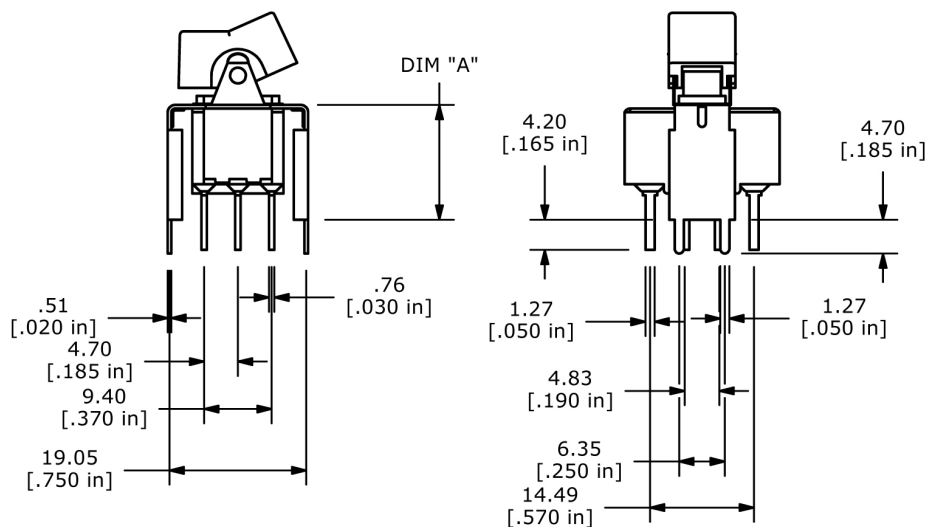
VS4-VS5 Termination - 3P



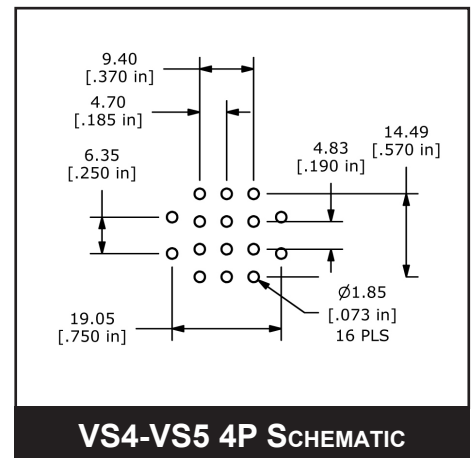
OPTION	DIM "A"
VS4	11.68 [.460]
VS5	16.00 [.630]



VS4-VS5 Termination - 4P



OPTION	DIM "A"
VS4	11.68 [.460]
VS5	16.00 [.630]



Mouser Electronics

Authorized Distributor

Click to View Pricing, Inventory, Delivery & Lifecycle Information:

E-Switch:

[300SP1J1BLKM6QE](#) [300DP2J1BLKM2QE](#) [300SP5R1BLKM1QE](#) [300SP1J1M6RE](#) [300SP1J1M6QE](#)
[300SP1R1M1QE](#) [300SP3R1M1QE](#) [300SP3J1VS3RE](#) [300DP1J1BLKM7QE](#) [300DP1R1M1QE](#) [300DP1R1M6QE](#)
[3004P1R1BLKM1QE](#) [300-DP3-R8-GRY-M1-Q-E](#) [300DP6R7BLKM3REBLK](#) [300DP4-R8-GRY-M1QE](#) [3003P1J1M7QE](#)
[3003P1J3BLKM6QE](#) [3003P1R2BLKM1QE](#) [3003P1R6BLKM1REBLK](#) [3003P2R2BLKM2QE](#) [3003P3R3BLKM2QE](#)
[3004P1J1BLKM7QE](#) [3004P2J2WHTM2RE](#) [3004P6J1BLKM7QE](#) [300DP1J1VS2RE](#) [300DP1J1WHTM2RE](#)
[300DP1J1WHTVS2RE](#) [300DP1J6BLKM2QE](#) [300DP1R8WHTM1QE](#) [300DP2R6BLKM3QE](#) [300DP3R1BLKM7QE](#)
[300DP3R3BLKM1QE](#) [300DP3R6BLKM3QEBLK](#) [300DP3R7BLKM1REBLK](#) [300DP3R9REDM1QE](#)
[300DP4J3BLKVS2QE](#) [300DP4J6BLKVS2QE](#) [300DP4R8BLKM1QE](#) [300DP6J1BLKM2QE](#) [300DP6J1BLKM6QE](#)
[300SP1J1BLKM2RE](#) [300SP1J1BLKM6RE](#) [300SP1J1BLKM7QE](#) [300SP1J1BLKVS3QE](#) [300SP1J1GRYM7QE](#)
[300SP1J1REDM2QE](#) [300SP1J2BLKVS4QE](#) [300SP1J3BLKM51RE](#) [300SP1J3REDM6QE](#) [300SP1J3VS2QE](#)
[300SP1J5BLKM71RE](#) [300SP1R1WHTM1RE](#) [300SP1R2BLKM1QE](#) [300SP1R3BLKM1RE](#) [300SP1R6BLKM1REBLK](#)
[300SP2J1BLKM6QE](#) [300SP2J1BLKVS2RE](#) [300SP2J2BLKVS2QE](#) [300SP2R6BLKM1REBLK](#)
[300SP2R6BLKM2QEBLK](#) [300SP3J1BLKM6QE](#) [300SP3J1GRYM7RE](#) [300SP3J3BLKVS5QE](#) [300SP3J3REDM7QE](#)
[300SP3R1WHTM1RE](#) [300SP3R2BLKM1RE](#) [300SP3R2BLKM3QE](#) [300SP3R3BLKM1QE](#) [300SP4J1BLKVS2RE](#)
[300SP4J2REDVS2RE](#) [300SP4J3BLKM2QE](#) [300SP4R1M7RE](#) [300SP4R2BLKM7RE](#) [300SP4R7BLKM1QEBLK](#)
[300SP4R9BLKM1QE](#) [300SP5J1REDM6QE](#) [300SP5J3BLKVS2QE](#) [300SP5J6VS2RE](#) [300SP4J2BLKVS2RE](#)
[300SP4J2BLKVS4QE](#) [300SP4J2BLKVS5QE](#) [300SP4J2WHTVS2RE](#) [300SP4J3BLKVS2QE](#) [300SP4J6BLKM7RE](#)
[300SP4J6BLKVS4RE](#) [300SP4J6M7QE](#) [300SP4J6VS2QE](#) [300SP4R1BLKM1QE](#) [300SP4R1BLKVS2QE](#)
[300SP4R2BLKM1QE](#) [300SP4R3BLKM1QE](#) [300SP4R4BLKM1RE](#) [300SP4R6BLKM1QEBLK](#)
[300SP4R6WHTM2QEWHT](#) [300SP4R7BLKM1REBLK](#) [300SP4R7BLKM3QEBLK](#) [300SP4R8BLKM1RE](#)
[300SP5J1BLKM1QE](#) [300SP5J1BLKM7RE](#) [300SP5J1BLKVS2RE](#)