

# Circular Cable Connectors

.050"

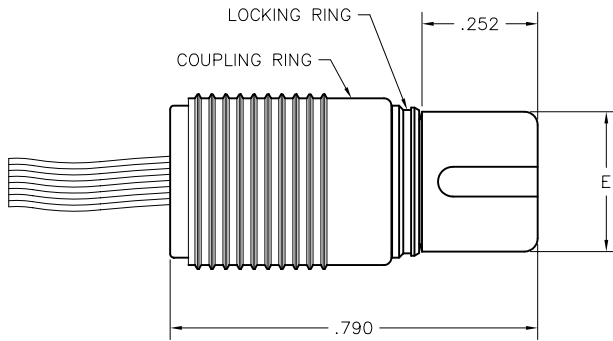
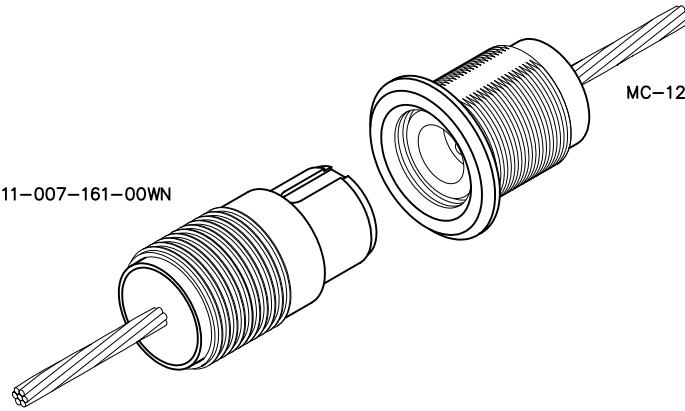
7 & 19 Contacts

Rugged Metal

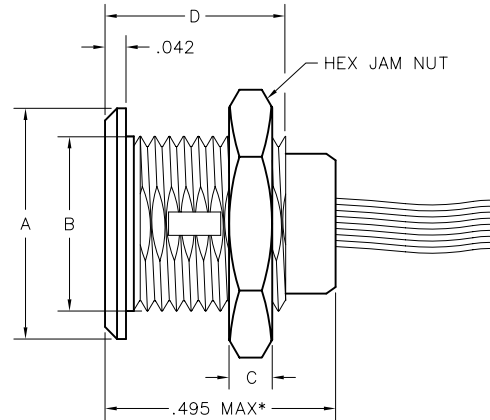
**MC**

MC-111-007-161-00WN

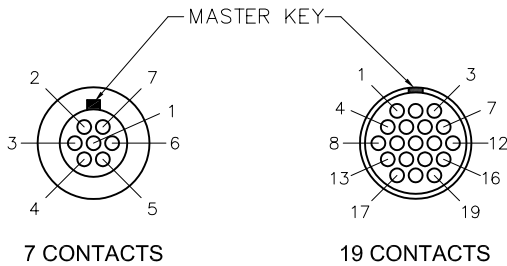
MC-121-007-261-00WN



**PLUG**  
(Socket Contacts)



**RECEPTACLE**  
**FRONT PANEL MOUNT**  
(Pin Contacts)

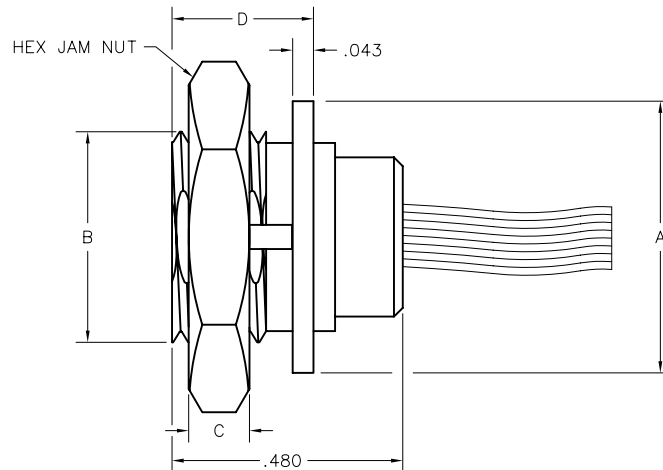


7 CONTACTS

19 CONTACTS

**Contact Arrangements**

Face view, receptacle (Pin contacts)  
Cavity identification numbers are for reference  
and do not appear on connector.



**RECEPTACLE**  
**REAR PANEL MOUNT**  
(Pin Contacts)

DIMENSIONS (RECEPTACLE)					
MOUNT	BODY	A MAX DIA	B THREAD	C NUT	D
FRONT PANEL	1 (7 POS)	.510	3/8-32 UNEF-2A	.093	.388
FRONT PANEL	2 (19 POS)	.575	1/2-28 UNEF-2A	.125	.340
REAR PANEL	1 (7 POS)	.575	7/16-28 UNEF-2A	.093	.293
REAR PANEL	2 (19 POS)	.575	1/2-28 UNEF-2A	.125	.305

DIMENSIONS (PLUG)	
BODY	E MAX DIA
1 (7 POS)	.305
2 (19 POS)	.405

\* = .530 MAX FOR SOLDER CUP CONNECTORS

# Mouser Electronics

Authorized Distributor

Click to View Pricing, Inventory, Delivery & Lifecycle Information:

[AirBorn:](#)

[MC-141-007-261-00WC](#) [MC-111-007-153-0000](#) [MC-111-007-161-00WC](#) [MC-111-007-161-001D](#) [MC-111-007-161-00WB](#) [MC-111-007-161-00WD](#) [MC-111-007-161-00WN](#)