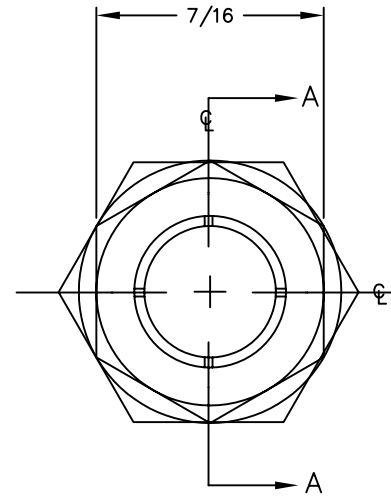
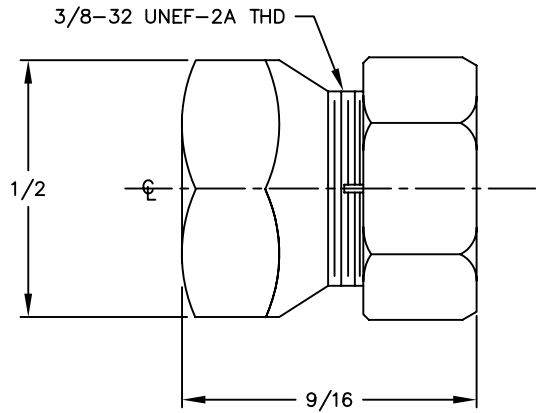
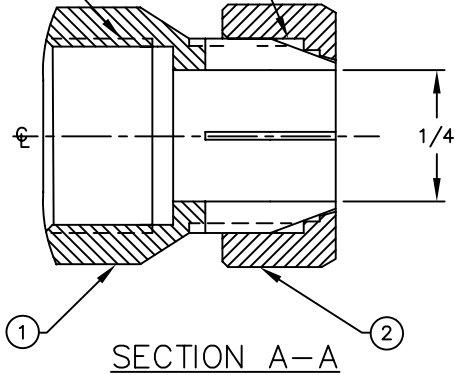


BILL OF MATERIALS				
DET.	QTY.	DESCRIPTION	MATERIAL	FINISH
1	1	SHAFT BUSHING	BRASS	NICKEL
2	1	SHAFT LOCK NUT	BRASS	NICKEL

REVISIONS				
SYM	DESCRIPTION	REVISED BY	DATE	APPR
(A)	DRAWN ON CAD (PER ECR# E98007)	ECK		

3/8-32 UNEF-2B THD 3/8-32 UNEF-2B THD



MATERIAL: "SEE TABLE"			FINISH: "SEE TABLE"			ABBATRON Electronic Connectors and Hardware 632 Arch Street, Meadville, Pa. 16335					
DIMENSIONAL TOLERANCES UNLESS OTHERWISE SPECIFIED			TITLE: 181						DRAWN: ED KLINE DATE: 3-11-98 CHECKED: DATE: APPROVED: DATE:		
.XX	.XXX	.XXXX	SHAFT LOCK ASSY								
±.010	±.005	---	SCALE						SIZE	DRAWING NUMBER	ISSUE
FRACTIONS	ANGLES	SCALE	4:1			B	SD181	A			
HEAT TREAT: ---			PLOT SCALE: 1=1								