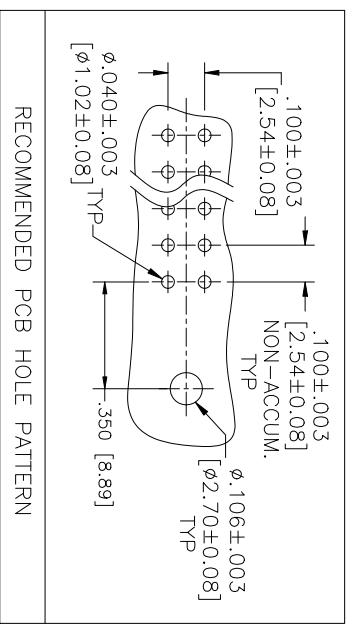
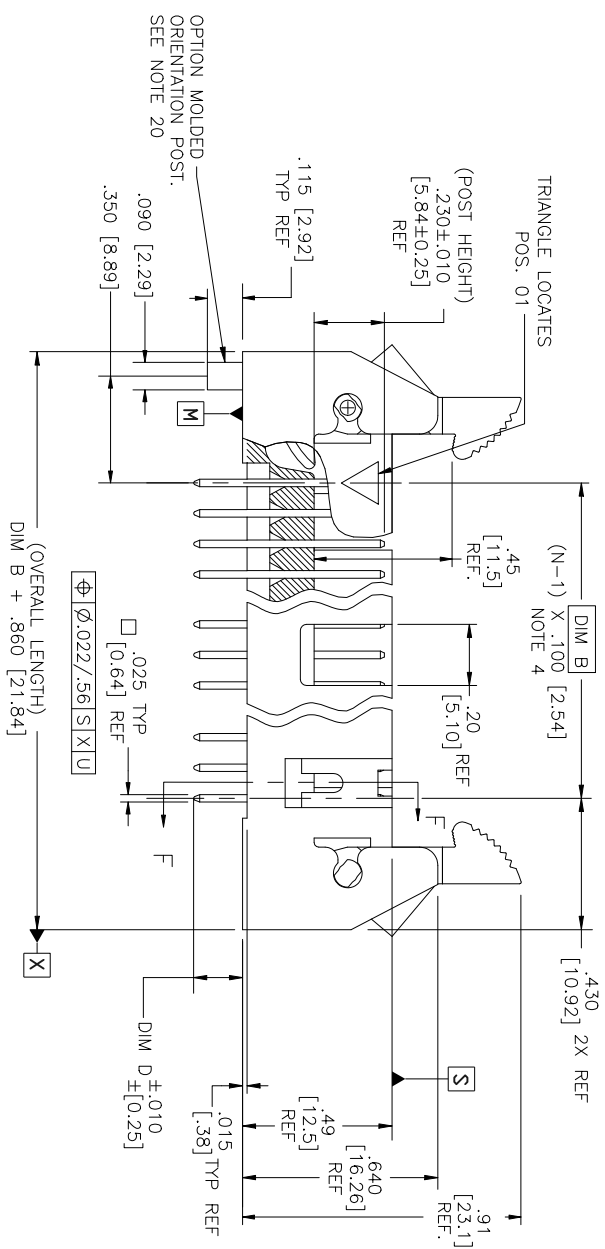
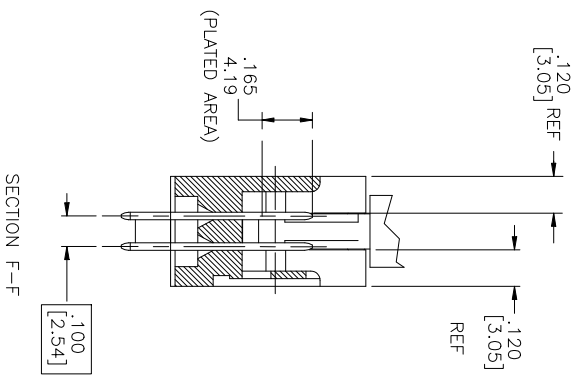
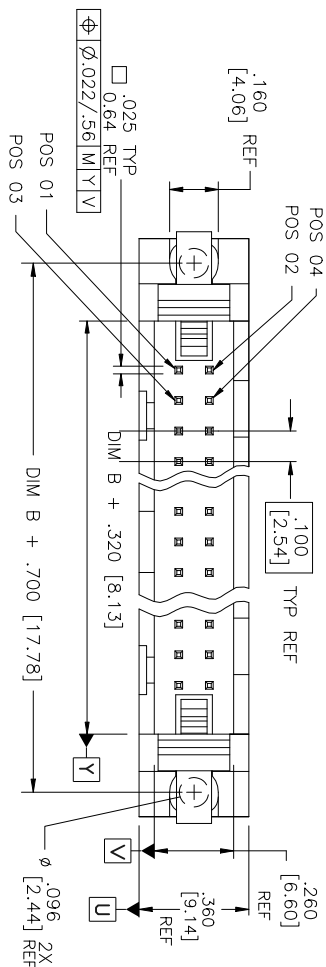


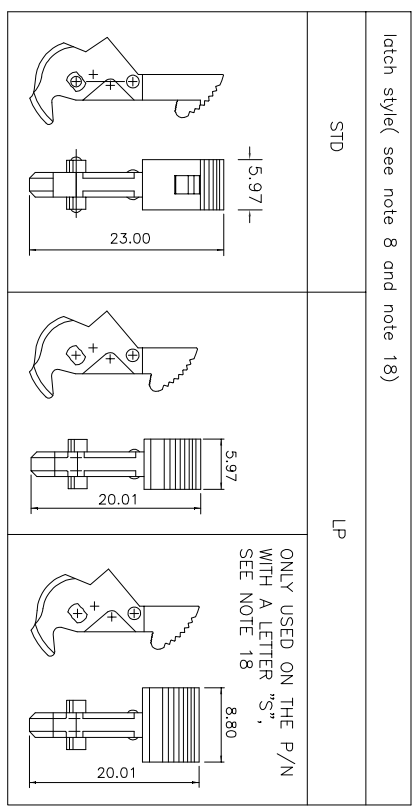
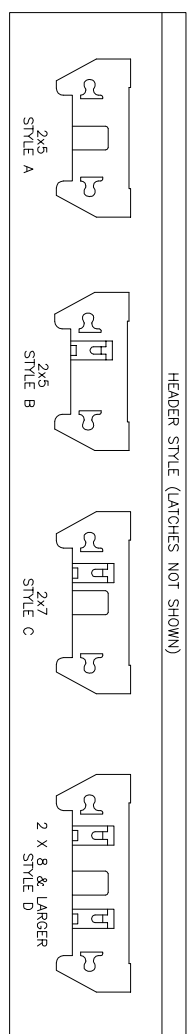
PRODUCT NUMBER
SEE TABLE



PDS: Ref :86

mat'l code	surfact	tolerance	projection	product family
(tr) ecn no	ISO 1302	ISO 1106	MM	QUICKIE
BA N08-0073	4/28/08	M.01/M.03		HEADER, QUICKIE
BB N09-0007	R/B 2009/01/12	M.01/M.03		SEA-HORSE, VERTICAL
BC EIX-N-0297	J/Z 2012-07-04	M.01/M.03	scale 1:1	
BD EIX-N-1354	DCS 2012-11-02	M. CORNUMAN	8/21/90	
BE EIX-N-1797	TM 2014-06-17	M. SMYK	8/21/90	
BG EIX-N-2432	MZ 2016-06-17	M. SMYK	8/21/90	
BH EIX-N-2374	MZ 2016-12-28	M. SMYK	8/21/90	
Sheet revision	BG	BG	BG	BG
index	Sheet	1	2	3
		4	5	6
		7	8	9
		10	11	12
		13	14	15
		16	17	18
		19	20	21
		22	23	24
		25	26	27
		28	29	30
		31	32	33
		34	35	36
		37	38	39
		40	41	42
		43	44	45
		46	47	48
		49	50	51
		52	53	54
		55	56	57
		58	59	60
		61	62	63
		64	65	66
		67	68	69
		70	71	72
		73	74	75
		76	77	78
		79	80	81
		82	83	84
		85	86	87
		88	89	90
		91	92	93
		94	95	96
		97	98	99
		100	101	102
		103	104	105
		106	107	108
		109	110	111
		112	113	114
		115	116	117
		118	119	120
		121	122	123
		124	125	126
		127	128	129
		130	131	132
		133	134	135
		136	137	138
		139	140	141
		142	143	144
		145	146	147
		148	149	150
		151	152	153
		154	155	156
		157	158	159
		160	161	162
		163	164	165
		166	167	168
		169	170	171
		172	173	174
		175	176	177
		178	179	180
		181	182	183
		184	185	186
		187	188	189
		190	191	192
		193	194	195
		196	197	198
		199	200	201
		202	203	204
		205	206	207
		208	209	210
		211	212	213
		214	215	216
		217	218	219
		220	221	222
		223	224	225
		226	227	228
		229	230	231
		232	233	234
		235	236	237
		238	239	240
		241	242	243
		244	245	246
		247	248	249
		250	251	252
		253	254	255
		256	257	258
		259	260	261
		262	263	264
		265	266	267
		268	269	270
		271	272	273
		274	275	276
		277	278	279
		280	281	282
		283	284	285
		286	287	288
		289	290	291
		292	293	294
		295	296	297
		298	299	300

- NOTES:
1. HOUSING MAT'L: HIGH TEMPERATURE THERMOPLASTIC. UL94V-0. COLOR : BLACK
 2. PIN MATERIAL: PHOSPHOR-BRONZE
 3. 3 LBS/1.36 KG MIN. RETENTION.
 4. TO DETERMINE DIMENSION:
N = NUMBER OF POSITIONS.
EXAMPLE: 10 POS., (N-1) x .100[2.54]=.900[22.87]
 5. RETENTIVE LEG:
RETENTION FEATURE AVAILABLE ON CONNECTORS WITH .105/2.67, .120/3.05 OR .150/3.81 TAIL LENGTH. RETENTION P/N INCLUDES THE LETTER "R"
AFTER THE EXISTING P/N.
EXAMPLE : 65863-XXX FOR EXISTING P/N
65863-XXXX FOR RETENTION P/N
RETENTION FEATURE LOCATION IS MANUFACTURERS OPTION.
5LB/2.3KG MAX INSERTION FORCE AND .25LB/.11KG MIN RETENTION FORCE PER RETENTIVE PIN USING .062/1.57 THICK CIRCUIT BOARD AND RECOMMENDED HOLE PATTERN. RETENTIVE LOCATION AT THE DISCRETION OF THE MANUFACTURER. OMIT FROM PRODUCT NUMBER IF THIS FEATURE IS NOT APPLICABLE.
 6. 1" MAX DRAFT PERMISSIBLE ON ALL SURFACES UNLESS OTHERWISE SPECIFIED.
 7. PLATING ON LEAD-IN PORTION OF PIN IS MANUFACTURING OPTION.
 8. L.P. LATCHES TO BE USED WITH FEMALE CONNECTOR WITHOUT STRAIN RELIEF, STANDARD LATCHES TO BE USED WITH FEMALE CONNECTOR WITH STRAIN RELIEF.
 9. RECOMMENDED MOUNTING SCREW SIZE : #2-56 FILLISTER HEAD MACHINE SCREW, 1/4" LONG FOR 1/16" AND 3/32" BOARD, 5/16" LONG FOR 1/8" BOARD.
 10. DASH -7XX IS POLARIZED (PIN MISSING).
 11. UNDERPLATING: 50µ"/1.27µm Ni:
 12. ADD "LF" SUFFIX AT THE END OF PART NUMBER FOR LEAD FREE OPTION.
 13. THIS PRODUCT MEETS EUROPEAN UNION DIRECTIVES AND OTHER COUNTRY REGULATION AS DESCRIBED IN GS-22-008.
 14. FOR POLARIZATION, SPECIFY POSITION NUMBER (i.e., 03= PIN 3) TO OMIT PIN. OMIT FROM PRODUCT NUMBER IF THIS FEATURE IS NOT APPLICABLE.
 15. THE HOUSING WILL WITHSTAND EXPOSURE TO 260° PEAK TEMPERATURE FOR 15 SECONDS IN A WAVE SOLDER APPLICATION WITH A 1.5mm MINIMUM THICK CIRCUIT BOARD. SEE APPLICATION NOTES/PROCEDURES IF THEY ARE AVAILABLE.
 16. THIS PRODUCT HAS 100% TIN PLATING IN THE INTERFACE AND HAS NOT BEEN TESTED FOR WHISKER GROWTH IN ALL INTERCONNECT ENVIRONMENTS."
 17. PLATING OPTIONS:
PERFORMANCE PLATING WILL BE EITHER GOLD OR GXT ON CONTACT OR TAIL, OPTIONALLY TIN ON TAIL.
 18. THE PART NUMBER IN THE DASH NUMBER WITH A LETTER "S" WILL HAVE A SPECIAL SEA HORSE USED.
 19. LEAD FREE PLATING: 100µ"~160µ"/2.54µ~4.06µ PURE Sn.
 20. 65863-XXXX, P-DESIGNATE ORIENTATION POST.(SEE PAGE 23)
 21. 65863-XXXX, F-PLATING FOUR SIDES ON CONTACT AREA.(SEE PAGE 23)
 22. 65863-XXXXP, FOR THIS TYPE PART NUMBER, THE PACKAGE MATERIAL IS TRAY(10139678-02-001) .



11. UNDERPLATING: 50µ"/1.27µm Ni:
12. ADD "LF" SUFFIX AT THE END OF PART NUMBER FOR LEAD FREE OPTION.
13. THIS PRODUCT MEETS EUROPEAN UNION DIRECTIVES AND OTHER COUNTRY REGULATION AS DESCRIBED IN GS-22-008.
14. FOR POLARIZATION, SPECIFY POSITION NUMBER (i.e., 03= PIN 3) TO OMIT PIN. OMIT FROM PRODUCT NUMBER IF THIS FEATURE IS NOT APPLICABLE.
15. THE HOUSING WILL WITHSTAND EXPOSURE TO 260° PEAK TEMPERATURE FOR 15 SECONDS IN A WAVE SOLDER APPLICATION WITH A 1.5mm MINIMUM THICK CIRCUIT BOARD. SEE APPLICATION NOTES/PROCEDURES IF THEY ARE AVAILABLE.
16. THIS PRODUCT HAS 100% TIN PLATING IN THE INTERFACE AND HAS NOT BEEN TESTED FOR WHISKER GROWTH IN ALL INTERCONNECT ENVIRONMENTS."
17. PLATING OPTIONS:
PERFORMANCE PLATING WILL BE EITHER GOLD OR GXT ON CONTACT OR TAIL, OPTIONALLY TIN ON TAIL.
18. THE PART NUMBER IN THE DASH NUMBER WITH A LETTER "S" WILL HAVE A SPECIAL SEA HORSE USED.
19. LEAD FREE PLATING: 100µ"~160µ"/2.54µ~4.06µ PURE Sn.
20. 65863-XXXX, P-DESIGNATE ORIENTATION POST.(SEE PAGE 23)
21. 65863-XXXX, F-PLATING FOUR SIDES ON CONTACT AREA.(SEE PAGE 23)
22. 65863-XXXXP, FOR THIS TYPE PART NUMBER, THE PACKAGE MATERIAL IS TRAY(10139678-02-001) .

mat'l code		surface		tolerance		projection		product family	
lfr	ecn no	dr	date	ISO 1302	ISO 1101	MM	MM	HEADER, QUICKIE	QUICKIE
BC				tolerances unless otherwise specified	XXL05/XXL03			SEA-HORSE, VERTICAL	
				angles	XXL05/XXL03				
				0±2°	XXXL000/XXXL050				
				dr	M. CORNMANN	8/21/90			
				engr	M. SANYK	8/21/90			
				chr	M. SANYK	8/21/90			
				pppd	M. SANYK	8/21/90			
sheet	revision								
index	sheet								
Amphenol FCI		scale 1:1		drawing no		sheet 2 of 23		size	
Amphenol FCI		1:1		65863		23		A3	
type		Product Customer		Drawing					

1 2 3 4 5 6

PRODUCT NO NOTES 12,13	SIZE	LATCH NOTE 8	DIM B	DIM D	TERMINAL PLATING	STYLE
65863-073/-073PC	2x13	STD	1.200/30,480	.105/ 2.67	30u"/0.76u MIN (NOTE 17) OVER 50u"/1.27u NI	D
-074				.105/ 2.67	120u"~200u" /3.04um~5.08umTIN/LEAD	NOTE 22
-075				.150/ 3.81	30u"/0.76u MIN (NOTE 17) OVER 50u"/1.27u NI	NOTE 16,19
-076				.150/ 3.81	120u"~200u" /3.04um~5.08umTIN/LEAD	NOTE 16,19
-077				.675/17,15	30u"/0.76u MIN (NOTE 17) OVER 50u"/1.27u NI	NOTE 16,19
-078	2x13		1.200/30,480	.675/17,15	120u"~200u" /3.04um~5.08umTIN/LEAD	NOTE 16,19
-079/-079PC	2x17		1.600/40,640	.105/ 2.67	30u"/0.76u MIN (NOTE 17) OVER 50u"/1.27u NI	NOTE 22
-080				.105/ 2.67	120u"~200u" /3.04um~5.08umTIN/LEAD	NOTE 16,19
-081				.150/ 3.81	30u"/0.76u MIN (NOTE 17) OVER 50u"/1.27u NI	NOTE 16,19
-082				.150/ 3.81	120u"~200u" /3.04um~5.08umTIN/LEAD	NOTE 16,19
-083				.675/17,15	30u"/0.76u MIN (NOTE 17) OVER 50u"/1.27u NI	NOTE 16,19
-084	2x17		1.600/40,640	.675/17,15	120u"~200u" /3.04um~5.08umTIN/LEAD	NOTE 16,19
-085/-085PC	2x20		1.900/48,260	.105/ 2.67	30u"/0.76u MIN (NOTE 17) OVER 50u"/1.27u NI	NOTE 16,19
-086				.105/ 2.67	120u"~200u" /3.04um~5.08umTIN/LEAD	NOTE 16,19
-087				.150/ 3.81	30u"/0.76u MIN (NOTE 17) OVER 50u"/1.27u NI	NOTE 16,19
-088				.150/ 3.81	120u"~200u" /3.04um~5.08umTIN/LEAD	NOTE 16,19
-089				.675/17,15	30u"/0.76u MIN (NOTE 17) OVER 50u"/1.27u NI	NOTE 16,19
-090	2x20		1.900/48,260	.675/17,15	120u"~200u" /3.04um~5.08umTIN/LEAD	NOTE 16,19
-091	2x25		2.400/60,960	.105/ 2.67	30u"/0.76u MIN (NOTE 17) OVER 50u"/1.27u NI	NOTE 16,19
-092				.105/ 2.67	120u"~200u" /3.04um~5.08umTIN/LEAD	NOTE 16,19
-093				.150/ 3.81	30u"/0.76u MIN (NOTE 17) OVER 50u"/1.27u NI	NOTE 16,19
-094				.150/ 3.81	120u"~200u" /3.04um~5.08umTIN/LEAD	NOTE 16,19
-095				.675/17,15	30u"/0.76u MIN (NOTE 17) OVER 50u"/1.27u NI	NOTE 16,19
-096	2x25	STD	2.400/60,960	.675/17,15	120u"~200u" /3.04um~5.08umTIN/LEAD	NOTE 16,19
-097	2x30	NO	2.900/73,660	.105/ 2.67	30u"/0.76u MIN (NOTE 17) OVER 50u"/1.27u NI	NOTE 16,19
-098				.105/ 2.67	120u"~200u" /3.04um~5.08umTIN/LEAD	NOTE 16,19
-099				.150/ 3.81	30u"/0.76u MIN (NOTE 17) OVER 50u"/1.27u NI	NOTE 16,19
-100				.150/ 3.81	120u"~200u" /3.04um~5.08umTIN/LEAD	NOTE 16,19
-101				.675/17,15	30u"/0.76u MIN (NOTE 17) OVER 50u"/1.27u NI	NOTE 16,19
-102		NO		.675/17,15	120u"~200u" /3.04um~5.08umTIN/LEAD	NOTE 16,19
-103		STD		.105/ 2.67	30u"/0.76u MIN (NOTE 17) OVER 50u"/1.27u NI	NOTE 16,19
-104				.105/ 2.67	120u"~200u" /3.04um~5.08umTIN/LEAD	NOTE 16,19
-105				.150/ 3.81	30u"/0.76u MIN (NOTE 17) OVER 50u"/1.27u NI	NOTE 16,19
-106				.150/ 3.81	120u"~200u" /3.04um~5.08umTIN/LEAD	NOTE 16,19
-107				.675/17,15	30u"/0.76u MIN (NOTE 17) OVER 50u"/1.27u NI	NOTE 16,19
65863-108	2x30	STD	2.900/73,660	.675/17,15	120u"~200u" /3.04um~5.08umTIN/LEAD	NOTE 16,19

mat'l code	surface	tolerance	projection	product family
lfr ecn no	ISO 1302	ISO 1101		QUICKIE
date	tolerances unless otherwise specified	XXE0/XXD3	MM	HEADER, QUICKIE
angles	linear	XXE1.05/XXE0.13	scale 1:1	SEA-HORSE, VERTICAL
dr	M. CORNMANN	8/21/90		sheet 5 of 23 size
engr	M. SMYK	8/21/90		65863
chr	M. SMYK	8/21/90		type Product Customer Drawing
pppd	M. SMYK	8/21/90		
sheet revision				
index sheet				

Amphenol FCI

© 2016 AFCI

form: A3-2016-02-24

1 2 3 4 5 6

PDS: Rev: B6

STATUS: Released Printed: Jan 23, 2017

1 2 3 4 5 6

PRODUCT NO NOTE 12.13	SIZE	LATCH NOTE 8	DIM B	DIM D	TERMINAL PLATING	STYLE
5863-109	2x5	NO	.400/10.160	.105/ 2.67	30u"/0.76u MIN (NOTE 17) OVER 50u"/1.27u NI	A
-110	2x7	↓	.600/15.240			C
-111	2x8	↓	.700/17.780			D
-112	2x10	↓	.900/22.860			↓
-113	2x13	↓	1.200/30.480			↓
-114	2x17	↓	1.600/40.640			↓
-115	2x20	↓	1.900/48.280			↓
-116	2x25	↓	2.400/60.960			↓
-117	2x30	NO	2.900/73.660			D
-118	2x5	STD	.400/10.160			A
-119	2x7	↓	.600/15.240			C
-120	2x8	↓	.700/17.780			D
-121	2x10	↓	.900/22.860			↓
-122	2x13	↓	1.200/30.480			↓
-123	2x17	↓	1.600/40.640			↓
-124	2x20	↓	1.900/48.280			↓
-125	2x25	↓	2.400/60.960			↓
-126	2x30	STD	2.900/73.660	.105/ 2.67		↓
-127	2x20	NO	1.900/48.280	.150/ 3.81		D
-128	2x20	STD	1.900/48.280			D
-129	2x5	NO	.400/10.160			A
-130	2x7	↓	.600/15.240			C
-131	2x8	↓	.700/17.780			D
-132	2x10	↓	.900/22.860			↓
-133	2x13	↓	1.200/30.480			↓
-134	2x17	↓	1.600/40.640			↓
-135	2x20	↓	1.900/48.280			↓
-136	2x25	↓	2.400/60.960			↓
-137	2x30	NO	2.900/73.660			D
-138	2x5	STD	.400/10.160			A
-139	2x7	↓	.600/15.240			C
-140	2x8	↓	.700/17.780			D
-141	2x10	↓	.900/22.860			↓
-142	2x13	↓	1.200/30.480			↓
-143	2x17	↓	1.600/40.640			↓
5863-144	2x20	STD	1.900/48.280	.150/ 3.81	30u"/0.76u MIN (NOTE 17) OVER 50u"/1.27u NI	D



© 2016 AFCI

form: A3-2016-02-24

1

2

3

4

5

6

PDS: Rev: B6

STATUS: Released

Printed: Jan 23, 2017

mat'l code		surface		tolerance		projection		product family	
ltr	ecn no	dr	date	ISO 1302	ISO 1101	MM	MM	QUICKIE	QUICKIE
BC				tolerances unless otherwise specified				HEADER, QUICKIE	
				angles	linear	XXL05/XXL03	MM	SEA-HORSE, VERTICAL	
				0±2°		XXXL000/XXXL05L	Scale 1:1		
		dr	M. CORNMANN	8/21/90					
		engr	M. SMYK	8/21/90					
		chr	M. SMYK	8/21/90					
		pppd	M. SMYK	8/21/90					
sheet	revision								
index	sheet								
sheet no		revision		date		scale		drawing no	
6 of 23						1:1		65863	
type		customer		drawing		size		sheet	
Product		Customer		Drawing		A3		6 of 23	

1 2 3 4 5 6

PRODUCT NO NOTE 12.13	SIZE	LATCH NOTE 8	DIM B	DIM D	TERMINAL PLATING	STYLE
65863-145	2x25	STD	2.400/60,960	.150 / 3.81	30u" / 0.76u MIN (NOTE 17) OVER 50u" / 1.27u NI	D
-146	2x30	STD	2.900/73,660	.150 / 3.81	30u" / 0.76u MIN (NOTE 17) OVER 50u" / 1.27u NI	D
-147	2x5	NO	.400/10,160	.675/17,15	15u" / 0.38u MIN (NOTE 17) OVER 50u" / 1.27u NI	A
-148	2x7	↓	.600/15,240	↓	↓	C
-149	2x8	↓	.700/17,780	↓	↓	D
-150	2x10	↓	.900/22,860	↓	↓	↓
-151	2x13	↓	1.200/30,480	↓	↓	↓
-152	2x17	↓	1.600/40,640	↓	↓	↓
-153	2x20	↓	1.900/48,260	↓	↓	↓
-154	2x25	↓	2.400/60,960	↓	↓	↓
-155	2x30	NO	2.900/73,660	↓	↓	D
-156	2x5	STD	.400/10,160	↓	↓	A
-157	2x7	↓	.600/15,240	↓	↓	C
-158	2x8	↓	.700/17,780	↓	↓	D
-159	2x10	↓	.900/22,860	↓	↓	↓
-160	2x13	↓	1.200/30,480	↓	↓	↓
-161	2x17	↓	1.600/40,640	↓	↓	↓
-162	2x20	↓	1.900/48,260	↓	↓	↓
-163	2x25	↓	2.400/60,960	↓	↓	↓
-164	2x30	STD	2.900/73,660	.675/17,15	15u" / 0.38u MIN (NOTE 17) OVER 50u" / 1.27u NI	D
-165	2x5	LP	.400/10,160	.105 / 2.67	30u" / 0.76u MIN (NOTE 17) OVER 50u" / 1.27u NI	A
-166	↓	↓	↓	.105 / 2.67	120u" ~ 200u" / 3.04um ~ 5.08um TIN/LEAD	↓
-167	↓	↓	↓	.150 / 3.81	30u" / 0.76u MIN (NOTE 17) OVER 50u" / 1.27u NI	NOTE 16.19
-168	↓	↓	↓	.150 / 3.81	120u" ~ 200u" / 3.04um ~ 5.08um TIN/LEAD	NOTE 16.19
-169	↓	↓	↓	.675/17,15	30u" / 0.76u MIN (NOTE 17) OVER 50u" / 1.27u NI	↓
-170	2x5	↓	.400/10,160	.675/17,15	120u" ~ 200u" / 3.04um ~ 5.08um TIN/LEAD	A
-171	2x7	↓	.600/15,240	.105 / 2.67	30u" / 0.76u MIN (NOTE 17) OVER 50u" / 1.27u NI	C
-172	↓	↓	↓	.105 / 2.67	120u" ~ 200u" / 3.04um ~ 5.08um TIN/LEAD	NOTE 16.19
-173	↓	↓	↓	.150 / 3.81	30u" / 0.76u MIN (NOTE 17) OVER 50u" / 1.27u NI	NOTE 16.19
-174	↓	↓	↓	.150 / 3.81	120u" ~ 200u" / 3.04um ~ 5.08um TIN/LEAD	NOTE 16.19
-175	↓	↓	↓	.675/17,15	30u" / 0.76u MIN (NOTE 17) OVER 50u" / 1.27u NI	↓
-176	2x7	↓	.600/15,240	.675/17,15	120u" ~ 200u" / 3.04um ~ 5.08um TIN/LEAD	C
-177	2x8	↓	.700/17,780	.105 / 2.67	30u" / 0.76u MIN (NOTE 17) OVER 50u" / 1.27u NI	D
-178	2x8	↓	.700/17,780	.105 / 2.67	120u" ~ 200u" / 3.04um ~ 5.08um TIN/LEAD	NOTE 16.19
-179	2x8	↓	.700/17,780	.150 / 3.81	30u" / 0.76u MIN (NOTE 17) OVER 50u" / 1.27u NI	D
65863-180	2x8	LP	.700/17,780	.150 / 3.81	120u" ~ 200u" / 3.04um ~ 5.08um TIN/LEAD	D

NOTE 16.19

NOTE 16.19

NOTE 16.19

NOTE 16.19

NOTE 16.19

NOTE 16.19

NOTE 16.19

NOTE 16.19

NOTE 16.19

NOTE 16.19

NOTE 16.19

NOTE 16.19

mat'l code		surface		tolerance		projection		product family	
ltr	ecn no	dr	date	ISO 1302	ISO 1101	MM	MM	QUICKIE	QUICKIE
BC				tolerances unless otherwise specified	linear	XXXL05/XXXL03	XXXL00/XXXL01	HEADER, QUICKIE	SEA-HORSE, VERTICAL
				angles	0±2°				
				dr	M. CORNMANN	8/21/90			
				engr	M. SMYK	8/21/90			
				chr	M. SMYK	8/21/90			
				pppd	M. SMYK	8/21/90			
sheet	revision								
index	sheet								

sheet 7 of 23 size A3

Amphenol FCI

type Product Customer Drawing

Amphenol FCI

65863

SEA-HORSE, VERTICAL

HEADER, QUICKIE

QUICKIE

MM

scale 1:1

ISO 1302

ISO 1101

tolerances unless otherwise specified

linear

angles

dr

engr

chr

pppd

sheet

index

revision

sheet

date

dr

ecn no

ltr

mat'l code

product family

projection

surface

tolerance

MM

scale 1:1

ISO 1302

ISO 1101

tolerances unless otherwise specified

linear

angles

dr

engr

chr

pppd

sheet

index

revision

sheet

date

dr

ecn no

ltr

mat'l code

product family

projection

surface

tolerance

MM

scale 1:1

ISO 1302

ISO 1101

tolerances unless otherwise specified

linear

angles

dr

engr

chr

pppd

sheet

index

revision

sheet

date

dr

ecn no

ltr

mat'l code

product family

projection

surface

tolerance

MM

scale 1:1

ISO 1302

ISO 1101

tolerances unless otherwise specified

linear

angles

dr

engr

chr

pppd

sheet

index

revision

sheet

date

dr

ecn no

ltr

mat'l code

product family

projection

surface

tolerance

MM

scale 1:1

ISO 1302

ISO 1101

tolerances unless otherwise specified

linear

angles

dr

engr

chr

pppd

sheet

index

revision

sheet

date

dr

ecn no

ltr

mat'l code

product family

projection

surface

tolerance

MM

scale 1:1

ISO 1302

ISO 1101

tolerances unless otherwise specified

linear

angles

dr

engr

chr

pppd

sheet

index

revision

sheet

date

dr

ecn no

ltr

mat'l code

product family

projection

surface

tolerance

MM

scale 1:1

ISO 1302

ISO 1101

tolerances unless otherwise specified

linear

angles

dr

engr

chr

pppd

sheet

index

revision

sheet

date

dr

ecn no

ltr

mat'l code

product family

projection

surface

tolerance

MM

scale 1:1

ISO 1302

ISO 1101

tolerances unless otherwise specified

linear

angles

dr

engr

chr

pppd

sheet

index

revision

sheet

date

dr

ecn no

ltr

mat'l code

product family

projection

surface

tolerance

MM

scale 1:1

ISO 1302

ISO 1101

tolerances unless otherwise specified

PRODUCT NO NOTE 12.13	SIZE	LATCH NOTE 8	DIM B	DIM D	TERMINAL PLATING	STYLE
65863-181	2x8	LP	.700/17.780	.675/17.15	30u"/0.76u MIN (NOTE 17) OVER 50u"/1.27u NI	D
-182	2x8		.700/17.780	.675/17.15	120u"~200u"/3.04um~5.08umTIN/LEAD	NOTE 16.19
-183	2x10		.900/22.860	.105/ 2.67	30u"/0.76u MIN (NOTE 17) OVER 50u"/1.27u NI	NOTE 16.19
-184				.105/ 2.67	120u"~200u"/3.04um~5.08umTIN/LEAD	NOTE 16.19
-185				.150/ 3.81	30u"/0.76u MIN (NOTE 17) OVER 50u"/1.27u NI	NOTE 16.19
-186				.150/ 3.81	120u"~200u"/3.04um~5.08umTIN/LEAD	NOTE 16.19
-187				.675/17.15	30u"/0.76u MIN (NOTE 17) OVER 50u"/1.27u NI	NOTE 16.19
-188	2x10		.900/22.860	.675/17.15	120u"~200u"/3.04um~5.08umTIN/LEAD	NOTE 16.19
-189	2x13		1.200/30.480	.105/ 2.67	30u"/0.76u MIN (NOTE 17) OVER 50u"/1.27u NI	NOTE 16.19
-190				.105/ 2.67	120u"~200u"/3.04um~5.08umTIN/LEAD	NOTE 16.19
-191				.150/ 3.81	30u"/0.76u MIN (NOTE 17) OVER 50u"/1.27u NI	NOTE 16.19
-192				.150/ 3.81	120u"~200u"/3.04um~5.08umTIN/LEAD	NOTE 16.19
-193				.675/17.15	30u"/0.76u MIN (NOTE 17) OVER 50u"/1.27u NI	NOTE 16.19
-194	2x13		1.200/30.480	.675/17.15	120u"~200u"/3.04um~5.08umTIN/LEAD	NOTE 16.19
-195	2x17		1.600/40.640	.105/ 2.67	30u"/0.76u MIN (NOTE 17) OVER 50u"/1.27u NI	NOTE 16.19
-196				.105/ 2.67	120u"~200u"/3.04um~5.08umTIN/LEAD	NOTE 16.19
-197				.150/ 3.81	30u"/0.76u MIN (NOTE 17) OVER 50u"/1.27u NI	NOTE 16.19
-198				.150/ 3.81	120u"~200u"/3.04um~5.08umTIN/LEAD	NOTE 16.19
-199				.675/17.15	30u"/0.76u MIN (NOTE 17) OVER 50u"/1.27u NI	NOTE 16.19
-200	2x17		1.600/40.640	.675/17.15	120u"~200u"/3.04um~5.08umTIN/LEAD	NOTE 16.19
-201	2x20		1.900/48.260	.105/ 2.67	30u"/0.76u MIN (NOTE 17) OVER 50u"/1.27u NI	NOTE 16.19
-202				.105/ 2.67	120u"~200u"/3.04um~5.08umTIN/LEAD	NOTE 16.19
-203				.150/ 3.81	30u"/0.76u MIN (NOTE 17) OVER 50u"/1.27u NI	NOTE 16.19
-204				.150/ 3.81	120u"~200u"/3.04um~5.08umTIN/LEAD	NOTE 16.19
-205				.675/17.15	30u"/0.76u MIN (NOTE 17) OVER 50u"/1.27u NI	NOTE 16.19
-206	2x20		1.900/48.260	.675/17.15	120u"~200u"/3.04um~5.08umTIN/LEAD	NOTE 16.19
-207	2x25		2.400/60.960	.105/ 2.67	30u"/0.76u MIN (NOTE 17) OVER 50u"/1.27u NI	NOTE 16.19
-208				.105/ 2.67	120u"~200u"/3.04um~5.08umTIN/LEAD	NOTE 16.19
-209				.150/ 3.81	30u"/0.76u MIN (NOTE 17) OVER 50u"/1.27u NI	NOTE 16.19
-210				.150/ 3.81	120u"~200u"/3.04um~5.08umTIN/LEAD	NOTE 16.19
-211				.675/17.15	30u"/0.76u MIN (NOTE 17) OVER 50u"/1.27u NI	NOTE 16.19
-212	2x25		2.400/60.960	.675/17.15	120u"~200u"/3.04um~5.08umTIN/LEAD	NOTE 16.19
-213	2x30		2.900/73.660	.105/ 2.67	30u"/0.76u MIN (NOTE 17) OVER 50u"/1.27u NI	NOTE 16.19
-214	2x30		2.900/73.660	.105/ 2.67	120u"~200u"/3.04um~5.08umTIN/LEAD	NOTE 16.19
-215	2x30		2.900/73.660	.150/ 3.81	30u"/0.76u MIN (NOTE 17) OVER 50u"/1.27u NI	NOTE 16.19
65863-216	2x30	LP	2.900/73.660	.150/ 3.81	120u"~200u"/3.04um~5.08umTIN/LEAD	D

mat'l code	sur-face	toler-ance	proj-ec-tion	prod-uct family
ltr ecn no	ISO 1302	ISO 1101		QUICKIE
date	tolerances unless otherwise specified	XX.X0/XX.0	MM	HEADER, QUICKIE
angles	linear	XX.X0/XX.0	Scale 1:1	SEA-HORSE, VERTICAL
0+2°		XX.X0/XX.0		sheet no 65863
dr	M. CORNMANN	8/21/90		sheet 8 of 23 size
engr	M. SMYK	8/21/90		type Product Customer Drawing
chr	M. SMYK	8/21/90		
pppd	M. SMYK	8/21/90		
sheet revision				
index sheet				

PRODUCT NO NOTES 12,13	SIZE	LATCH NOTE 8	DIM B	DIM D	TERMINAL PLATING	STYLE
65863-217	2x30	LP	2.900/73,660	.675/17,15	30u"/0.76u MIN (NOTE 17) OVER 50u"/1.27u NI	D
-218	2x30		2.900/73,660	.675/17,15	120u"~200u"/3.04um~5.08umTIN/LEAD	D
-219	2x5		.400/10,160	.105/ 2.67	30u"/0.76u MIN (NOTE 17) OVER 50u"/1.27u NI	A
-220	2x7		.600/15,240			C
-221	2x8		.700/17,780			D
-222	2x10		.900/22,860			D
-223	2x13		1.200/30,480			D
-224	2x17		1.600/40,640			D
-225	2x20		1.900/48,260			D
-226	2x25		2.400/60,960			D
-227	2x30		2.900/73,660	.105/ 2.67		D
-228	2x20		1.900/48,260	.150/ 3.81		D
-229	2x5		.400/10,160			A
-230	2x7		.600/15,240			C
-231	2x8		.700/17,780			D
-232	2x10		.900/22,860			D
-233	2x13		1.200/30,480			D
-234	2x17		1.600/40,640			D
-235	2x20		1.900/48,260			D
-236	2x25		2.400/60,960			D
-237	2x30		2.900/73,660	.150/ 3.81	30u"/0.76u MIN (NOTE 17) OVER 50u"/1.27u NI	D
-238	2x5		.400/10,160	.675/17,15	15u"/0.38u MIN (NOTE 17) OVER 50u"/1.27u NI	A
-239	2x7		.600/15,240			C
-240	2x8		.700/17,780			D
-241	2x10		.900/22,860			D
-242	2x13		1.200/30,480			D
-243	2x17		1.600/40,640			D
-244	2x20		1.900/48,260			D
-245	2x25		2.400/60,960			D
-246	2x30	LP	2.900/73,660	.675/17,15	15u"/0.38u MIN (NOTE 17) OVER 50u"/1.27u NI	D
-247	2x5	NO	.400/10,160	.105/ 2.67	30u"/0.76u MIN (NOTE 17) OVER 50u"/1.27u NI	A
-248	2x7		.600/15,240			C
-249	2x8		.700/17,780			D
-250	2x10		.900/22,860			D
-251	2x13		1.200/30,480			D
65863-252	2x17	NO	1.600/40,640	.105/ 2.67	30u"/0.76u MIN (NOTE 17) OVER 50u"/1.27u NI	D

PRODUCT NO	SIZE	LATCH	DIM B	DIM D	TERMINAL PLATING	STYLE
65863-217	2x30	LP	2.900/73,660	.675/17,15	30u"/0.76u MIN (NOTE 17) OVER 50u"/1.27u NI	D
-218	2x30		2.900/73,660	.675/17,15	120u"~200u"/3.04um~5.08umTIN/LEAD	D
-219	2x5		.400/10,160	.105/ 2.67	30u"/0.76u MIN (NOTE 17) OVER 50u"/1.27u NI	A
-220	2x7		.600/15,240			C
-221	2x8		.700/17,780			D
-222	2x10		.900/22,860			D
-223	2x13		1.200/30,480			D
-224	2x17		1.600/40,640			D
-225	2x20		1.900/48,260			D
-226	2x25		2.400/60,960			D
-227	2x30		2.900/73,660	.105/ 2.67		D
-228	2x20		1.900/48,260	.150/ 3.81		D
-229	2x5		.400/10,160			A
-230	2x7		.600/15,240			C
-231	2x8		.700/17,780			D
-232	2x10		.900/22,860			D
-233	2x13		1.200/30,480			D
-234	2x17		1.600/40,640			D
-235	2x20		1.900/48,260			D
-236	2x25		2.400/60,960			D
-237	2x30		2.900/73,660	.150/ 3.81	30u"/0.76u MIN (NOTE 17) OVER 50u"/1.27u NI	D
-238	2x5		.400/10,160	.675/17,15	15u"/0.38u MIN (NOTE 17) OVER 50u"/1.27u NI	A
-239	2x7		.600/15,240			C
-240	2x8		.700/17,780			D
-241	2x10		.900/22,860			D
-242	2x13		1.200/30,480			D
-243	2x17		1.600/40,640			D
-244	2x20		1.900/48,260			D
-245	2x25		2.400/60,960			D
-246	2x30	LP	2.900/73,660	.675/17,15	15u"/0.38u MIN (NOTE 17) OVER 50u"/1.27u NI	D
-247	2x5	NO	.400/10,160	.105/ 2.67	30u"/0.76u MIN (NOTE 17) OVER 50u"/1.27u NI	A
-248	2x7		.600/15,240			C
-249	2x8		.700/17,780			D
-250	2x10		.900/22,860			D
-251	2x13		1.200/30,480			D
65863-252	2x17	NO	1.600/40,640	.105/ 2.67	30u"/0.76u MIN (NOTE 17) OVER 50u"/1.27u NI	D

mat'l code		surface		tolerance		projection		product family	
ltn	ecn no	dr	date	ISO 1302	ISO 1101	MM	MM	QUICKIE	QUICKIE
BC				tolerances unless otherwise specified	linear	MM	MM	HEADER, QUICKIE	SEA-HORSE, VERTICAL
				angles	0±2°	MM	MM		
				dr	M. CORNMANN	8/21/90	8/21/90		
				engr	M. SMYK	8/21/90	8/21/90		
				chr	M. SMYK	8/21/90	8/21/90		
				pppd	M. SMYK	8/21/90	8/21/90		
sheet	revision								
index	sheet								
title		sheet no		sheet 9 of 23		size		A3	
SEA-HORSE, VERTICAL		65863		Customer		Drawing		A3	

1 2 3 4 5 6

PRODUCT NO NOTE 12,15	SIZE	LATCH NOTE 8	DIM B	DIM D	TERMINAL PLATING	STYLE
65863-253	2x20	NO	1.900/48,260	.105/ 2.67	30u" / 0.76u MIN (NOTE 17) OVER 50u" / 1.27u NI	D
-254	2x25	↓	2.400/60,960	.105/ 2.67	↓	D
-255	2x30	↓	2.900/73,660	.105/ 2.67	↓	D
-256	2x5		.400/10,160	.675/17,15		A
-257	2x7		.600/15,240	↓		C
-258	2x8		.700/17,780	↓		D
-259	2x10		.900/22,860	↓		↓
-260	2x13		1.200/30,480	↓		↓
-261	2x17		1.600/40,640	↓		↓
-262	2x20		1.900/48,260	↓		↓
-263	2x25	↓	2.400/60,960	.675/17,15	↓	D
-264	2x30	NO	2.900/73,660	.675/17,15	↓	D
-265	2x5	STD	.400/10,160	.105/ 2.67		A
-266	2x7	↓	.600/15,240	↓		C
-267	2x8	↓	.700/17,780	↓		D
-268	2x10		.900/22,860	↓		↓
-269	2x13		1.200/30,480	↓		↓
-270	2x17		1.600/40,640	↓		↓
-271	2x20		1.900/48,260	↓		↓
-272	2x25		2.400/60,960	↓		↓
-273	2x30		2.900/73,660	.105/ 2.67		D
-274	2x5		.400/10,160	.675/17,15		A
-275	2x7		.600/15,240	↓		C
-276	2x8		.700/17,780	↓		D
-277	2x10		.900/22,860	↓		↓
-278	2x13		1.200/30,480	↓		↓
-279	2x17		1.600/40,640	↓		↓
-280	2x20		1.900/48,260	↓		↓
-281	2x25	↓	2.400/60,960	↓		↓
-282	2x30	STD	2.900/73,660	.675/17,15		D
-283	2x5	LP	.400/10,160	.105/ 2.67		A
-284	2x7	↓	.600/15,240	↓		C
-285	2x8	↓	.700/17,780	↓		D
-286	2x10		.900/22,860	↓		D
-287	2x13	↓	1.200/30,480	↓		D
65863-288	2x17	LP	1.600/40,640	.105/ 2.67	30u" / 0.76u MIN (NOTE 17) OVER 50u" / 1.27u NI	D



© 2016 AFCI

form: A3-2016-02-24

1

2

3 PDS: Rev: BG

4

5

6

mat'l code		surface		tolerance		projection		product family	
ltn	ecn no	dr	date	ISO 1302	ISO 1101	MM	MM	QUICKIE	QUICKIE
BC				tolerances unless otherwise specified	tolerances unless otherwise specified	linear	MM	HEADER, QUICKIE	SEA-HORSE, VERTICAL
				angles	angles	0±2°	MM		
				dr	dr	M. CORNMANN	8/21/90		
				engr	engr	M. SMYK	8/21/90		
				chr	chr	M. SMYK	8/21/90		
				pppd	pppd	M. SMYK	8/21/90		
sheet	revision								
index	sheet								
title		sheet no		sheet10 of 23size		type		Product Customer Drawing	
SEA-HORSE, VERTICAL		65863		A3					

1 2 3 4 5 6

PRODUCT NO NOTE 12,13	SIZE	LATCH NOTE 8	DIM B	DIM D	TERMINAL PLATING	STYLE
65863-325	2x20	STD	1.900/48.260	.105/ 2.67	15u"/0.38u MIN (NOTE 17) OVER 50u"/1.27u NI	D
-326	2x25	↓	2.400/60.960	.105/ 2.67	↓	D
-327	2x30	↓	2.900/73.660	.105/ 2.67	↓	D
-328	2x5	↓	.400/10.160	.150/ 3.81	↓	A
-329	2x7	↓	.600/15.240	↓	↓	C
-330	2x8	↓	.700/17.780	↓	↓	D
-331	2x10	↓	.900/22.860	↓	↓	↓
-332	2x13	↓	1.200/30.480	↓	↓	↓
-333	2x17	↓	1.600/40.640	↓	↓	↓
-334	2x20	↓	1.900/48.260	↓	↓	↓
-335	2x25	↓	2.400/60.960	↓	↓	↓
-336	2x30	STD	2.900/73.660	.150/ 3.81	↓	D
-337	2x5	LP	.400/10.160	.105/ 2.67	↓	A
-338	2x7	↓	.600/15.240	↓	↓	C
-339	2x8	↓	.700/17.780	↓	↓	D
-340	2x10	↓	.900/22.860	↓	↓	↓
-341	2x13	↓	1.200/30.480	↓	↓	↓
-342	2x17	↓	1.600/40.640	↓	↓	↓
-343	2x20	↓	1.900/48.260	↓	↓	↓
-344	2x25	↓	2.400/60.960	.105/ 2.67	↓	D
-345	2x30	↓	2.900/73.660	↓	↓	↓
-346	2x5	↓	.400/10.160	.150/ 3.81	↓	A
-347	2x7	↓	.600/15.240	↓	↓	C
-348	2x8	↓	.700/17.780	↓	↓	D
-349	2x10	↓	.900/22.860	↓	↓	↓
-350	2x13	↓	1.200/30.480	↓	↓	↓
-351	2x17	↓	1.600/40.640	↓	↓	↓
-352	2x20	↓	1.900/48.260	↓	↓	↓
-353	2x25	↓	2.400/60.960	↓	↓	↓
-354	2x30	LP	2.900/73.660	.150/ 3.81	↓	D
-355	2x5	NO	.400/10.160	.105/ 2.67	↓	B
-356	↓	NO	↓	↓	15u"/0.38u MIN (NOTE 17) OVER 50u"/1.27u NI	↓
-357	↓	NO	↓	↓	30u"/0.76u MIN (NOTE 17) OVER 50u"/1.27u NI	↓
-358	↓	NO	↓	↓	120u"~200u"/3.04um~5.08umTIN/LEAD	↓
-359	↓	STD	↓	↓	30u"/0.76u MIN (NOTE 17) OVER 50u"/1.27u NI	↓
65863-360	2x5	STD	.400/10.160	.105/ 2.67	15u"/0.38u MIN (NOTE 17) OVER 50u"/1.27u NI	B

NOTE 16,19

C

B

A

D

form: A3-2016-02-24 1 2 3 4 5 6

PDS: Rev :B6

STATUS: Released Printed: Jan 23, 2017

mat'l code	surface	tolerance	projection	product family
ISD 1302	ISD 1101	MM	QUICKIE	QUICKIE
trn ecn no	dr	date	angles	linear
BC			0+2°	M. CORNMANN 8/21/90
				M. SMYK 8/21/90
				M. SMYK 8/21/90
				M. SMYK 8/21/90
sheet	revision			
index	sheet			
title		SEA-HORSE, VERTICAL		
sheet no		65863		
sheet size		A3		
type		Product Customer Drawing		

PRODUCT NO NOTE 12,13	SIZE	LATCH NOTE 8	DIM B	DIM D	TERMINAL PLATING	STYLE
65863-361	2x5	STD	.400/10.160	.105/ 2.67	30u" /0.76u MIN (NOTE 17) OVER 50u" /1.27u NI	B
-362	↑	STD			120u-200u" /3.04u-5.08u TIN/LEAD	NOTE 16,19
-363	LP	LP			30u" /0.76u MIN (NOTE 17) OVER 50u" /1.27u NI	
-364	LP	LP			15u" /0.38u MIN (NOTE 17) OVER 50u" /1.27u NI	
-365	LP	LP			30u" /0.76u MIN (NOTE 17) OVER 50u" /1.27u NI	
-366	LP	LP			120u-200u" /3.04u-5.08u TIN/LEAD	NOTE 16,19
-367	NO	NO			30u" /0.76u MIN (NOTE 17) OVER 50u" /1.27u NI	
-368	NO	NO			15u" /0.38u MIN (NOTE 17) OVER 50u" /1.27u NI	
-369	NO	NO			30u" /0.76u MIN (NOTE 17) OVER 50u" /1.27u NI	
-370	NO	NO			120u-200u" /3.04u-5.08u TIN/LEAD	NOTE 16,19
-371	STD	STD			30u" /0.76u MIN (NOTE 17) OVER 50u" /1.27u NI	
-372	STD	STD			15u" /0.38u MIN (NOTE 17) OVER 50u" /1.27u NI	
-373	STD	STD			30u" /0.76u MIN (NOTE 17) OVER 50u" /1.27u NI	
-374	STD	STD			120u-200u" /3.04u-5.08u TIN/LEAD	NOTE 16,19
-375	LP	LP			30u" /0.76u MIN (NOTE 17) OVER 50u" /1.27u NI	
-376	LP	LP			15u" /0.38u MIN (NOTE 17) OVER 50u" /1.27u NI	
-377	LP	LP			30u" /0.76u MIN (NOTE 17) OVER 50u" /1.27u NI	
-378	LP	LP			120u-200u" /3.04u-5.08u TIN/LEAD	NOTE 16,19
-379	NO	NO			30u" /0.76u MIN (NOTE 17) OVER 50u" /1.27u NI	
-380	NO	NO			15u" /0.38u MIN (NOTE 17) OVER 50u" /1.27u NI	
-381	NO	NO			30u" /0.76u MIN (NOTE 17) OVER 50u" /1.27u NI	
-382	NO	NO			120u-200u" /3.04u-5.08u TIN/LEAD	NOTE 16,19
-383	STD	STD			30u" /0.76u MIN (NOTE 17) OVER 50u" /1.27u NI	
-384	STD	STD			15u" /0.38u MIN (NOTE 17) OVER 50u" /1.27u NI	
-385	STD	STD			30u" /0.76u MIN (NOTE 17) OVER 50u" /1.27u NI	
-386	STD	STD			120u-200u" /3.04u-5.08u TIN/LEAD	NOTE 16,19
-387	LP	LP			30u" /0.76u MIN (NOTE 17) OVER 50u" /1.27u NI	
-388	LP	LP			15u" /0.38u MIN (NOTE 17) OVER 50u" /1.27u NI	
-389	LP	LP			30u" /0.76u MIN (NOTE 17) OVER 50u" /1.27u NI	
-390	LP	LP			120u-200u" /3.04u-5.08u TIN/LEAD	NOTE 16,19
-391	STD	STD			30u" /0.76u MIN (NOTE 17) OVER 50u" /1.27u NI	
-392	NO	NO			30u" /0.76u MIN (NOTE 17) OVER 50u" /1.27u NI	
-393	LP	LP			30u" /0.76u MIN (NOTE 17) OVER 50u" /1.27u NI	D
-394	NO	NO			15u" /0.38u MIN (NOTE 17) OVER 50u" /1.27u NI	A
65863-395	2x5	STD	.400/10.160	.105/ 2.67	15u" /0.38u MIN (NOTE 17) OVER 50u" /1.27u NI	A



mat'l code		surface		tolerance		projection		product family	
ltr	ecn no	dr	date	ISO 1302	ISO 1101	MM	MM	QUICKIE	QUICKIE
BC				tolerances unless otherwise specified	linear	angular	scale 1:1	HEADER, QUICKIE	SEA-HORSE, VERTICAL
					XXXL05/XXXL03	XXXL05/XXXL03			
					XXXL00/XXXL05	XXXL00/XXXL05			
					dr	M. CORNMANN	8/21/90		
					engr	M. SMYK	8/21/90		
					chr	M. SMYK	8/21/90		
					pppd	M. SMYK	8/21/90		
sheet	revision							65863	sheet 13 of 23 size A3
index	sheet							Product Customer	Drawing

1 2 3 4 5 6

PRODUCT NO NOTE 12,13	SIZE	LATCH NOTE 8	DIM B	DIM D	TERMINAL PLATING	STYLE
65863-396	2x5	LP	.400/10.160	.105/ 2.67	15u"/0.38u MIN (NOTE 17) OVER 50u"/1.27u NI	A
-397		NO		.150/ 3.81		A
-398		STD		.150/ 3.81		A
-399		LP		.150/ 3.81		A
-400		NO		.105/ 2.67		B
-401		STD		.105/ 2.67		B
-402		LP		.105/ 2.67		B
-403		NO		.150/ 3.81		A
-404		STD		.150/ 3.81		A
-405	2x5	LP	.400/10.160	.150/ 3.81		B
-406	2x7	NO	.600/15.240	.105/ 2.67		C
-407		STD		.105/ 2.67		C
-408		LP		.105/ 2.67		C
-409		NO		.150/ 3.81		C
-410		STD		.150/ 3.81		C
-411	2x7	LP	.600/15.240	.150/ 3.81		C
-412	2x8	NO	.700/17.780	.105/ 2.67		D
-413		STD		.105/ 2.67		D
-414		LP		.105/ 2.67		D
-415		NO		.150/ 3.81		D
-416		STD		.150/ 3.81		D
-417	2x8	LP	.700/17.780	.150/ 3.81		D
-418	2x10	NO	.900/22.860	.105/ 2.67		D
-419		STD		.105/ 2.67		D
-420		LP		.105/ 2.67		D
-421		NO		.150/ 3.81		D
-422		STD		.150/ 3.81		D
-423	2x10	LP	.900/22.860	.150/ 3.81		D
-424	2x13	NO	1.200/30.480	.105/ 2.67		D
-425		STD		.105/ 2.67		D
-426		LP		.105/ 2.67		D
-427		NO		.150/ 3.81		D
-428		STD		.150/ 3.81		D
-429	2x13	LP	1.200/30.480	.150/ 3.81		D
65863-430	2x17	NO	1.600/40.640	.105/ 2.67	15u"/0.38u MIN (NOTE 17) OVER 50u"/1.27u NI	D



© 2016 AFCI

form: A3-2016-02-24 1 2 3 4 5 6

PDS: Rev :B6

STATUS:Released Printed: Jan 23, 2017

mat'l code	surface	tolerance	projection	product family
ltn ecn no	ISD 1302	ISO 1101	MM	QUICKIE
date	tolerances unless otherwise specified	XXE10/XXE13	1:1	HEADER, QUICKIE
angles	linear	XXE10/XXE13	MM	SEA-HORSE, VERTICAL
0+2°		XXE10/XXE13	MM	
df	M. CORNMANN	8/21/90	Amphenol FCI	sheet no
engr	M. SMYK	8/21/90		65863
chr	M. SMYK	8/21/90		sheet 14 of 23 size
pppd	M. SMYK	8/21/90		A3
sheet	revision			type Product Customer Drawing
index	sheet			

PRODUCT NO NOTES 12,13	SIZE	LATCH NOTE 8	DIM B	DIM D	TERMINAL PLATING	PIN STYLE	MISSING
65863-431	2x17	STD	1,600/40,640	.105/ 2,67	15u"/0.38u MIN (NOTE 17) OVER 50u"/1,27u NI	D	NONE
-432		LP		.105/ 2,67			
-433		NO		.150/ 3,81			
-434		STD		.150/ 3,81			
-435	2x17	LP	1,600/40,640	.150/ 3,81			
-436	2x20	NO	1,900/48,280	.105/ 2,67			
-437		STD		.105/ 2,67			
-438		LP		.105/ 2,67			
-439		NO		.150/ 3,81			
-440		STD		.150/ 3,81			
-441	2x20	LP	1,900/48,280	.150/ 3,81			
-442	2x25	NO	2,400/60,960	.105/ 2,67			
-443		STD		.105/ 2,67			
-444		LP		.105/ 2,67			
-445		NO		.150/ 3,81			
-446		STD		.150/ 3,81			
-447	2x25	LP	2,400/60,960	.150/ 3,81			
-448	2x30	NO	2,900/73,660	.105/ 2,67			
-449		STD		.105/ 2,67			
-450		LP		.105/ 2,67			
-451		NO		.150/ 3,81			
-452		STD		.150/ 3,81			
-453	2x30	LP	2,900/73,660	.150/ 3,81			
-454	2x12	NO	1,100/27,940	.105/ 2,67			
-455	2x12	STD					
-456	2x12	LP					
-456S	2x12	LP					
-457	2x12	NO					
-458		STD					
-459		LP					
-460		NO					
-461		STD					
-462		LP					
-463		NO					
-464		STD					
65863-465	2x12	LP	1,100/27,940	.105/ 2,67	120u"-200u"/3,04u-5,08uTIN/LEAD	D	NONE

PRODUCT NO NOTES 12,13	SIZE	LATCH NOTE 8	DIM B	DIM D	TERMINAL PLATING	PIN STYLE	MISSING
65863-431	2x17	STD	1,600/40,640	.105/ 2,67	15u"/0.38u MIN (NOTE 17) OVER 50u"/1,27u NI	D	NONE
-432		LP		.105/ 2,67			
-433		NO		.150/ 3,81			
-434		STD		.150/ 3,81			
-435	2x17	LP	1,600/40,640	.150/ 3,81			
-436	2x20	NO	1,900/48,280	.105/ 2,67			
-437		STD		.105/ 2,67			
-438		LP		.105/ 2,67			
-439		NO		.150/ 3,81			
-440		STD		.150/ 3,81			
-441	2x20	LP	1,900/48,280	.150/ 3,81			
-442	2x25	NO	2,400/60,960	.105/ 2,67			
-443		STD		.105/ 2,67			
-444		LP		.105/ 2,67			
-445		NO		.150/ 3,81			
-446		STD		.150/ 3,81			
-447	2x25	LP	2,400/60,960	.150/ 3,81			
-448	2x30	NO	2,900/73,660	.105/ 2,67			
-449		STD		.105/ 2,67			
-450		LP		.105/ 2,67			
-451		NO		.150/ 3,81			
-452		STD		.150/ 3,81			
-453	2x30	LP	2,900/73,660	.150/ 3,81			
-454	2x12	NO	1,100/27,940	.105/ 2,67			
-455	2x12	STD					
-456	2x12	LP					
-456S	2x12	LP					
-457	2x12	NO					
-458		STD					
-459		LP					
-460		NO					
-461		STD					
-462		LP					
-463		NO					
-464		STD					
65863-465	2x12	LP	1,100/27,940	.105/ 2,67	120u"-200u"/3,04u-5,08uTIN/LEAD	D	NONE

NOTE 18

NOTE 16,19
NOTE 16,19
NOTE 16,19



mat'l code		surface		tolerance		projection		product family	
ltr	ecn no	dr	date	ISO 1302	ISO 1101	MM	MM	QUICKIE	QUICKIE
BC				tolerances unless otherwise specified				HEADER, QUICKIE	
				linear	XXL05/XXL03			SEA-HORSE, VERTICAL	
				0+2*	XXXX000 XXXX050	scale 1:1			
				dr	M. CORNMANN	8/21/90			
				engr	M. SMYK	8/21/90			
				chr	M. SMYK	8/21/90			
				pppd	M. SMYK	8/21/90			
sheet	revision			Amphenol FCI		dwg no		65863	sheet 15 of 23 size A3
index	sheet			type Product Customer Drawing					

PRODUCT NO NOTE 12,13	SIZE	LAIC/I NOTE 8	DIM B	DIM D	TERMINAL PLATING	STYLE
65863-466	2x12	NO	1,100/27,940	.150/3.81	15u"/0.38u MIN (NOTE 17) OVER 50u"/1.27u NI	D
-467		STD			15u"/0.38u MIN (NOTE 17) OVER 50u"/1.27u NI	
-468		LP			15u"/0.38u MIN (NOTE 17) OVER 50u"/1.27u NI	
-469		NO			30u"/0.76u MIN (NOTE 17) OVER 50u"/1.27u NI	
-470		STD			30u"/0.76u MIN (NOTE 17) OVER 50u"/1.27u NI	
-471		LP			30u"/0.76u MIN (NOTE 17) OVER 50u"/1.27u NI	
-472		NO			30u"/0.76u MIN (NOTE 17) OVER 50u"/1.27u NI	
-473		STD			30u"/0.76u MIN (NOTE 17) OVER 50u"/1.27u NI	
-474		LP			30u"/0.76u MIN (NOTE 17) OVER 50u"/1.27u NI	
-475		NO			120u-200u"/3.04u-5.08u TIN/LEAD	NOTE 16,19
-476		STD			120u-200u"/3.04u-5.08u TIN/LEAD	NOTE 16,19
-477		LP		.150/3.81	120u-200u"/3.04u-5.08u TIN/LEAD	NOTE 16,19
-478		NO		.105/2.67	15u"/0.38u MIN (NOTE 17) OVER 50u"/1.27u NI	
-479		STD			15u"/0.38u MIN (NOTE 17) OVER 50u"/1.27u NI	
-480		LP			15u"/0.38u MIN (NOTE 17) OVER 50u"/1.27u NI	
-481		NO			30u"/0.76u MIN (NOTE 17) OVER 50u"/1.27u NI	
-482		STD			30u"/0.76u MIN (NOTE 17) OVER 50u"/1.27u NI	
-483		LP		.105/2.67	30u"/0.76u MIN (NOTE 17) OVER 50u"/1.27u NI	
-484		NO		.150/3.81	15u"/0.38u MIN (NOTE 17) OVER 50u"/1.27u NI	
-485		STD		.150/3.81	15u"/0.38u MIN (NOTE 17) OVER 50u"/1.27u NI	
-486		LP		.150/3.81	15u"/0.38u MIN (NOTE 17) OVER 50u"/1.27u NI	
-487		NO		.675/17.15	15u"/0.38u MIN (NOTE 17) OVER 50u"/1.27u NI	
-488		STD			15u"/0.38u MIN (NOTE 17) OVER 50u"/1.27u NI	
-489		LP			15u"/0.38u MIN (NOTE 17) OVER 50u"/1.27u NI	
-490		NO			30u"/0.76u MIN (NOTE 17) OVER 50u"/1.27u NI	
-491		STD			30u"/0.76u MIN (NOTE 17) OVER 50u"/1.27u NI	
-492		LP			30u"/0.76u MIN (NOTE 17) OVER 50u"/1.27u NI	
-493		NO			30u"/0.76u MIN (NOTE 17) OVER 50u"/1.27u NI	
-494		STD			30u"/0.76u MIN (NOTE 17) OVER 50u"/1.27u NI	
-495		LP			30u"/0.76u MIN (NOTE 17) OVER 50u"/1.27u NI	
-496		NO			120u-200u"/3.04u-5.08u TIN/LEAD	NOTE 16,19
-497		STD			120u-200u"/3.04u-5.08u TIN/LEAD	NOTE 16,19
-498	2x12	LP	1,100/27,940	.675/17.15	120u-200u"/3.04u-5.08u TIN/LEAD	
-499	2x15	NO	1,400/35,560	.105/2.67	15u"/0.38u MIN (NOTE 17) OVER 50u"/1.27u NI	
65863-500	2x15	STD	1,400/35,560	.105/2.67	15u"/0.38u MIN (NOTE 17) OVER 50u"/1.27u NI	D



mat'l code		surface		tolerance		projection		product family	
lfr	ecn no	dr	date	ISO 1302	ISO 1101	XXL0/XXL3	MM	HEADER, QUICKIE	QUICKIE
BC				tolerances unless otherwise specified		linear	MM	SEA-HORSE, VERTICAL	
				angles	XXL0/XXL3	XXL0/XXL3	MM		
				0+2°	XXL0/XXL3	XXL0/XXL3	MM		
				dr	M. CORNMANN	8/21/90	scale 1:1		
				engr	M. SMYK	8/21/90			
				chr	M. SMYK	8/21/90			
				pppd	M. SMYK	8/21/90			
sheet	revision								
index	sheet								
								sheet 16 of 23 size A3	
								type Product Customer Drawing	

PRODUCT NO NOTE 12,13	SIZE	LAICH NOTE 8	DIM B	DIM D	TERMINAL PLATING	STYLE
65863-501	2x15	LP	1.400/35.560	.105/2.67	15u"/0.38u MIN (NOTE 17) OVER 50u"/1.27u NI	D
-502		NO			30u"/0.76u MIN (NOTE 17) OVER 50u"/1.27u NI	
-503		STD			30u"/0.76u MIN (NOTE 17) OVER 50u"/1.27u NI	
-504		LP			30u"/0.76u MIN (NOTE 17) OVER 50u"/1.27u NI	
-505		NO			30u"/0.76u MIN (NOTE 17) OVER 50u"/1.27u NI	
-506		STD			30u"/0.76u MIN (NOTE 17) OVER 50u"/1.27u NI	
-507		LP			30u"/0.76u MIN (NOTE 17) OVER 50u"/1.27u NI	
-508		NO			120u-200u"/3.04u-5.08u TIN/LEAD	NOTE 16,19
-509		STD			120u-200u"/3.04u-5.08u TIN/LEAD	NOTE 16,19
-510		LP		.105/2.67	120u-200u"/3.04u-5.08u TIN/LEAD	NOTE 16,19
-511		NO		.150/3.81	15u"/0.38u MIN (NOTE 17) OVER 50u"/1.27u NI	
-512		STD			15u"/0.38u MIN (NOTE 17) OVER 50u"/1.27u NI	
-513		LP			15u"/0.38u MIN (NOTE 17) OVER 50u"/1.27u NI	
-514		NO			30u"/0.76u MIN (NOTE 17) OVER 50u"/1.27u NI	
-515		STD			30u"/0.76u MIN (NOTE 17) OVER 50u"/1.27u NI	
-516		LP			30u"/0.76u MIN (NOTE 17) OVER 50u"/1.27u NI	
-517		NO			30u"/0.76u MIN (NOTE 17) OVER 50u"/1.27u NI	
-518		STD			30u"/0.76u MIN (NOTE 17) OVER 50u"/1.27u NI	
-519		LP			30u"/0.76u MIN (NOTE 17) OVER 50u"/1.27u NI	
-520		NO			120u-200u"/3.04u-5.08u TIN/LEAD	NOTE 16,19
-521		STD			120u-200u"/3.04u-5.08u TIN/LEAD	NOTE 16,19
-522		LP		.150/3.81	120u-200u"/3.04u-5.08u TIN/LEAD	NOTE 16,19
-523		NO		.105/2.67	15u"/0.38u MIN (NOTE 17) OVER 50u"/1.27u NI	
-524		STD			15u"/0.38u MIN (NOTE 17) OVER 50u"/1.27u NI	
-525		LP			15u"/0.38u MIN (NOTE 17) OVER 50u"/1.27u NI	
-526		NO			30u"/0.76u MIN (NOTE 17) OVER 50u"/1.27u NI	
-527		STD			30u"/0.76u MIN (NOTE 17) OVER 50u"/1.27u NI	
-528		LP		.105/2.67	30u"/0.76u MIN (NOTE 17) OVER 50u"/1.27u NI	
-529		NO		.150/3.81	15u"/0.38u MIN (NOTE 17) OVER 50u"/1.27u NI	
-530		STD		.150/3.81	15u"/0.38u MIN (NOTE 17) OVER 50u"/1.27u NI	
-531		LP		.150/3.81	15u"/0.38u MIN (NOTE 17) OVER 50u"/1.27u NI	
-532		NO		.675/17.15	15u"/0.38u MIN (NOTE 17) OVER 50u"/1.27u NI	
-533		STD			15u"/0.38u MIN (NOTE 17) OVER 50u"/1.27u NI	
-534		LP			15u"/0.38u MIN (NOTE 17) OVER 50u"/1.27u NI	
65863-535	2x15	NO	1.400/35.560	.675/17.15	30u"/0.76u MIN (NOTE 17) OVER 50u"/1.27u NI	D

mat'l code	surface	tolerance	projection	product family
ltr ecn no	ISO 1302	ISO 1101		QUICKIE
date				
angles	tolerances unless otherwise specified			
linear	XXL05/XXL03	XXL07/XXL03		
0+2°	XXXL0020/XXXL051			
dr	M. CORNMANN	8/21/90		
engr	M. SMYK	8/21/90		
chr	M. SMYK	8/21/90		
pppd	M. SMYK	8/21/90		
sheet	revision			
index	sheet			
title	HEADER, QUICKIE			
SEA-HORSE, VERTICAL				
sheet no	65863			
sheet of	23			
size	A3			
type	Product Customer Drawing			

Amphenol FCI

© 2016 AFCI

form: A3-2016-02-24

1 2 3 4 5 6

PDS: Rev: BG

STATUS: Released

Printed: Jan 23, 2017

PRODUCT NO NOTE 12.13	SIZE	LAICII NOTE 8	DIM B	DIM D	TERMINAL PLATING	STYLE
65863-536	2x15	STD	1.400/35.560	.675/17.15	30u"/0.76u MIN (NOTE 17) OVER 50u"/1.27u NI	D
-537		LP			30u"/0.76u MIN (NOTE 17) OVER 50u"/1.27u NI	
-538		NO			30u"/0.76u MIN (NOTE 17) OVER 50u"/1.27u NI	
-539		STD			30u"/0.76u MIN (NOTE 17) OVER 50u"/1.27u NI	
-540		LP			30u"/0.76u MIN (NOTE 17) OVER 50u"/1.27u NI	
-541		NO			120u-200u"/3.04u-5.08u TIN/LEAD	NOTE 16.19
-542		STD			120u-200u"/3.04u-5.08u TIN/LEAD	NOTE 16.19
-543	2x15	LP	1.400/35.560	.675/17.15	120u-200u"/3.04u-5.08u TIN/LEAD	NOTE 16.19
-544	2x22	NO	2.100/53.340	.105/2.67	15u"/0.38u MIN (NOTE 17) OVER 50u"/1.27u NI	
-545		STD			15u"/0.38u MIN (NOTE 17) OVER 50u"/1.27u NI	
-546		LP			15u"/0.38u MIN (NOTE 17) OVER 50u"/1.27u NI	
-547		NO			30u"/0.76u MIN (NOTE 17) OVER 50u"/1.27u NI	
-548		STD			30u"/0.76u MIN (NOTE 17) OVER 50u"/1.27u NI	
-549		LP			30u"/0.76u MIN (NOTE 17) OVER 50u"/1.27u NI	
-550		NO			30u"/0.76u MIN (NOTE 17) OVER 50u"/1.27u NI	
-551		STD			30u"/0.76u MIN (NOTE 17) OVER 50u"/1.27u NI	
-552		LP			30u"/0.76u MIN (NOTE 17) OVER 50u"/1.27u NI	
-553		NO			120u-200u"/3.04u-5.08u TIN/LEAD	NOTE 16.19
-554		STD			120u-200u"/3.04u-5.08u TIN/LEAD	NOTE 16.19
-555		LP		.105/2.67	120u-200u"/3.04u-5.08u TIN/LEAD	NOTE 16.19
-556		NO		.150/3.81	15u"/0.38u MIN (NOTE 17) OVER 50u"/1.27u NI	
-557		STD			15u"/0.38u MIN (NOTE 17) OVER 50u"/1.27u NI	
-558		LP			15u"/0.38u MIN (NOTE 17) OVER 50u"/1.27u NI	
-559		NO			30u"/0.76u MIN (NOTE 17) OVER 50u"/1.27u NI	
-560		STD			30u"/0.76u MIN (NOTE 17) OVER 50u"/1.27u NI	
-561		LP			30u"/0.76u MIN (NOTE 17) OVER 50u"/1.27u NI	
-562		NO			30u"/0.76u MIN (NOTE 17) OVER 50u"/1.27u NI	
-563		STD			30u"/0.76u MIN (NOTE 17) OVER 50u"/1.27u NI	
-564		LP			30u"/0.76u MIN (NOTE 17) OVER 50u"/1.27u NI	
-565		NO			120u-200u"/3.04u-5.08u TIN/LEAD	NOTE 16.19
-566		STD			120u-200u"/3.04u-5.08u TIN/LEAD	NOTE 16.19
-567		LP		.150/3.81	120u-200u"/3.04u-5.08u TIN/LEAD	NOTE 16.19
-568		NO		.105/2.67	15u"/0.38u MIN (NOTE 17) OVER 50u"/1.27u NI	
-569		STD		.105/2.67	15u"/0.38u MIN (NOTE 17) OVER 50u"/1.27u NI	
65863-570	2x22	LP	2.100/53.340	.105/2.67	15u"/0.38u MIN (NOTE 17) OVER 50u"/1.27u NI	D



mat'l code		surface		tolerance		projection		product family	
ltr	ecn no	dr	date	ISO 1302	ISO 1101	MM	MM	HEADER, QUICKIE	QUICKIE
BC				tolerances unless otherwise specified	XXXX.005/XXXX.01	XXXX.005/XXXX.01	XXXX.005/XXXX.01	SEA-HORSE, VERTICAL	
				angles	linear	angular	scale 1:1		
				0±2°					
				dr	M. CORNMANN	8/21/90			
				engr	M. SMYK	8/21/90			
				chr	M. SMYK	8/21/90			
				pppd	M. SMYK	8/21/90			
sheet	revision								
index	sheet								
sheet no		drawing no		sheet 18 of 23 size		drawing type		customer drawing	
		65863		A3		Product Customer		Drawing	

PRODUCT NO NOTE 12,13	SIZE	LATCH NOTE 8	DIM B	DIM D	TERMINAL PLATING	STYLE
65863-571	2x22	NO	2.100/53.340	.105/2.67	30u"/0.76u MIN (NOTE 17) OVER 50u"/1.27u NI	D
-572		STD		.105/2.67	30u"/0.76u MIN (NOTE 17) OVER 50u"/1.27u NI	
-573		LP		.105/2.67	30u"/0.76u MIN (NOTE 17) OVER 50u"/1.27u NI	
-574		NO		.150/3.81	15u"/0.38u MIN (NOTE 17) OVER 50u"/1.27u NI	
-575		STD		.150/3.81	15u"/0.38u MIN (NOTE 17) OVER 50u"/1.27u NI	
-576		LP		.150/3.81	15u"/0.38u MIN (NOTE 17) OVER 50u"/1.27u NI	
-577		NO		.675/17.15	15u"/0.38u MIN (NOTE 17) OVER 50u"/1.27u NI	
-578		STD			15u"/0.38u MIN (NOTE 17) OVER 50u"/1.27u NI	
-579		LP			15u"/0.38u MIN (NOTE 17) OVER 50u"/1.27u NI	
-580		NO			30u"/0.76u MIN (NOTE 17) OVER 50u"/1.27u NI	
-581		STD			30u"/0.76u MIN (NOTE 17) OVER 50u"/1.27u NI	
-582		LP			30u"/0.76u MIN (NOTE 17) OVER 50u"/1.27u NI	
-583		NO			30u"/0.76u MIN (NOTE 17) OVER 50u"/1.27u NI	
-584		STD			30u"/0.76u MIN (NOTE 17) OVER 50u"/1.27u NI	
-585		LP			30u"/0.76u MIN (NOTE 17) OVER 50u"/1.27u NI	
-586		NO			120u-200u"/3.04u-5.08u TIN/LEAD	
-587		STD			120u-200u"/3.04u-5.08u TIN/LEAD	
-588	2x22	LP	2.100/53.340	.675/17.15	120u-200u"/3.04u-5.08u TIN/LEAD	
-589	2x25	STD	2.400/60.960	.150/3.81	30u"/0.76u MIN (NOTE 17) OVER 50u"/1.27u NI	
-590				.105/2.67		
-591				.150/3.81		
-592	2x25	NO	2.400/60.960		30u"/0.76u MIN (NOTE 17) OVER 50u"/1.27u NI	
-593	2x13	LP	1.200/30.480		50u"/1.27u MIN (NOTE 17) OVER 50u"/1.27u NI	
-594	2x13	NO	1.200/30.480	.150/3.81		
-595	2x10	NO	.900/22.860	.150/3.81		
-596	2x10	STD	.900/22.860	.150/3.81		
-597	2x5	LP	.400/10.160	.150/3.81		
-598	2x5	NO	.400/10.160	.150/3.81		
-599	2x5	LP	.400/10.160	.675/17.15		
-600	2x5	NO	.400/10.160	.675/17.15	50u"/1.27u MIN (NOTE 17) OVER 50u"/1.27u NI	A
-601	2x32	NO	3.100/78.740	.105/2.67	15u"/0.38u MIN (NOTE 17) OVER 50u"/1.27u NI	D
-602	2x32	STD	3.100/78.740	.105/2.67	15u"/0.38u MIN (NOTE 17) OVER 50u"/1.27u NI	D
-603	2x32	LP	3.100/78.740	.105/2.67	15u"/0.38u MIN (NOTE 17) OVER 50u"/1.27u NI	D
65863-604	2x32	NO	3.100/78.740	.105/2.67	30u"/0.76u MIN (NOTE 17) OVER 50u"/1.27u NI	D

mat'l code	surface	tolerance	projection	product family
ISD 1302	ISD 1302	ISD 1101		QUICKIE
ISD 1101	ISD 1101	ISD 1101		

ltr	ecn no	dr	date	surface	tolerance	projection	product family
BC				ISD 1302	ISD 1101		QUICKIE
				ISD 1101	ISD 1101		

sheet	revision	sheet	index	sheet	revision	sheet	index

mat'l code	surface	tolerance	projection	product family
ISD 1302	ISD 1302	ISD 1101		QUICKIE
ISD 1101	ISD 1101	ISD 1101		

title	sheet no	sheet19 of 23size
HEADER, QUICKIE SEA-HORSE, VERTICAL	65863	A3
Amphenol FCI	Product Customer	Drawing

PRODUCT NO NOTE 12,13	SIZE	LAICH NOTE 8	DIM B	DIM D	TERMINAL PLATING	STYLE
65863-605	2X32	STD	3.100/78.740	.105/2.67	30u"/0.76u MIN (NOTE 17) OVER 50u"/1.27u NI	D
-606		LP			30u"/0.76u MIN (NOTE 17) OVER 50u"/1.27u NI	
-607		NO			30u"/0.76u MIN (NOTE 17) OVER 50u"/1.27u NI	
-608		STD			30u"/0.76u MIN (NOTE 17) OVER 50u"/1.27u NI	
-609		LP			30u"/0.76u MIN (NOTE 17) OVER 50u"/1.27u NI	
-610		NO			120u-200u"/3.04u-5.08u TIN/LEAD	NOTE 16,19
-611		STD			120u-200u"/3.04u-5.08u TIN/LEAD	NOTE 16,19
-612	2X32	LP	3.100/78.740	.105/2.67	120u-200u"/3.04u-5.08u TIN/LEAD	NOTE 16,19
-613	2X20	NO	1.900/48.260	.105/2.67	30u"/0.76u MIN (NOTE 17) OVER 50u"/1.27u NI	
-614	2X20	STD	1.900/48.260	.105/2.67	30u"/0.76u MIN (NOTE 17) OVER 50u"/1.27u NI	
-615	2X20	LP	1.900/48.260	.105/2.67	30u"/0.76u MIN (NOTE 17) OVER 50u"/1.27u NI	
-616	2X25	NO	2.400/60.960	.450/11.43	30u"/0.76u MIN (NOTE 17) OVER 50u"/1.27u NI	
-617	2X17	NO	1.600/40.640	.150/3.81	50u"/1.27u MIN (NOTE 17) OVER 50u"/1.27u NI	
-618	2X17	STD	1.600/40.640	.150/3.81	50u"/1.27u MIN (NOTE 17) OVER 50u"/1.27u NI	
-619	2X17	LP	1.600/40.640	.150/3.81	50u"/1.27u MIN (NOTE 17) OVER 50u"/1.27u NI	
-620	2X32	STD	3.100/78.740	.105/2.67	30u"/0.76u MIN (NOTE 17) OVER 50u"/1.27u NI	
-621	2X32	NO	3.100/78.740			
-622	2X15	STD	1.400/35.560			
-623	2X15	NO	1.400/35.560			
-624	2X22	STD	2.100/53.340			
-625	2X22	NO	2.100/53.340	.105/2.67	30u"/0.76u MIN (NOTE 17) OVER 50u"/1.27u NI	
-626	2X25	NO	2.400/60.960	.150/3.81	50u"/1.27u MIN (NOTE 17) OVER 50u"/1.27u NI	
-627	2X25	STD	2.400/60.960			
-628	2X25	LP	2.400/60.960			
-629	2X20	NO	1.900/48.260			
-630	2X20	STD	1.900/48.260			
-631	2X20	LP	1.900/48.260	.150/3.81	50u"/1.27u MIN (NOTE 17) OVER 50u"/1.27u NI	
-632	2X20	STD	1.900/48.260	.105/2.67	30u"/0.76u MIN (NOTE 17) OVER 50u"/1.27u NI	
-633	2X8	STD	.700/17.78	.150/3.81	50u"/1.27u MIN (NOTE 17) OVER 50u"/1.27u NI	D
-634	2X7	NO	.600/15.24	.236/5.99	30u"/0.76u MIN (NOTE 17) OVER 50u"/1.27u NI	C
-635	2X5	STD	.400/10.16	.520/13.21	30u"/0.76u MIN (NOTE 17) OVER 50u"/1.27u NI	A
-636	2X8	NO	.700/17.78	.150/3.81	30u"/0.76u MIN (NOTE 17) OVER 50u"/1.27u NI	D
-637	2X8	STD	.700/17.78	.150/3.81	30u"/0.76u MIN (NOTE 17) OVER 50u"/1.27u NI	D
-638	2X10	NO	.800/20.32	.150/3.81	30u"/0.76u MIN (NOTE 17) OVER 50u"/1.27u NI	D
65863-639	2X10	STD	.800/20.32	.150/3.81	30u"/0.76u MIN (NOTE 17) OVER 50u"/1.27u NI	D

CUSTOMER SPECIAL

PRODUCT NO	SIZE	LAICH	DIM B	DIM D	TERMINAL PLATING	STYLE
65863-605	2X32	STD	3.100/78.740	.105/2.67	30u"/0.76u MIN (NOTE 17) OVER 50u"/1.27u NI	D

mat'l code	surface	tolerance	projection	product family
ISD 1302	linear	ISO 1101	MM	HEADER, QUICKIE
ISD 1101	tolerances unless otherwise specified	XXH0/XXL3	MM	SEA-HORSE, VERTICAL
angles	linear	XXL05/XXL13	MM	sheet20 of 23size
0+2°	linear	XXXH000/XXXH051	scale 1:1	65863
dr	M. CORNMANN	8/21/90	Amphenol FCI	type Product Customer Drawing
engr	M. SMYK	8/21/90		
chr	M. SMYK	8/21/90		
pppd	M. SMYK	8/21/90		
sheet revision				
index sheet				

1 2 3 4 5 6

PRODUCT NO NOTE 12.13	SIZE	LATCH NOTE 8	DIM B	DIM D	TERMINAL PLATING	STYLE	PIN MISSING
65863-640	2x12	NO	1.100/ 27.94	.150/3.81	30u"/0.76u MIN (NOTE 17) OVER 50u"/1.27u NI	D	NONE
-641	2x12	STD	1.100/ 27.94				
-642	2x15	NO	1.400/ 35.56				
-643	2x15	STD	1.400/ 35.56				
-644	2x30	NO	2.900/ 73.66				
-645	2x30	STD	2.900/ 73.66				
-646	2x25	STD	2.400/ 60.96				
-647	2x5	STD	.400/ 10.16			A	
-648	2x7	STD	.600/ 15.24			C	
-649	2x13	STD	1.120/ 30.48			D	
-650	2x17	STD	1.600/ 40.64			D	
-651	2x5	NO	.400/ 10.16			A	
-652	2x7	NO	.600/ 15.24			C	
-653	2x13	NO	1.120/ 30.48			D	
-654	2x17	NO	1.600/ 40.64	.150/3.81		D	
-655	2x5	STD	.400/ 10.16	.175/4.45		A	
-656	2x7		.600/ 15.24			C	
-657	2x13		1.120/ 30.48			D	
-658	2x17	STD	1.600/ 40.64	.175/4.45		D	
-659	2x5	NO	.400/ 10.16	.250/6.35		A	
-660	2x7	LP	.600/ 15.24	.236/5.99	30u"/0.76u MIN (NOTE 17) OVER 50u"/1.27u NI	C	NONE
-715	2x8	LP	.700/ 17.78	.150/3.81	30u"/0.76u MIN (NOTE 17) OVER 50u"/1.27u NI	D	3
-716	2x8	LP	.700/ 17.78	.150/3.81	30u"/0.76u MIN (NOTE 17) OVER 50u"/1.27u NI	D	14
-717	2x20	LP	1.900/48.26	.150/3.81	30u"/0.76u MIN (NOTE 17) OVER 50u"/1.27u NI	D	20
-717S	2x20	LP	1.900/48.26	.150/3.81	30u"/0.76u MIN (NOTE 17) OVER 50u"/1.27u NI	D	20
-733	2x17	LP	1.600/ 40.14	.105/2.67	50u"/1.27u MIN (NOTE 17) OVER 50u"/1.27u NI	D	5
-734	2x17	STD	1.600/ 40.64	.105/2.67	50u"/1.27u MIN (NOTE 17) OVER 50u"/1.27u NI	D	5
-735	2x10	LP	.900/ 22.86	.150/3.81	30u"/0.76u MIN (NOTE 17) OVER 50u"/1.27u NI	D	16
-736	2x10	LP	.900/ 22.86		30u"/0.76u MIN (NOTE 17) OVER 50u"/1.27u NI	D	19
-737	2x5	LP	.400/ 10.16		30u"/0.76u MIN (NOTE 17) OVER 50u"/1.27u NI	A	10
-738	2x20	LP	1.900/48.26		30u"/0.76u MIN (NOTE 17) OVER 50u"/1.27u NI	D	8
-739	2x25	LP	2.400/60.96			D	25
-740	2x12	LP	1.100/ 27.94			D	20
-741	2x17	LP	1.600/ 40.64			D	5
-741S	2x17	LP	1.600/ 40.64			D	5
-742	2x5	LP	.400/ 10.16			A	2
65863-743	2x17	LP	1.600/ 40.64	.150/3.81	30u"/0.76u MIN (NOTE 17) OVER 50u"/1.27u NI	D	3

NOTE 18		NOTE 18	
---------	--	---------	--

mat'l code		surface		tolerance		projection		product family	
ltr	ecrn no	dr	date	ISO 1302	ISO 1101	MM	MM	HEADER, QUICKIE	QUICKIE
BC				tolerances unless otherwise specified				SEA-HORSE, VERTICAL	
				angles	linear	XXL05/XXL03	XXL07/XXL03		
				0±2°		XXXL0020	XXXL0501		
				dr	M. CORNMANN	8/21/90			
				engr	M. SMYK	8/21/90			
				chr	M. SMYK	8/21/90			
				pppd	M. SMYK	8/21/90			
sheet	revision			Amphenol FCI		scale 1:1		dmg no	sheet21 of 23size
index	sheet			Amphenol FCI		type Product Customer Drawing		65863	A3

form: A3-2016-02-24 1 2 3 4 5 6

PDS: Rev :B6

STATUS:Released

Printed: Jan 23, 2017

PRODUCT NO NOTE 12,13	SIZE	LAUNCH NOTE 8	DIM B	DIM D	TERMINAL PLATING	STYLE	MISSING PIN
65863-744	2x17	LP	1.600/ 40.64	.150/3.81	30u"/0.76u MIN (NOTE 17) OVER 50u"/1.27u NI	D	3, 5
65863-744S	2x17	LP	1.600/ 40.64	.150/3.81	30u"/0.76u MIN (NOTE 17) OVER 50u"/1.27u NI	D	3, 5
							NOTE 18
65863-843	2x5	N/A	.400/ 10.16	.120/3.05	15u"/0.38u MIN (NOTE 17) OVER 50u"/1.27u NI	A	
-844	2x7		.600/ 15.24			C	
-845	2x10		.900/ 22.86			D	
-846	2x15		1.400/ 35.56				
-847	2x17		1.600/ 40.64				
-848	2x20		1.900/ 48.26				
-849	2x25		2.400/ 60.96				
-850	2x30	N/A	2.900/ 73.66			D	
-851	2x5	STD	.400/ 10.16			A	
-852	2x7		.600/ 15.24			C	
-853	2x10		.900/ 22.86			D	
-854	2x15		1.400/ 35.56				
-855	2x17		1.600/ 40.64				
-856	2x20		1.900/ 48.26				
-857	2x25		2.400/ 60.96				
-858	2x30	STD	2.900/ 73.66			D	
-859	2x5	L/P	.400/ 10.16			A	
-860	2x7		.600/ 15.24			C	
-861	2x10		.900/ 22.86			D	
-861S	2x10		.900/ 22.86			D	
-862	2x15		1.400/ 35.56				
-863	2x17		1.600/ 40.64				
-864	2x20		1.900/ 48.26				
-865	2x25		2.400/ 60.96				
65863-866	2x30	L/P	2.900/ 73.66	.120/3.05		D	
65863-867S	2x12	L/P	1.100/ 27.94	.105/2.67	15u"/0.38u MIN (NOTE 17) OVER 50u"/1.27u NI	D	24
65863-868S	2x12	L/P	1.100/ 27.94	.105/2.67	30u"/0.76u MIN (NOTE 17) OVER 50u"/1.27u NI	D	24

NOTE 18

NOTE 18

mat'l code		surface		tolerance		projection		product family	
ltr	ecn no	dr	date	ISD 1302	ISD 405	ISD 1101		QUICKIE	QUICKIE
BC				tolerances unless otherwise specified			MM	HEADER, QUICKIE	
				angles	linear	XXL05/XXL03		SEA-HORSE, VERTICAL	
				0±2°	XXXL000/XXXL051	scale 1:1			
		dr	M. CORNMANN	8/21/90					
		engr	M. SMYK	8/21/90					
		chr	M. SMYK	8/21/90					
		pppd	M. SMYK	8/21/90					
sheet	revision								
index	sheet								

sheet no	revision		
index	sheet		
title		product family	
HEADER, QUICKIE		QUICKIE	
SEA-HORSE, VERTICAL			
dwg no	sheet	of	total
65863	22	of	23
type		Product Customer Drawing	
size		A3	

