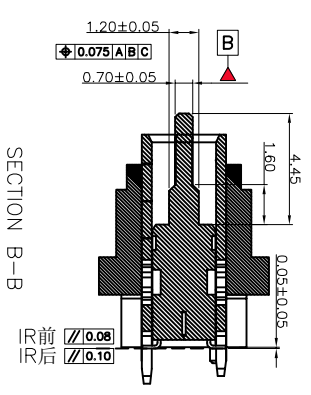
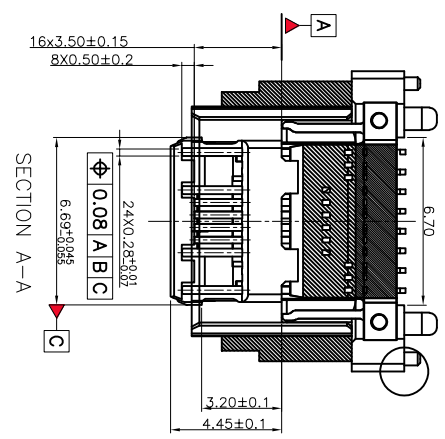
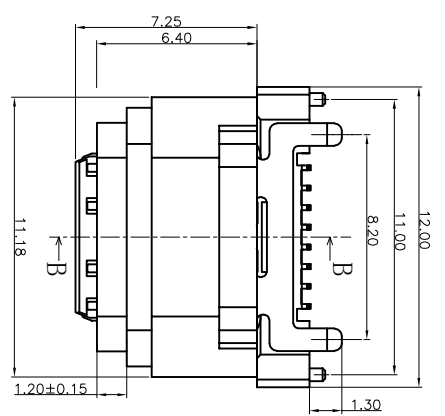
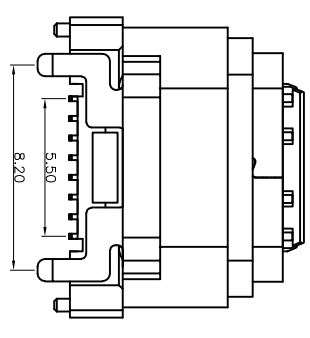
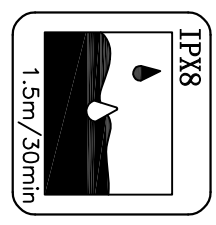
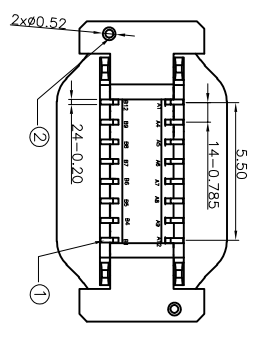
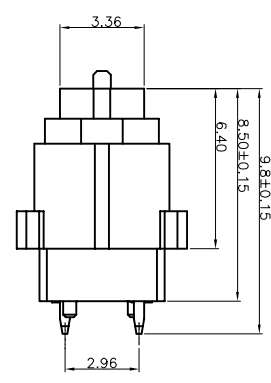
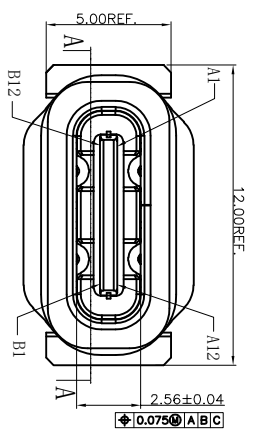


CUSTOMER

REV.	ECN NO.	DESCRIPTION	DATE	DESIGN



- NOTE:
- MATERIAL:
 - INSULATOR: HIGH TEMPERATURE PLASTIC UL 94 V-0; Black Color
 - CONTACT: C7025 (T=0, 12mm)
 - SHELL: STAINLESS STEEL (T=0, 40mm)
 - MID PLATE: STAINLESS STEEL (T=0, 15mm)
 - ELECTRICAL CHARACTERISTICS:
 - CONTACT RESISTANCE: 40mΩ Max FOR INITIAL, 10mΩ CHANGE AFTER TEST MEASURE AT 20mv, 100mA
 - CONTACT CURRENT RATING: 5A FOR COLLECTIVELY POWER SUPPLY P/N(P/N1, A4, A9, A12, B1, B4, B9, B12); 1.25A FOR VCONN PINS; 0.25A FOR OTHER SIGNAL PIN.
 - DIELECTRIC WITHSTANDING VOLTAGE: 100V AC R.M.S.
 - INSULATION RESISTANCE 100MΩ Min
 - OPERATING TEMPERATURE: -40° C ~ 85° C
 - MECHANICAL CHARACTERISTICS:
 - MATING FORCE: 5*20 N
 - UNMATED FORCE: 8*20N INITIAL TEST; 6*20N DURABILITY AFTER TEST
 - DURABILITY: 10,000 CYCLES
 - PLATING
 - TERMINAL CONTACT: Au 3μ" PLATING ON CONTACT AREA; TIN 80μ" Min TING ON SOLDER TAIL; Ni 60μ" Min UNDERPLATING OVERALL
 - SHELL: 60μ" Min. NICKEL AL. OVER.
 - MID PLATE: CLEAN



ISO TYPE-C PULL-RAISED HERMETIC INTERFACE PIN ASSIGNMENTS

Pin Name	Description	Pin Name	Description
A1 (GND)	Ground return	B12 (GND)	Ground return
A4 (Vcc)	Bus Power	B9 (Vcc)	Bus Power
A5 (CC1 Channel)	Positive half of the USB 2.0 differential pair-Fraction 1	B8 (SMB2 Standard (usb2B))	Standard (usb2B)
A6 (Dn1)	Negative half of the USB 2.0 differential pair-Fraction 1	B2 (Dn2)	Negative half of the USB 2.0 differential pair-Fraction 2
A7 (Dp1)	Positive half of the USB 2.0 differential pair-Fraction 1	B5 (Dp2)	Positive half of the USB 2.0 differential pair-Fraction 2
A8 (SMB1 Standard (usb2B))	Standard (usb2B)	B6 (CC2 Channel)	Channel
A9 (Vcc)	Bus Power	B4 (Vcc)	Bus Power
A12 (GND)	Ground return	B11 (GND)	Ground return

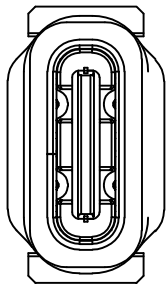
NO.	DESCRIPTION	MATERIAL	REMARKS	QTY	批零
1	HOUSING	LCP UL94V-0	LCP BLACK UL94V-0	1PCS	
2	CONTACT	C7025 T=0,12mm	NO PLATING ON CONTACT AREA IN BOARD MOUNTING TO AVOID PLATING ON CONTACT AREA	1SET	
3	LATCH	SUS304 T=0,15mm	NO PLATED	1PCS	48H
4	SHELL	SUS304 T=0,40mm	Ni 50μ" Min Plated	1PCS	
5	QAP	LCP 6007AS UL94V-0	BLACK	1PCS	
6	焊盘	PA46	BLACK	1PCS	

TOLERANCE		NAME (INTENDED USE)	
XX ±0.30	X ±10°	CUSTOMER DRAWING	
XXX ±0.20	X' ± 8°	PART NO. FY23-012TC161F485-01	
XX ±0.10	XX' ± 5°	TITLE: CP 16P防水立贴8.5	
UNITS	mm	DRAWG NO. FY23-012TC161F485-01	
MATERIAL	-----	SCALE SHEET REV. A	
FINISH	-----	APPD: ZXM	

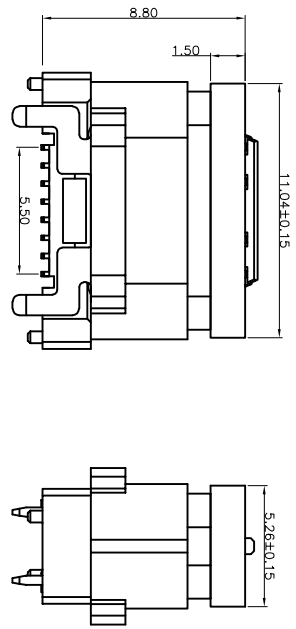
NO.	DESCRIPTION	MATERIAL	REMARKS	QTY	批零
1	HOUSING	LCP UL94V-0	LCP BLACK UL94V-0	1PCS	
2	CONTACT	C7025 T=0,12mm	NO PLATING ON CONTACT AREA IN BOARD MOUNTING TO AVOID PLATING ON CONTACT AREA	1SET	
3	LATCH	SUS304 T=0,15mm	NO PLATED	1PCS	48H
4	SHELL	SUS304 T=0,40mm	Ni 50μ" Min Plated	1PCS	
5	QAP	LCP 6007AS UL94V-0	BLACK	1PCS	
6	焊盘	PA46	BLACK	1PCS	

TOLERANCE		NAME (INTENDED USE)	
XX ±0.30	X ±10°	CUSTOMER DRAWING	
XXX ±0.20	X' ± 8°	PART NO. FY23-012TC161F485-01	
XX ±0.10	XX' ± 5°	TITLE: CP 16P防水立贴8.5	
UNITS	mm	DRAWG NO. FY23-012TC161F485-01	
MATERIAL	-----	SCALE SHEET REV. A	
FINISH	-----	APPD: ZXM	

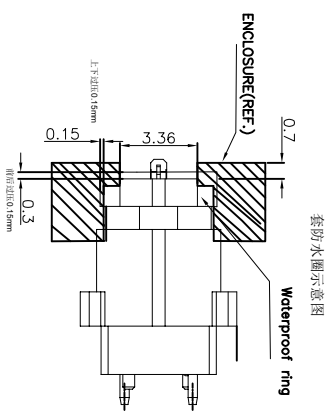
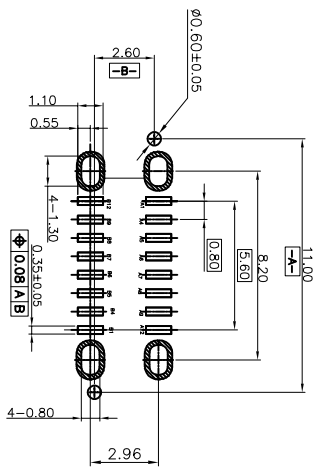
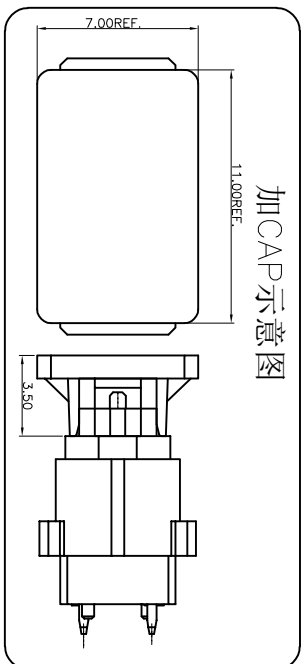
CUSTOMER



加防水圈示意图



REV.	ECN NO.	DESCRIPTION	DATE	DESIGN

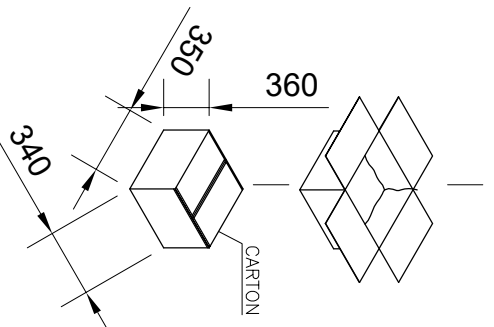
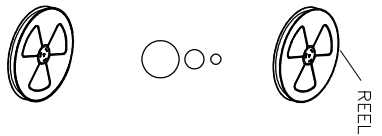
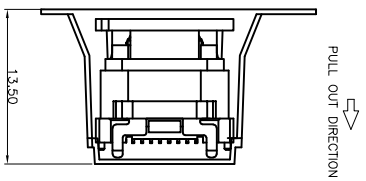
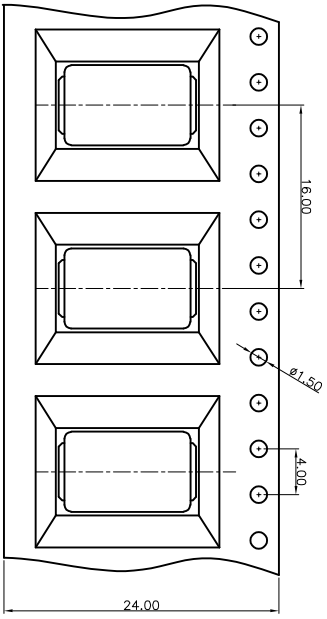
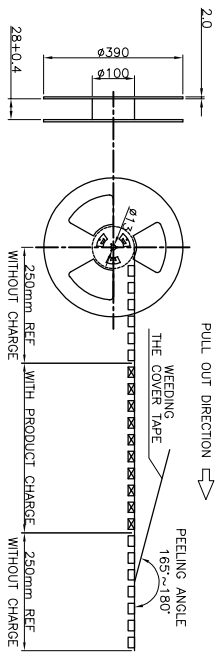


TOLERANCE		NAME(INTENDED USE)	
X.X ±0.30	X.* ±10'	CUSTOMER DRAWING	
.XX ±0.20	.X.* ± 8'	PART NO.	TITLE:
.XXX ±0.10	.XX.* ± 5'	FY23-012TC161F485-01	CF 16P防水立贴8.5
UNITS	mm	DESIGN:	ZXM
MATERILA	----	CHED:	
FINISH	-----	APPD:	
DRAWNG NO.		DRAWNG NO.	
FY23-012TC161F485-01		FY23-012TC161F485-01	
SCALE		SCALE	
1:1		1/2	
SHEET		SHEET	
1/2		1/2	
REV.		REV.	
A		A	

FIVOU 广东富盈兴实业精密科技实业有限公司
Guangdong FIVOU Precision Electronic Technology Co.,LTD.

CUSTOMER

REV.	ECN NO.	DESCRIPTION	DATE	DESIGN



NOTE:
1. QUANTITY: 300 PCS/REEL, 3300PCS/CARTON.

300	11	3300
PCS/卷	卷/箱	箱

- 注意:
1. 材料:
纸箱: 纤维板, 瓦楞, 双层壁。
胶带: 聚苯乙烯, 耐热温度: 120°C, 白。
卷筒: 聚苯乙烯, 耐热温度: 70°C, 蓝色。
包装: 聚乙烯, 耐热温度: 100°C。
 2. 剥离强度: 0.1 ~ 1.3 N(10 ~ 130克)
 3. 剥离速度: 300mm /min。
 4. 每个袋子都应包括干燥剂*2。
 5. 外箱上贴号物料标签及RHOS标签
 6. 同一产品只能装同一纸箱, 不允许其它产品;

TOLERANCE		NAME (INTENDED USE)		DRAWG NO.	
X.X	±0.30	X.X	±10°	FY23-012TC161F485-01	
XX	±0.20	X.X	±8°	FY23-012TC161F485-01	
.XXX	±0.10	.XX	±5°	CF 16P防水立贴8.5	
UNITS	mm	DESIGN:	ZXM	SCALE 1:1	
MATERILA	---	CHED:	---	SHEET 1/2	
FINISH	---	APPD:	---	REV. A	

FY23-012TC161F485-01
Guangdong FY23 Precision Electronic Technology Co., Ltd.

6
5
4
3
2
1

A
B
C
D
E